

morsetti per autocentranti
top jaws for self centering chucks

accessori per macchine utensili
equipments for machine tools

catalogo generale
general catalogue



passion for clamping

www.cdmeccanica.it



CERTIFICATE ISO 9001:2015



Hereby Certifies that the Management System of the Company:
Con la presente Certifica che il Sistema di Gestione della Società:



CDMeccanica s.r.l.

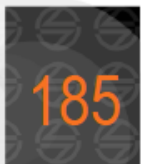
Via Caduti sul Lavoro, 661
41058 Vignola (MO)
Italy

Has been evaluated by the Certification Body ISONIKE and found conforming to the requirements of the
aforementioned standard for the following scope of activities:

È stato valutato dall'Organismo di Certificazione ISONIKE ed è risultato conforme ai requisiti della suddetta norma
per il seguente scopo di attività:

Design and production of metal components
Progettazione e produzione di componenti metallici

CERTIFICATE NR



Initial Certification Date: 08/02/2023

Data di Certificazione iniziale:

Certificate Expiry Date: 08/02/2026

Data di scadenza del Certificato:

Unique Identification Code (UID): 9diVivWrKUmKzccDYz543

Codice di identificazione unico (UID):

Stefanos Spanos

Director



This certificate is only valid provided that the Company complies with ISONIKE Ltd Certification Policy; this also requires the successful conduct of the
surveillance audits in accordance with the 3 year audit program. Validation of the certificates is provided through scanning the Quick Response (QR) Code
shown above combined with the Unique Identification (UID), or by contacting ISONIKE Ltd at the contact details shown below

This Certificate remains a property of ISONIKE Ltd and must be returned to the Certification Body upon request

Certificato

CDMeccanica, only quality

Dal 2009 la ditta **CDMeccanica** produce e commercializza attrezzature per macchine utensili progettati dall'azienda o creati su disegno del cliente.

I prodotti offerti sono: Morsetti teneri per autocentranti - Accessori per macchine utensili. L'assistenza tecnica e post-vendita viene come sempre assicurata da personale qualificato e responsabile, attraverso un attento controllo di ogni processo produttivo, dalla scelta dei materiali fino al prodotto finito, con un costante impegno rivolto alla soddisfazione del cliente.

CDMeccanica ringrazia i clienti che hanno sempre scelto questi prodotti e che continueranno a sceglierli in futuro.

Since 2009 the company **CDMeccanica** produces and sells equipments for machine tools both designed by the company or upon customer's design. The products offered are:

Soft-jaws for self-centering chucks - Equipments for machine tools. Technical and after-sale assistance is, as usual, assured by qualified and responsible personnel, through a keen control of every production process, from the selection of raw materials till the end-product, with a constant engagement for the satisfaction of the customer.

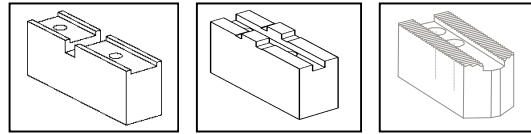
CDMeccanica thanks all customers who always choose these products and will continue to do it in the future.



www.cdmeccanica.it

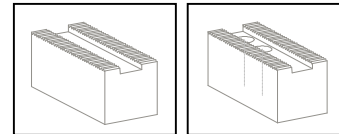


- ▶ **morsetti teneri standard in acciaio**
standard soft jaws



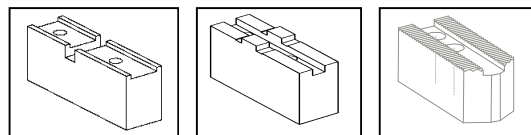
pag 06-22
28-40

- ▶ **morsetti non forati-forati (a richiesta)**
undrilled-drilled jaws (upon request)



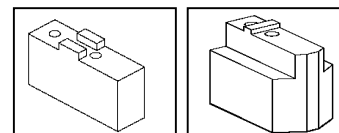
pag 23-27

- ▶ **morsetti teneri in alluminio**
standard aluminium soft jaws



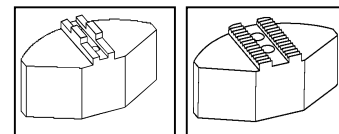
pag 41-48

- ▶ **morsetti teneri per manipolatori**
finger jaws



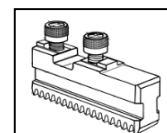
pag 49-51

- ▶ **morsetti avvolgenti**
soft full-grip jaws



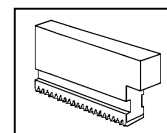
pag 52-59

- ▶ **morsetti base temprati "GBK" - "SFG"**
hardened base jaws "GBK" - "SFG"



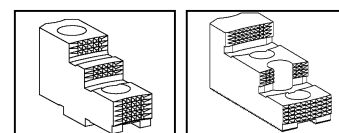
pag 61-63

- ▶ **morsetti monoblocco "UVB" - "SMB"**
monoblock jaws "UVB" - "SMB"



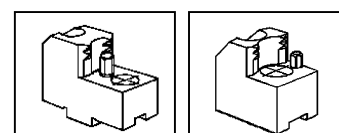
pag 64-65

- ▶ **morsetti temprati reversibili**
reversible hardened jaws



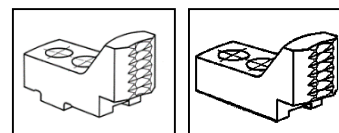
pag 66-73

- ▶ **morsetti temprati per prese esterne**
hardened jaws for external grips



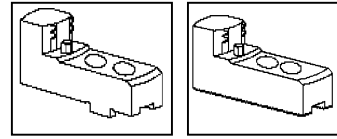
pag 74-101

- ▶ **morsetti temprati per prese di piccoli diametri**
hardened jaws for external grips, small diameters



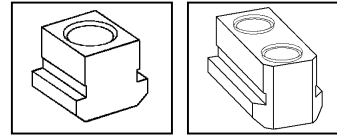
pag 102-119

▶ **morsetti temprati per prese interne**
hardened jaws for internal grips



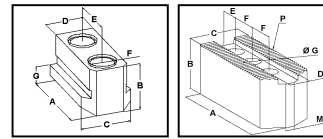
pag 120-143

▶ **tasselli singoli e doppi**
single and twin T-nuts



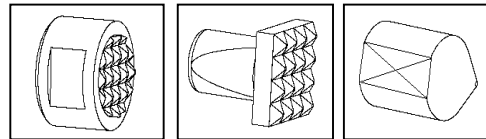
pag 144-156

▶ **disegni per morsetti e tasselli speciali**
drawings for special jaws and T-nuts



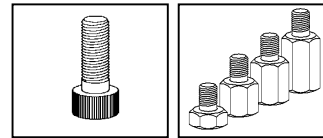
pag 157-160

▶ **inserti di presa**
grippers



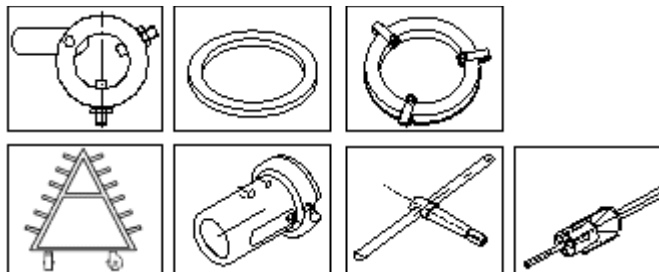
pag 161-163

▶ **viti di serraggio e appoggi**
clamping screws for jaws and bearings

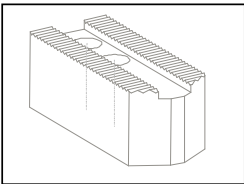


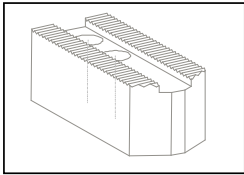
pag 164

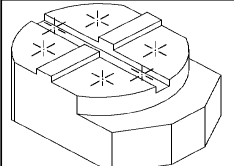
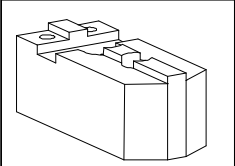
▶ **accessori**
accessories



pag 166-177

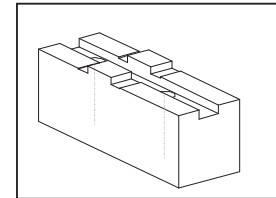
MANDRINO / chuck	PAG.	DENTATURA / pitch: 1/16"x90°- 3/32"x90°
SMW-AUTOBLOK	8-12	
BERG	10-12	
CMT	13	
FIAL	16	
FORKARDT	10-11	
GAMET	14-15	
GEIGER+HAAG	10-11	
M.P.T.-PINTO (AUTOMATICO)	16	
ROHM	15-17	
SCHUNK	10-11	

MANDRINO / chuck	PAG.	DENTATURA / pitch: 1,5x60°- 2,5x60°- 3x60°
SMW-AUTOBLOK (METRICO)	18-22	
CMT (METRICO / metric)	13	
GAMET	14-15	
GFB	22	
HOWA	18-21	
KITAGAWA	18-21	
MATSUMOTO-AUTOSTRONG-SAMCHULLY-SEOAM	18-21	
NIKKO	15	
ROHM	15	
SCHUNK	18-21	

MANDRINO / chuck	PAG.	INCASTRO A CROCE tongue & groove
AUTOBLOK		 
BH-RM	28	
TS-RM	28	
TSF/R-C	29	

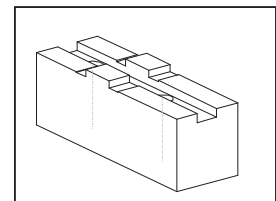
MANDRINO / chuck	PAG.	INCASTRO A CROCE tongue & groove
------------------	------	-------------------------------------

SMW- AUTOBLOK	30-35
BERG	30-33
FORKARDT	30-33
KITAGAWA	30-33
ROHM	30-35
SAMCHULLY	30-35
SCHUNK	30-33



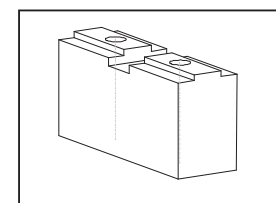
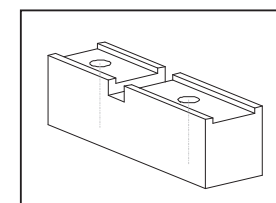
MANDRINO / chuck	PAG.	INCASTRO A CROCE ISO (AMERICAN STANDARD)
------------------	------	---

AUTOBLOK	34-35
FIAL- KENNON	34-35
BISON	34-35
LADNER- BURNER	34-35
M.P.T-PINTO	34-35
ROHM	34-35
SAMCHULLY	34-35
SCA	34-35



MANDRINO / chuck	PAG.	INCASTRO A CROCE tongue & groove
------------------	------	-------------------------------------

AMESTRA	36
SMW-AUTOBLOK	37
FIAL	36
FORKARDT	37
KENNON-COREANO	37
M.P.T-PINTO	38-39
ROHM	37
ROTOMORS	39
TOS	37
TRIBLOC (OMAP)	40



morsetti teneri standard in acciaio

standard soft jaws

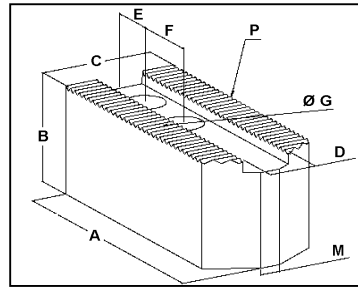
catalogo | catalogue

MATERIALE / material : S235JR (Fe37)

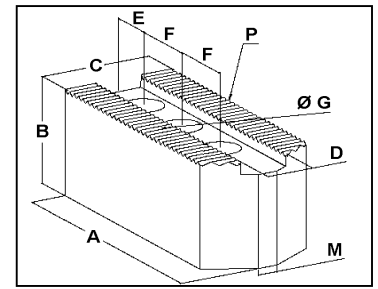
DENTATURA / pitch: 1/16"x90°
3/32"x90°

MANDRINI / chucks

SMW-AUTOBLOK

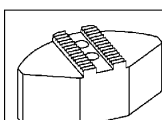


TIPO / type I

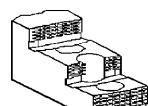


TIPO / type II

CODICE /code	Ø MAND / chuck	P	TIPO	A	B	C	D	E	F	G	M	KG
10.22.01/A	125-130	1/16"x90°	I	60	30	30	12	15	16	9	10	0,32
10.22.01/A MAT. C40	125-130	1/16"x90°	I	60	30	30	12	15	16	9	10	0,32
10.22.02/A	165	1/16"x90°	I	75	35	35	14	16	16	11	8	0,54
10.22.02/A L95			I	95	35	35	14	16	16	11	8	0,82
10.22.02/A MAT. C40			I	75	35	35	14	16	16	11	8	0,54
10.22.02/A H50			I	75	50	35	14	16	16	11	8	0,78
10.22.02/A H60			I	75	60	35	14	16	16	11	8	0,95
10.22.03/A	170-180	1/16"x90°	I	85	40	40	14	19	20	11	10	0,82
10.22.04/A	200 c14	1/16"x90°	I	95	40	40	14	20	20	11	12	0,96
10.22.05/A	200-220	1/16"x90°	I	95	40	40	17	20	23	13	12	0,96
10.22.05/A MAT. C40			I	95	40	40	17	20	23	13	12	0,96
10.22.05/A H50			I	95	50	40	17	20	23	13	12	1,18
10.22.05/A H60			I	95	60	40	17	20	23	13	12	1,42
10.22.05/A H80			I	95	80	40	17	20	23	13	12	1,92
10.22.05/A H100			I	95	100	40	17	20	23	13	12	2,4
10.22.05/A H120	I	95	120	40	17	20	23	13	12	2,9		
10.22.06/A	210-220	1/16"x90°	I	105	40	40	17	20	23	13	12	1,05
10.22.06/A C. 18	220	1/16"x90°	I	105	45	45	18	20	28	15	18	1,29
10.22.07/A 2CLD	250-315	1/16"x90°	III	120	60	60	25,5	22	34	21	\	2,6
10.22.07/A	250	1/16"x90°	I	115	50	50	21	20	30	17	20	1,76
10.22.07/A MAT. C40			I	115	50	50	21	20	30	17	20	1,76
10.22.07/A H45			I	115	45	45	21	20	30	17	18	1,4
10.22.07/A H60			I	115	60	50	21	20	30	17	20	2,1
10.22.07-8/A H80	250-350	1/16"x90°	I	125	80	50	21	20	30	17	20	3,15
10.22.07-8/A H100			I	125	100	50	21	20	30	17	20	3,9
10.22.07-8/A H120			I	125	120	50	21	20	30	17	20	4,8
10.22.07-8/A H150			I	125	150	50	21	20	30	17	20	5,8
10.22.08/A	300-350	1/16"x90°	I	130	50	50	21	22	30	17	20	2,1
10.22.08/A MAT. C40			I	130	50	50	21	22	30	17	20	2,1
10.22.08/A H60			I	130	60	50	21	22	30	17	22	2,38
10.22.08/A L150			II	150	50	50	21	22	30	17	20	2,2
10.22.09/A	400	1/16"x90°	I	145	60	60	21	25	30	17	22	3,44
10.22.09/A H80			I	145	80	60	21	25	30	17	22	4,65
10.22.09/A H100			I	145	100	60	21	25	30	17	22	5,83
10.22.09/A H120			I	145	120	60	21	25	30	17	22	7,01
10.22.09/A C. 25,5	400-500	3/32"x90°	I	145	60	60	25,5	25	38	21	22	3,4
10.22.10/A	500	3/32"x90°	V	170	60	60	28	27	38	21	\	3,62
10.22.10/A C. 25,5	500	3/32"x90°	V	170	60	60	25,5	27	38	21	\	3,62
10.22.11/A	500-630	3/32"x90°	IV	160	70	70	28	25	38	21	\	5,1
10.22.11/A C. 25,5	500-630	3/32"x90°	IV	160	70	70	25,5	25	38	21	\	5,1



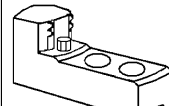
Pag. 54



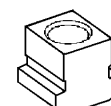
Pag. 68



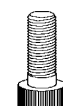
Pag. 76



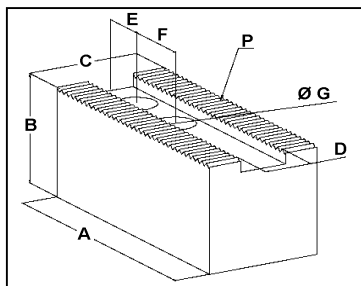
Pag. 122



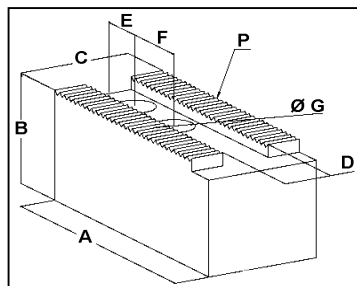
Pag. 146



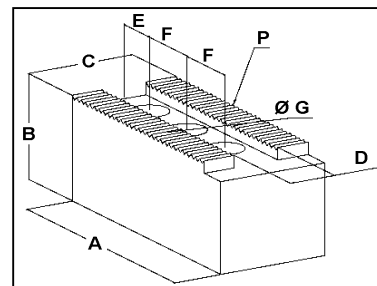
Pag. 164



TIPO / type III



TIPO / type IV



TIPO / type V

AUTOBLOK	
	AND125;ALD125;BHD130;BBD140;HYDS-150;PBD130;HBD130;GHDN125;IDN125
	AND125;ALD125;BHD130;BBD140;HYDS-150;PBD130;HBD130;GHDN125;IDN125
	AND165;ALD165;BHD165; BHD-FC165;RCD165;PBD165; HDB165;GHDN165; GHD-FC165;PBDI165;
	BBD175;HYDS170;HYDS180;IDL170;IDN170;HDN170;HDL170;HDN-FC170
	AND210;ALD210;BHD210;BBD210; HYDS210;RCD210;CD200; IDN200;IDN220;IDL200;HDN200; HDN220;HDL200;GHDN210; HDN-FC200;GHD-FC210;PBD210; HDB210;PBDI210; BHD-FC210;HYDS226;
	AND210;ALD210;BHD210;BBD210;HYDS210;RCD210;GHDN210;GHD-FC210;HDN220;PBD210;HBD210;PBDI210; BHD-FC210;HYDS226;
	2CLD250;2CLD315
	AND250;ALD250;BHD250;BBD250;HYDS250; BHD-FC250;RCD250;PBD250;HBD250; PBDI250;CD250;IDN250;IDL250;HDN250; HDL250;GHDN250;HDN-FC250;GHD-FC250
	AND250;ALD250;BHD250;BBD250;HYDS250;BHD-FC250;RCD250;PBD250;HBD250; PBDI250;CD250;IDN250;IDL250;HDN250;HDL250;GHDN250;HDN-FC250;GHD-FC250 AND315;ALD315;BHD315;BBD315;HYDS315;BHD-FC315;RCD305;CD315/65;CD315/85;PBD315; HBD315;PBDI315;IDN315;IDL315;HDN315;HDL315;GHDN315;HDN-FC315;GHD-FC305;HYD350
	AND315;ALD315;BHD315;BBD315;HYDS315; BHD-FC315;RCD305;CD315/65;CD315/85;PBD315; HBD315;PBDI315;IDN315;IDL315;HDN315;HDL315; GHDN315;HDN-FC315;GHD-FC305;HYD350
	HYDS400;GHDN400;HDN-FC400;RCD400;IDN400;IDL400;HDN400;HDL400;GHD-FC400;HYD400
	ALD400;AND400;GHDN500;HDN-FC500;RCD500;BHD400
	HYDS500;HYD500;IDN500;IDL500
	GHDN500;HDN-FC500;RCD500;ALD400;AND400; BB-N 630/500;BHD400
	HYDS500;HYD500;IDN500;IDL500;HYD630
	GHDN500;HDN-FC500;RCD500;IDN630;IDL630;GHDN610;GHDN640;HDN-FC630;AND400;ALD400;BHD400

morsetti teneri standard in acciaio

standard soft jaws

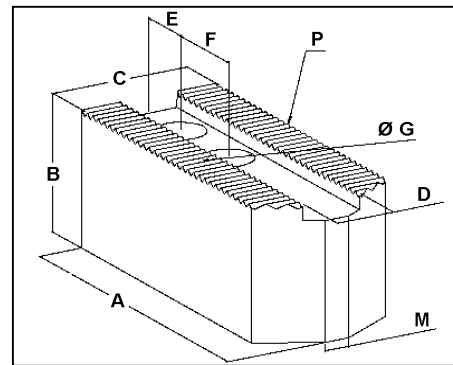
catalogo | catalogue

MATERIALE / material : S235JR (Fe37)

DENTATURA / pitch: 1/16"x90°
3/32"x90°

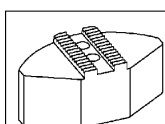
MANDRINI / chucks

BERG
FORKARDT - GAMET
GEIGER+HAAG - ROHM
SCHUNK - SMW

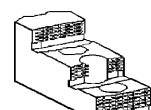


TIPO / type I

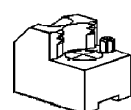
CODICE /code	Ø MAND / chuck	P	TIPO	A	B	C	D	E	F	G	M	KG
10.22.01/A	125-130	1/16"x90°	I	60	30	30	12	15	16	9	10	0,32
10.22.03/A	170-180	1/16"x90°	I	85	40	40	14	19	20	11	10	0,82
24.22.00/F	160	1/16"x90°	II	70	60	40	17	15	22	13	-	1,05
24.22.01/F	200	1/16"x90°	II	90	60	40	17	25	22	13	-	1,4
24.22.02/F	250	1/16"x90°	II	120	80	50	21	30	28	17	-	3,08
24.22.03/F	300	1/16"x90°	II	140	90	60	25,5	30	35	21	-	4,7
24.22.04/F	400-500	3/32"x90°	II	155	90	60	25,5	30	35	21	-	5,3



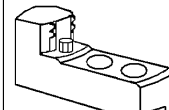
Pag. 54



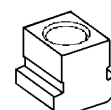
Pag. 68



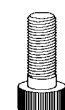
Pag. 76



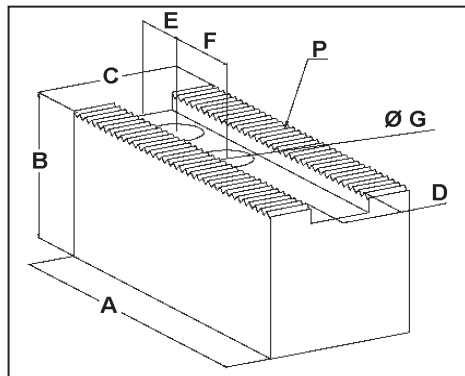
Pag. 122



Pag. 146



Pag. 164



TIPO / type II

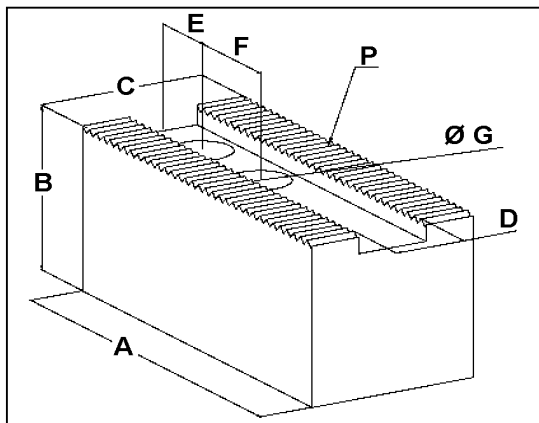
BERG	FORKARDT	GAMET	GEIGER+HAAG	ROHM	SCHUNK	SMW
KF130			GHGY120;GHGY130; GHGY160;GHGY200	KFD130;KFH140;LVE125		KDV130
		MAC165; MAC170; DELTA170; GA160; GA170			TP160	
KF160; KF200; HES160; HES200; KHFF200;	KGH170;KGH175; KGH200; KTG160; KTG200;KGHF160 ;KGHF175;KGHF200; KTN160; KTN200; KS160;KS200;KS250; KL160;KL200;KSPS160; KSPS200; KSF175; KSF200;KTGF200; KSHF200; UVE160; UVE200;UVE250;KP200;KG200;NHF200; NH160;NH200;KSH200; KSH160;KLNC200;QLC175;KTH160; KTH175		GHFA175;GHHFA200; GHHFA250;GHN160; GHN200;GSHH160; GSHH200;GHKS160; GHKS200;GHKS250; GHL160;GHL200; GHHL160;GHHL200; GHHL250;GHBF160; GHBF190;GHBF210; GHBF225;GHSP160; GHSP215;GHHSP160; GHHSP215; GHL250Mo	KFH160;KFH200;KFH/NC160; KFH/NC200; KFH/F160; KFH/F200; KFH/G160;KFH/G200; KFD/HF160; KFD/HF200;KFD160; KFD200;SPD160; SPD215;SPO160; SPO215; LVE160;	ROTA NC 165; ROTA NCF 160; ROTA NCO 165 TH165;THF165 HSL165	KFKS160; KFKS200; KDV160; KDV200; KDV250; KDVG160 KDVG200; KDVG250
KF200; HES200; KHFF200; HESF200;	KGH200;KTG200;KG200; KGHF200;KTN200;KT200;KS200; KS250;KSH200;KTGF200;KL200; KSF200;KTGF200;KSHF200; KTH200;UVE200;UVE250; KSHF250/65;KG200;KSPS200; QLC210;NHF200;KSHF255/65(index); NH200;NHF250/65(index); NHF290/104(index);KL250Mo; KS250Mo;KLNC200;KP200; NHF250/104(index)	MAC200; MAC220; DELTA210; GA210;	GHHFA200;GHHFA250; GHN200;GSHH200; GHKS200;GHKS250; GHL200;GHHL200; GHHL250;GHBF190; GHBF210;GHBF225; GHGY250;GHGY300; GHL250Mo;GHSP215; GHHSP215;	KFH200;KFH/NC200; KFH/F200;KFH/G200; KFD/HF200;KFL250; SPD215;SPO215; LVE200;KFD200;	ROTA NC 210; ROTA NCD 200; ROTA NCF 210; ROTA NCO 200; TH210;THF210; TP200;HSL210	HFK200; HFKS200; KDV200; KDV250; KDVG200; KDVG250; KFMF200; KFV200; KFKN-D210
KF250; KF315; HES250; HES315; KHFF250; KHFF315; HESF250; HESF315;	KS315;KS400;KSH250;KSH315; KSH400;KG250;KG315;KP250;KP315; KT250;KTGF250;KTGF315; QLC250;UVE315;KSHF250;KSHF315; KSHF400;KTG250;KTG315;KLNC250; KLNC315;KTN250;KTN315;KS315; NHF250;NHF315;KT315;NH250; NH315;QLC315;NHF290; NHF400(index); KL250;KSPS250; KSPS300;KS400;	MAC250; MAC315; DELTA250; DELTA260; DELTA315; GA250; GA315;	GHN250;GHN315; GSHH250;GSHH315; GHKS315;GHL250; GHL280;GHHL280; GHSP300;GHHSP300;	KFH250;KFH315; KFH/NC250;KFH/NC315; KFH/F250;KFH/F315; KFH/G250;KFH/G315; KFD/HF250;KFD/HF315; KFD250;KFD315;KFL315; KFL400;LVE305; SPD300; SPO300;	ROTA NC 250-315; ROTA NCD250; ROTA NCF 250; ROTA NCO 250; ROTA NCD 315; ROTA NCF315; ROTA NCO 315; TH250;THF250; TP250;HSL250; HSL315;TH315; THF315;TP315;	HFK250; HFK315; HFKS250; HFKS315; KDV315; KDV400; KDVG315; KDVG400;
	KL300; KSHF560	MAC380				
KF400; KF500; KF630; HES400; HES500; HES630; KHFF400;	KS500;KS630;KSH500;KG400;KSL630; KSHF630;KL400;KTGF400;KTGF500; KT400;QLC400;UVE400;UVE500; UVE630;UVE800;KP500;KTG400; KTG500;KTN400;KTN500;KT500; KG400;KG500;NHF400;NHF500; NHF630;NH400;NH500;NH630;KL400; KL500;KLNC400;KLNC500;KP400; KT630;	DELTA400		KFH400;KFH500; KFH/NC400;KFH/NC50; KFH/F400;KFH/F500; KFH/G400;KFH/G500; KFD/HF400;KFD/HF500; LVE400;LVE500;LVE630; LVE1000;KFD400; KFD500;KFD630;KFD800; KFL500;KFL600;	ROTA NC 400; ROTA NCD 400; ROTA NCF400; ROTA NCO 400; HSG400;HSL400; TH400;THF400; HSG500;TH500; THF500;	HFK400-50; HFKS400-500 KDV500; KDVG500; KFV400-800

morsetti teneri standard in acciaio

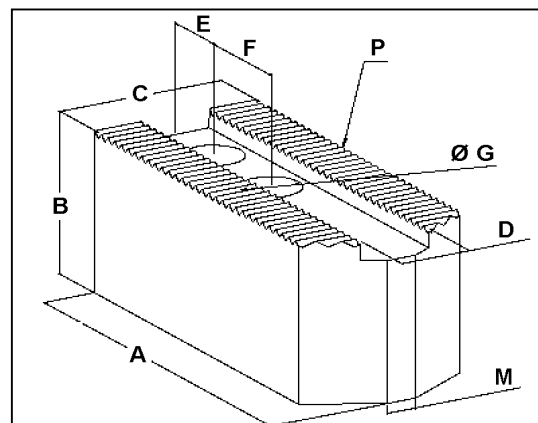
standard soft jaws

catalogo | catalogue

MATERIALE / material : S235JR (Fe37)



TIPO / type I



TIPO / type II

DENTATURA / pitch: 1/16"x90°
3/32"x90°

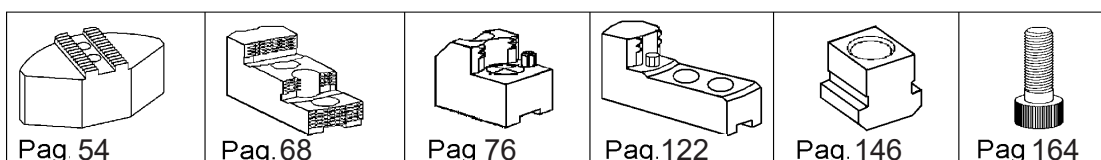
MANDRINI / chucks : SMW AUTOMATICO SERIE / model : SP - STP - STWP- LP- BB

CODICE / code	Ø MAND./ chuck	P	TIPO	A	B	C	D	E	F	G	M	KG
19.22.00/S	125	1/16"x90°	I	68	40	30	11	21	18	9	-	0,49
19.22.01/S	160	1/16"x90°	I	88	50	35	14	25	25	11	-	1,0
19.22.02/S	200	1/16"x90°	I	98	50	40	17	25	29	13	-	1,28
19.22.03/S	250	1/16"x90°	I	108	70	50	21	28	30	15	-	2,45
19.22.04/S	315	1/16"x90°	I	120	70	50	21	28	30	17	-	2,72
19.22.04/S L140	315	1/16"x90°	I	140	70	50	21	34	30	17	-	3,27
19.22.05/S	400	3/32"x90°	I	160	80	60	25,5	39	40	19	-	5,1

DENTATURA / pitch: 1/16"x90°
3/32"x90°

MANDRINI / chucks : BERG AUTOMATICO SERIE / model : KH

CODICE / code	Ø MAND./ chuck	P	TIPO	A	B	C	D	E	F	G	M	KG
31.22.01/B	110	1/16"x90°	II	55	40	25	8	12	14	9,5	6	0,36
31.22.02/B	140-160	1/16"x90°	II	70	45	30	10	13	19	11	10	0,54
31.22.03/B	175-200	1/16"x90°	II	84	45	30	12	18	21	13	10	0,65
31.22.04/B	175-200	1/16"x90°	II	90	60	30	12	18	21	13	10	0,95
31.22.05/B	250-315	1/16"x90°	II	110	60	40	16	18	29	17	12	1,55
31.22.06/B	400-630	3/32"x90°	I	150	80	50	20	31	38	22	-	3,62

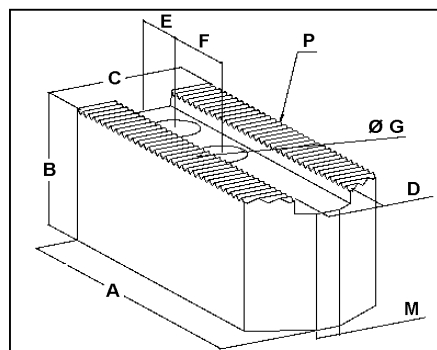


morsetti teneri standard in acciaio

standard soft jaws

catalogo | catalogue

MATERIALE / material : S235JR (Fe37)



DENTATURA / pitch: 2,5x60°

MANDRINI / chucks : CMT AUTOMATICO / automatic

CODICE / code	Ø MAND / chuck	P	A	B	C	D	E	F	G	M	KG
11.22.89/C	90	2.5x60°	45	20	20	7*	7	25	7	5	0,10
11.22.90/C	120	2.5x60°	55	25	25	8*	10	25	7	7	0,20
11.22.00/C	140	2.5x60°	65	25	25	10*	10	30	9	7	0,25
11.22.01/C	170	2.5x60°	85	40	30	10*	15	36	9	8	0,70
11.22.02/C	200	2.5x60°	95	35	35	10*	15	36	9	10	0,80
11.22.03/C	230	2.5x60°	105	50	40	12	15	50	11	10	0,95
11.22.04/C	250	2.5x60°	115	50	40	12	15	50	11	12	1,55
11.22.05/C	300	2.5x60°	125	60	60	18	19	50	13	24	3,10
11.22.06/C	400	2.5x60°	155	60	60	20	19	75	17	24	3,75

* SPECIFICARE CON CAVA O CON VITE

* Please state with slot or screw

DENTATURA / pitch: 1/16"x90°
3/32"x90°

MANDRINI / chucks : CMT AUTOMATICO SERIE / model : K

CODICE / code	Ø MAND / chuck	P	A	B	C	D	E	F	G	M	KG
11.22.07/C	150	1/16x90°	65	30	25	10	12	16	9	5	0,30
11.22.08/C	200	1/16x90°	90	40	40	12	12	38	11	12	0,95
11.22.09/C	250	1/16x90°	115	50	50	21	32	36	15	20	1,80
11.22.10/C	315	1/16x90°	140	50	50	21	32	36	15	20	2,30
11.22.11/C	400	3/32x90°	145	60	60	20	25	75	17	24	3,50

DENTATURA / pitch: 1/16"x90°
1,5x60°

MANDRINI / chucks : CMT AUTOMATICO SERIE / model : GB-GH-GX-KZ

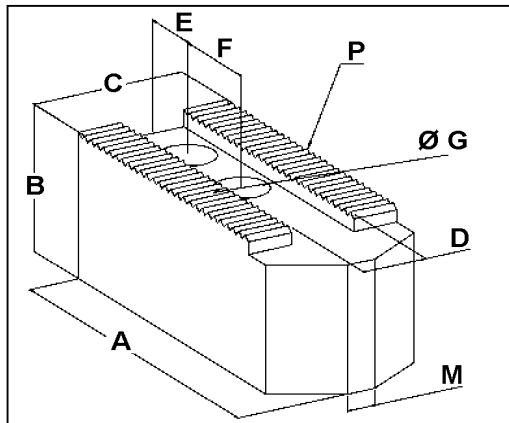
CODICE / code	Ø MAND / chuck	P	A	B	C	D	E	F	G	M	KG
10.22.01/A	130	1/16x90°	60	30	30	12	15	16	9	10	0,32
10.22.01/A P.1,5	130	1.5x60°	60	30	30	12	15	16	9	10	0,32
10.22.02/A	165	1/16x90°	75	35	35	14	16	16	11	8	0,54
10.22.02/A L95	210	1/16x90°	95	35	35	14	16	16	11	8	0,73
10.22.02/A P.1,5	165	1.5x60°	75	35	35	14	16	16	11	8	0,54
HKM 16.05	165	1.5x60°	75	30	30	12	19	20	11	7	0,40
10.22.05/A	210	1/16x90°	95	40	40	17	20	23	13	12	0,96
10.22.05/A P.1,5	210	1.5x60°	95	40	40	17	20	23	13	12	0,96
HKM 21.01	210	1.5x60°	95	40	40	14	20	25	13	12	0,97
10.22.07/A	250-315	1/16x90°	115	50	50	21	20	30	17	20	1,76
10.22.07/A P.1,5	315	1.5x60°	115	50	50	21	20	30	17	20	1,76
HKM 25.01	250	1.5x60°	110	40	40	16	30	30	13	12	1,11

morsetti teneri standard in acciaio

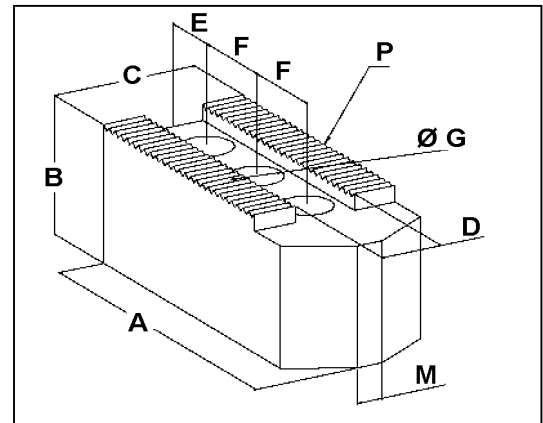
standard soft jaws

catalogo | catalogue

MATERIALE / material : S235JR (Fe37)



TIPO / type I



TIPO / type II

DENTATURA / pitch: 1/16"x90°

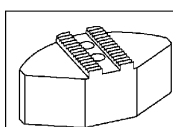
MANDRINI / chucks : **GAMET** SERIE / model : **MAC**

CODICE /code	Ø MAND / chuck	P	TIPO	A	B	C	D	E	F	G	M	KG
25.22.10/G	165	1/16"x90°	II	75	30	30	14	10	20	11	7	0,35
25.22.11/G	200	1/16"x90°	II	95	35	35	17	20	25	13	7	0,64
25.22.12/G	250	1/16"x90°	II	119	45	45	21	20	32	17	7	1,3
25.22.13/G	315	1/16"x90°	II	150	45	45	21	25	38	17	10	1,76
25.22.14/G	380	1/16"x90°	II	182	55	55	25,5	30	42	21	10	3,2

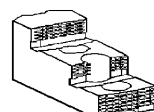
DENTATURA / pitch: 1,5x60°
1/16"x90°

MANDRINI / chucks : **GAMET** SERIE / model : **GA**

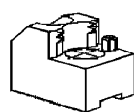
CODICE /code	Ø MAND / chuck	P	TIPO	A	B	C	D	E	F	G	M	KG
25.22.20/G	110	1,5x60°	I	50	25	25	10	6,5	12	7	3	0,2
25.22.21/G	130-140	1/16x90°	I	58	25	25	11	8	15	9	3	0,2
25.22.22/G	160-170	1/16x90°	I	72	35	35	14	10	18	11	5	0,5
25.22.23/G	210	1/16x90°	I	93	35	35	17	11	20	13	5	0,66
25.22.24/G	250	1/16x90°	I	110	45	45	21	14	26	17	10	1,25
25.22.25/G	315	1/16x90°	I	140	45	45	21	16	31	17	10	1,7



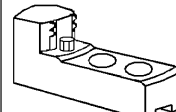
Pag. 54



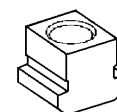
Pag. 68



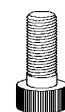
Pag. 76



Pag. 122



Pag. 146



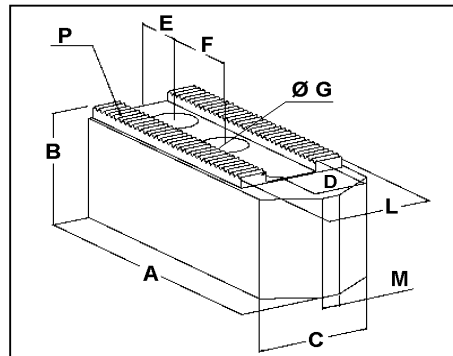
Pag. 164

morsetti teneri standard in acciaio

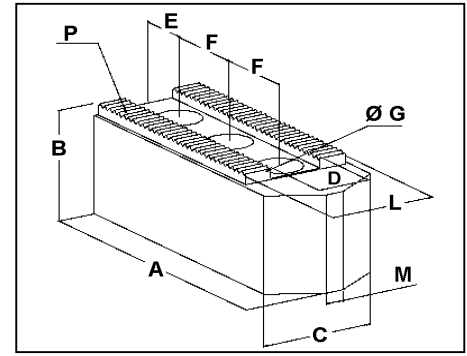
standard soft jaws

catalogo | catalogue

MATERIALE / material : S235JR (Fe37)



TIPO / type I

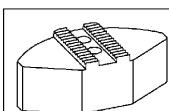


TIPO / type II

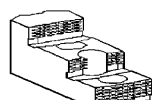
DENTATURA / pitch: 1/16"x90°
1,5x60°

MANDRINI / chucks : **GAMET - NIKKO - ROHM**

CODICE/code	Ø MANDR.	P	TIPO	A	B	C	D	E	F	G	L	M	KG	GAMET	NIKKO	ROHM
25.22.00/G	105	1,5x60°	I	55	30	25	10	10	15	9	20	8	0,2	105N 105Mo	HF-4	KFN105 KFD-HE130
25.22.01/G	130	1,5x60°	I	65	30	25	11	10	22	9	25	8	0,27	130N 130Mo	HF5 MO5 HG5	KFN130 KFN135 KFM130
25.22.02/G	160	1,5x60°	I	77	35	35	11	10	20	9	27	8	0,55	160N 160Mo 160Go 170MF	HF6AB GO6 HG6AB MO6 HDM165	KFN160 KFM160 KFG160 KFE170
25.22.02/G P.1/16"	160	1/16"x90°	I	77	35	35	11	10	20	9	27	8	0,55			
25.22.03/G	215	1,5x60°	II	102	45	45	14	12	22	11	34	10	1	215N 215Mo 215Go 215MF	HF8 MO8 HG8 GO8 HDM215	KFN215 KFM215 KFG215 KFE215
25.22.03/G P.1/16"	215	1/16"x90°	II	102	45	45	14	12	22	11	34	10	1			
25.22.04/G	250-280	1,5x60°	II	125	50	50	20	15	30	13	44	20	2	250N 280N 280MO 280MF	HF10 HF12 HG10 MO10 MO12 GO10 GO12 HDM250 HDM300	KFN250 KFN280 KFM280 KFG280 KFE280
25.22.04/G P.1/16"	250-280	1/16"x90°	II	125	50	50	20	15	30	13	44	20	2			
25.22.05/G	350	1,5x60°	II	170	60	50	21	22	40	17	50	20	3,2	350N 350MO 350GO 350MF	HF14 HF16 MO14 HDM250 HDM380	KFN350 KFM350 KFG350 KFE350
25.22.05/G P.1/16"	350	1/16"x90°	II	170	60	50	21	22	40	17	50	20	3,2			
25.22.06/G	450	1,5x60°	II	220	80	70	30	25	50	21	69	30	8	450N 450MO 450GO 450MF	HF450 MO450 HG450 GO450 HDM450	



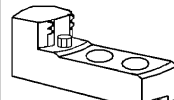
Pag. 54



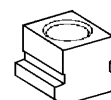
Pag. 68



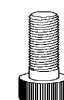
Pag. 76



Pag.122



Pag. 146



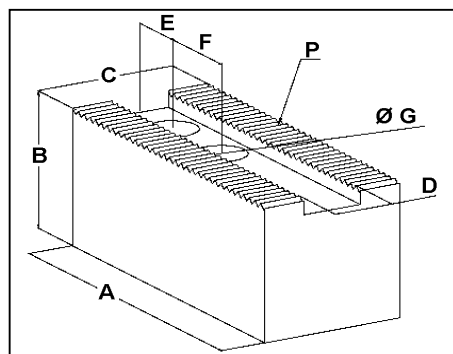
Pag. 164

morsetti teneri standard in acciaio

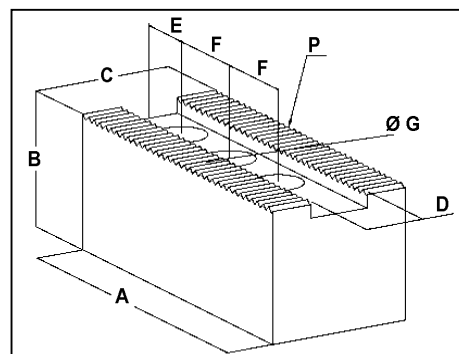
standard soft jaws

catalogo | catalogue

MATERIALE / material : S235JR (Fe37)



TIPO / type I



TIPO / type II

DENTATURA / pitch: 1/16"x90°

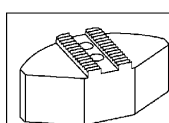
MANDRINI / chucks : FIAL MANUALE / manual

CODICE / code	Ø MAND / chuck	P	TIPO	A	B	C	D	E	F	G	KG
17.22.10/F	160	1/16"x90°	II	73	35	20	8	13	19	7	0,32
17.22.11/F	200	1/16"x90°	II	90	40	25	10	15	23,8	9	0,56
17.22.12/F	230	1/16"x90°	II	105	40	25	10	15	28,5	9	0,67
17.22.13/F	270	1/16"x90°	II	120	50	30	12	19	33	11	1,12
17.22.14/F	315	1/16"x90°	II	140	60	30	14	23	36,5	13	1,57

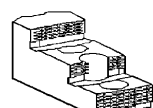
DENTATURA / pitch: 1/16"x90°
3/32"x90°

MANDRINI / chucks : M.P.T.-PINTO AUTOMATICO / automatic

CODICE / code	Ø MAND / chuck	P	TIPO	A	B	C	D	E	F	G	KG
15.22.10/P	125	1/16"x90°	I	60	30	30	12	15	13	9	0,35
15.22.11/P	150	1/16"x90°	I	70	35	35	14	16	16	11	0,52
15.22.12/P	200	1/16"x90°	I	90	50	40	17	20	22	13	1,16
15.22.13/P	250	1/16"x90°	I	110	50	50	21	20	28	17	1,8
15.22.14/P	315-400	1/16"x90°	I	140	60	50	21	30	30	17	2,74
15.22.15/P	500-800	3/32"x90°	I	170	80	60	28	30	38	21	5,28



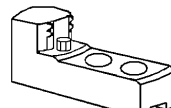
Pag. 54



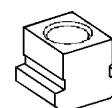
Pag. 68



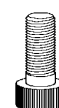
Pag. 76



Pag. 122



Pag. 146



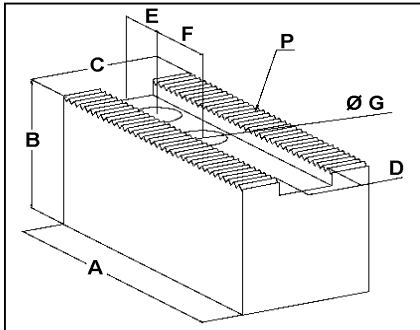
Pag. 164

morsetti teneri standard in acciaio

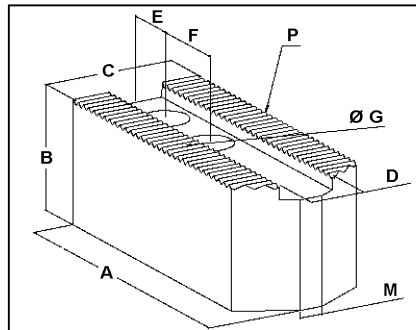
standard soft jaws

catalogo | catalogue

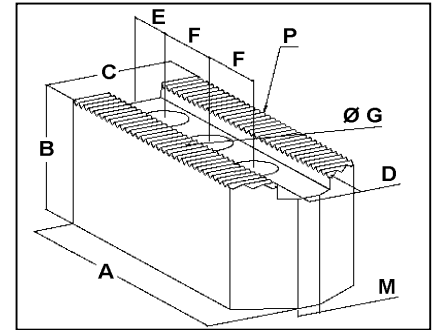
MATERIALE / material : S235JR (Fe37)



TIPO / type I



TIPO / type II



TIPO / type III

DENTATURA / pitch: 1/16"x90°

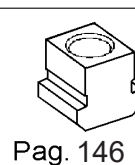
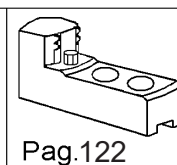
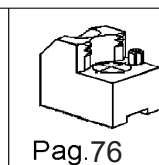
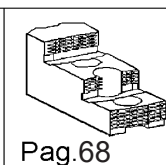
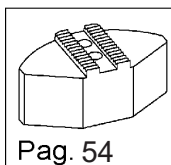
MANDRINI / chucks : ROHM AUTOMATICO SERIE /model: KFH/F/G/NC - KFL - SPO - SPD

CODICE/code	Ø MAND / chuck	P	TIPO	A	B	C	D	E	F	G	M	KG
27.22.00/R	110	1/16"x90°	I	53	30	20	10	9	13	7	-	0,2
27.22.01/R	130	1/16"x90°	I	55	40	25	12	9	15	9	-	0,32
27.22.02/R	160	1/16"x90°	I	80	50	35	17	12	20	13	-	0,85
27.22.03/R	200	1/16"x90°	I	95	50	35	17	12	20	13	-	1,03
27.22.04/R	250	1/16"x90°	I	110	50	50	21	15	26	17	-	1,7
27.22.05/R	315	1/16"x90°	I	120	80	50	21	30	28	17	-	3,1

DENTATURA / pitch: 1/16"x90°
3/32"x90°

MANDRINI / chucks : ROHM AUTOMATICO SERIE /model: KFD-HS/HE/HF - LVE

CODICE/code	Ø MAND / chuck	P	TIPO	A	B	C	D	E	F	G	M	KG
27.22.15/R	110	1/16"x90°	II	45	30	25	10	15	15	9	3	0,2
27.22.16/R	110-140	1/16"x90°	III	55	30	25	10	11	12	7	3	0,25
27.22.17/R	130-175	1/16"x90°	I	55	40	30	12	9	15	9	-	0,45
27.22.18/R	160-200	1/16"x90°	I	70	60	40	17	12	19	13	-	1
27.22.19/R	200-250	1/16"x90°	I	90	60	40	17	12	19	13	-	1,4
27.22.20/R	250-315	1/16"x90°	I	105	60	50	21	15	25	17	-	2
27.22.21/R	400-800	3/32"x90°	I	155	90	60	25,5	30	35	21	-	5,3



morsetti teneri standard in acciaio

standard soft jaws

catalogo | catalogue

MATERIALE / material : S235JR (Fe37)

DENTATURA / pitch : 1,5x60°
3x60°

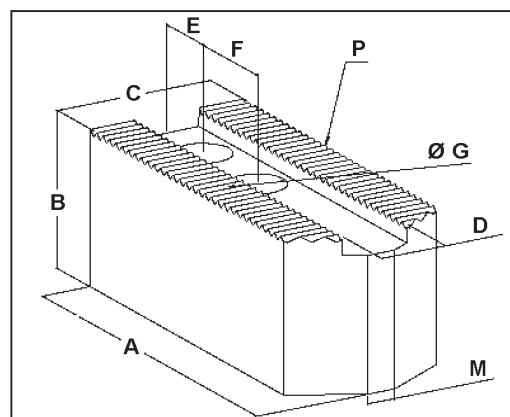
MANDRINI / chucks

AUTOBLOK (metrico/metric)

HOWA - KITAGAWA

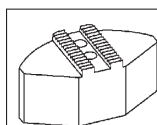
MATSUMOTO - SCHUNK

AUTOSTRONG-SAMCHULLY-SEOAM

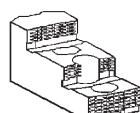


TIPO / type I

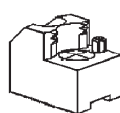
CODICE /code	Ø MAND / chuck	P	TIPO	A	B	C	D	E	F	G	M	KG
HKM 11.01	110	1.5x60°	I	50	25	20	8	8	15	7	3	0,20
HKM 11.05	110	1.5x60°	II	55	25	25	10	13	14	9	5	0,20
HKM 11.06			II	55	50	25	10	13	14	9	5	0,41
KHM 13.01	135	1.5x60°	I	55	30	25	10	10	18	9	5	0,25
HKM 13.02			I	55	40	25	10	10	18	9	4	0,35
HKM 13.05	135	1.5x60°	II	55	25	25	10	14	19	9	4	0,20
HKM 13.06			II	55	40	25	10	14	19	9	4	0,30
HKM 13.11	110-135	1.5x60°	I	50	25	25	11	10	16	9	4	0,20
HKM 13.15	135	1.5x60°	I	60	25	25	11	14	19	9	4	0,20
HKM 16.01	150	1.5x60°	I	75	45	30	11	14	20	9	8	0,65
HKM 16.05	165	1.5x60°	II	75	30	30	12	19	20	11	7	0,40
HKM 16.05 L85			II	85	30	30	12	19	20	11	7	0,45
HKM 16.06			II	75	40	30	12	19	20	11	7	0,40
HKM 16.06 L85			II	85	40	30	12	19	20	11	7	0,60
HKM 16.07			II	75	50	30	12	19	20	11	7	0,65
HKM 16.08			II	75	60	30	12	19	20	11	7	0,80
HKM 21.3.01	210	3x60°	I	95	40	40	14	24	25	13	12	1,00
HKM 21.00	210	1.5x60°	I	95	40	35	14	24	25	13	5	0,80
HKM 21.01 MAT. C40			I	95	40	40	14	20	25	13	12	1,00
HKM 21.01			I	95	40	40	14	20	25	13	12	1,00
HKM 21.01 L115			I	115	40	40	14	20	25	13	12	1,20
HKM 21.02			I	95	50	40	14	20	25	13	12	1,20
HKM 21.03			I	95	60	40	14	20	25	13	12	1,50
HKM 21.04			I	95	80	40	14	20	25	13	12	1,85
HKM 21.05	I	95	100	40	14	20	25	13	12	2,45		
HKM 21.10	210-254	1.5x60°	I	95	40	40	16	20	25	13	12	1,00
HKM 21.11			I	95	50	40	16	20	25	13	12	1,20
HKM 21.12			I	95	60	40	16	20	25	13	12	1,40
HKM 21.13			I	95	80	40	16	20	25	13	12	1,90
HKM 25.3.01	254	3x60°	I	110	60	40	16	30	30	13	12	1,65
10.22.24/A	254-270	1.5x60°	I	110	45	45	16	20	30	13	18	1,30
HKM 25.01 MAT. C40			I	110	40	40	16	30	30	13	12	1,11
HKM 25.01			I	110	40	40	16	30	30	13	12	1,11
HKM 25.01 1°F20mm			I	110	40	40	16	20	30	13	12	1,11
HKM 25.01 L130			I	130	40	40	16	30	30	13	12	1,36
HKM 25.02			I	110	60	40	16	30	30	13	12	1,70
HKM 25.02 L130			I	130	60	40	16	30	30	13	12	2,60
HKM 25.03			I	110	80	40	16	30	30	13	12	2,28
HKM 25.04			I	110	100	40	16	30	30	13	12	2,90
HKM 25.05			I	110	120	40	16	30	30	13	12	3,50



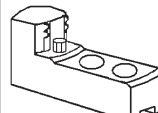
Pag 54



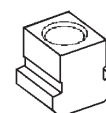
Pag 68



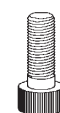
Pag 76



Pag.122



Pag.146

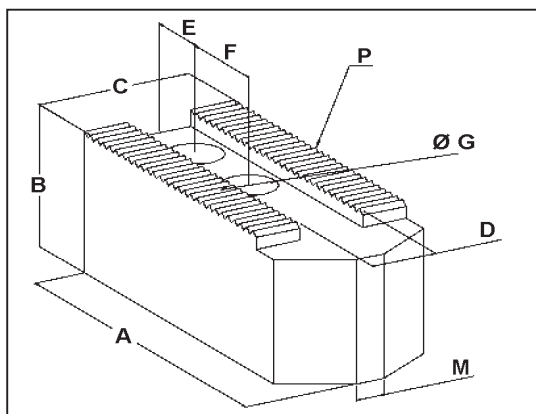


Pag.164

morsetti teneri standard in acciaio

standard soft jaws

catalogo | catalogue



TIPO / type II

AUTOBLOK	HOWA	SAMCHULLY	KITAGAWA	MATSUMOTO	SCHUNK
		Ø 110	HOB-4 B-04		
	HO1MA4 HO24M5	Ø 110	HJ-4; AS110; N-4 B205;B204;	H-4-21	
		Ø 135	HOB-5 B-05		
	HO1MA5	Ø 135	HJ-5;HJA-4;N-05	HXA5-6-34;HHXA5-6 SA5-6-40	
	HO27M4;HO27M5	Ø 110-135			
	HO9;HO17M5;	Ø 135			
		Ø 150		HA5-6;HX-6;H6;HH6; HJ-6;STC6;ZA5-6;	
BBM175;ALM165; ANM165;BHM165; BHM-FC165;HBM165; PBM165;	HO1MA6;HO7MA6; HO15M6;HO22M6; HO24M6;HO27M6; HO47M6;HO37M6	Ø 165	HJA5-6;HOS6;HOH106; AS165;B7;B106;B160;B06 HOH160;HOH-06;N-160; N06;HOB-6;B206;HOH206		ROTA NCK 165
	HO1MA8;HO2M8;	Ø 210			
BBM210 ALM210 ANM210 BHM210 BHM-FC210 HBM210 PBM210	HO7MA8 HO15M8 HO23M8	Ø 210	B-200;B-8;N-200 N8;AS210; B108;HOH108; HOS8;B-208 HOH208;HO8; HOB-8;HJA6-8; HOH200;HOH8;	HA6-8;HX-8; H-8;HH-8; HJ-8;HHJ-8; ZA6-8-66 STC-8 ZA 6-8-52	ROTA NCK 210
	HO27M8;HO22M8 HO47M8;HO37M8 HO24M8;HO7MA10 HO15M10;HO23M10	Ø 210-254			
	HO1MA10;HO2M10	Ø 254			
BBM250 ALM250 ANM250 BHM250 BHM-FC250 HBM250 PBM250		Ø 254-270	B-250;B-10;B-210 HOH250;HOH210 HOH-10;HOH110 HOB-10;AS250;B110 N250;N10;HJA6-10 HJA8-10;HOS10;HO-10	HA6-10;HA8-10; ZA6-10-72B;HX10 H-10;HH-10 HHL-10;HJ-10 HHJ-10;STC10 HA8-11	ROTA NCK 250

morsetti teneri standard in acciaio

standard soft jaws

catalogo | catalogue

MATERIALE / material : S235JR (Fe37)

DENTATURA / pitch : 1,5x60°
3x60°

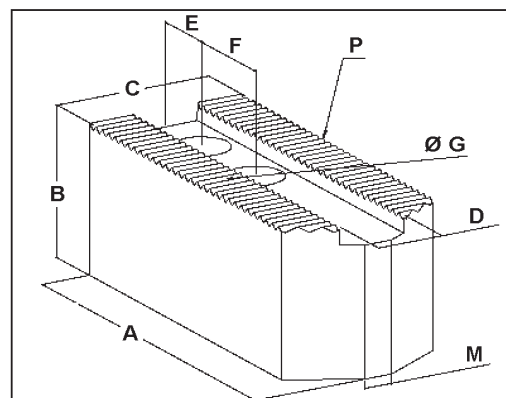
MANDRINI / chucks

AUTOBLOK (metrico/metric)

HOWA - KITAGAWA

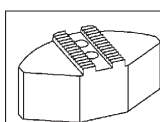
MATSUMOTO - SCHUNK

AUTOSTRONG-SAMCHULLY-SEOAM

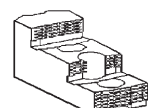


TIPO / type I

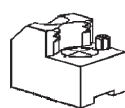
CODICE /code	Ø MAND / chuck	P	TIPO	A	B	C	D	E	F	G	M	KG
HKM 25.10	254	1.5x60°	I	110	45	45	18	25	30	15	15	1,6
HKM 30.01	304-381	1.5x60°	I	130	50	50	18	25	30	15	20	2,1
HKM 30.02			I	130	60	50	18	25	30	15	20	2,6
HKM 30.03			I	130	80	50	18	25	30	15	20	3,4
HKM 30.04			I	130	100	50	18	25	30	15	20	4,3
HKM 30.10	304	1.5x60°	I	130	50	50	21	22	30	17	20	2,0
HKM 30.10L150			I	150	50	50	21	22	30	17	20	2,4
HKM 30.11			I	130	60	50	21	22	30	17	20	2,5
HKM 30.12			I	130	80	50	21	22	30	17	20	3,3
HKM 30.13			I	130	100	50	21	22	30	17	20	4,2
HKM 30.14			I	130	120	50	21	22	30	17	20	5,2
HKM 30.14 H150			I	130	150	50	21	22	30	17	20	6
HKM 30.3.01	304	3x60°	I	130	50	50	18	40	30	15	20	2,2
HKM 30.15	304	1.5x60°	I	130	50	50	21	22	35	17	20	2,0
HKM 30.3.05	304-381	3x60°	I	130	50	50	21	26	40	17	20	2,1
HKM 38.00	381-454	1.5x60°	III	155	60	60	22	37	43	21	-	3,7
HKM 38.01			IV	165	70	70	22	37	43	21	-	5,4
HKM 38.02			III	155	100	60	22	37	43	21	-	6,0
HKM 38.03			IV	165	100	70	22	37	43	21	-	8,0
HKM 38.04	381	1.5x60°	III	155	60	60	22	30	60	21	-	3,7
HKM 38.05			III	156	70	70	22	30	60	21	-	5,1
HKM 38.3.00	381-454	3x60°	III	155	60	60	22	30	50	21	-	3,7
HKM 38.3.01			III	156	70	70	22	30	50	21	-	5,1
HKM 38.3.05	381	3x60°	III	140	60	60	26	30	42	21	-	3,2
HKM 38.10	381-454	1.5x60°	III	135	60	50	25,5	26	43	21	-	2,5
HKM 38.11			IV	165	70	70	25,5	37	43	21	-	5,4
HKM 38.12			III	135	100	50	25,5	26	43	21	-	4,1
HKM 53.3.01	454-610	3x60°	IV	200	70	70	25	40	60	21	-	6,6
HKM 61.3.01	381-610	3x60°	III	156	70	70	26	34	50	21	-	5,1



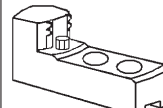
Pag. 54



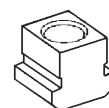
Pag. 68



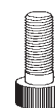
Pag. 76



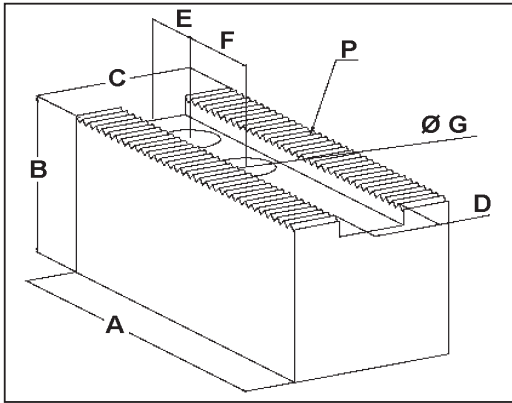
Pag. 122



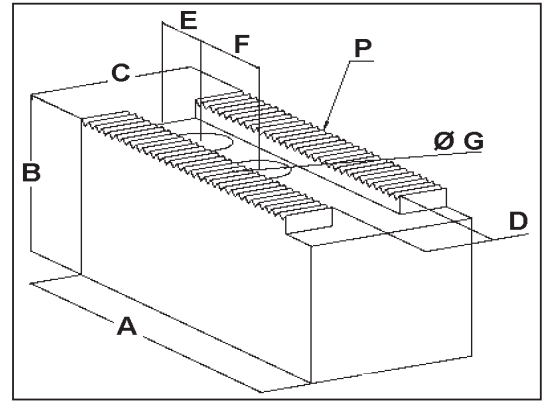
Pag. 146



Pag. 164



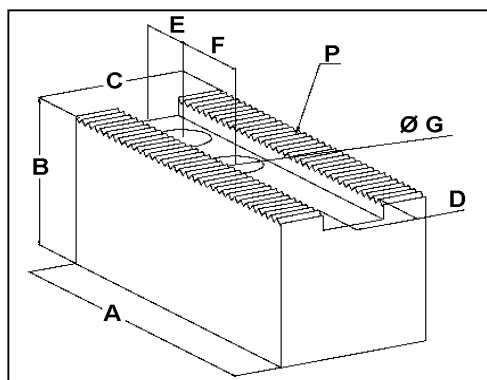
TIPO / type III



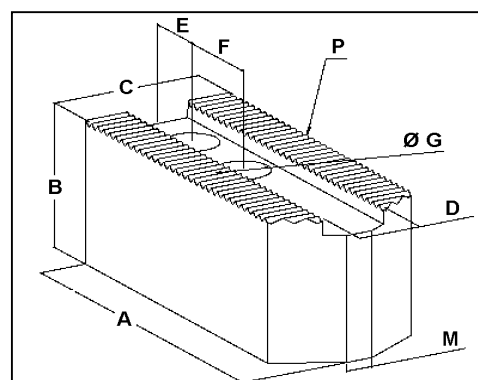
TIPO / type IV

AUTOBLOK	HOWA	SAMCHULLY	KITAGAWA	MATSUMOTO	SCHUNK
	HO27M10;HO47M10 HO22M10;HO24M10 HO22MA10;HO37M10	Ø 254			
	HO7MA12 HO15M12 HO23M12 HO24M10	Ø 304-381	B300;B12;HOH-300;HLA8-15 HOH12;N300;N12;HLA6-15 HOS12;HO-12;HJA8-12; HLA6-12;HJA6-12;HOB-12	HA8-12;HX12 SH12;HH12 HJ12;HHJ12 H12;HHL-12	
BBM315;ALM315 ANM315;BHM315 BHM-FC315 HBM315;PBM315		Ø 304	B212 BT212		ROTA NCK 315
	HO1MA12;HO2M12	Ø 304			
	HO27M12;HO47M12 HO37M12	Ø 304			
	HO22M12;HO24M12 HO7MA15;HO23M15	Ø 304-381			
		Ø 381-454	B380;B-15;HOH15;HOB15; HOH380;HOH15-K;HOH18; B-450;B-18;HOB18		
		Ø 381	HLA8-18;HJA8-21 HJ380 HJ15 HLA8-21 HJA11-15 HJA8-18		
		Ø 381-454		HA11-15;H15 HH15;HHL15 HA11-18;H18;HH18	
	HO27M15;HO47M15	Ø 381			
		Ø 381-454	N15;N18		
		Ø 454-610	HJ450;HJ18;B530;B21;HJ21; HJ530;HOB21;B600;B24; HJ610;HJ24;HOB24;HJA15-24		
	HO1MA15;HO1M18 HO1MA21;HO1MA24	Ø 381-610			

MATERIALE / material : S235JR (Fe37)



TIPO / type I



TIPO / type II

DENTATURA / pitch : 2,5x60°

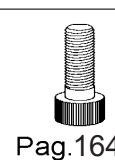
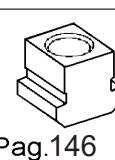
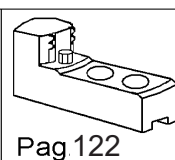
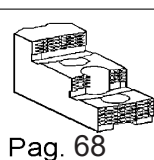
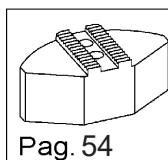
MANDRINI / chucks : GFB MANUALE / manual

CODICE /code	Ø MAND / chuck	P	TIPO	A	B	C	D	E	F	G	M	KG
12.22.00/G	105	2.5x60°	I	50	25	15	5,3	18,5	12	5	-	0,12
12.22.01/G	130	2.5x60°	I	61	25	20	6,2	22	15	6	-	0,2
12.22.02/G	160	2.5x60°	I	80	30	20	7,5	30	18	7	-	0,31
12.22.03/G	190	2.5x60°	I	90	40	25	10,2	25	25	9	-	0,58
12.22.04/G	200	2.5x60°	I	100	40	25	10,2	31	25	9	-	0,66
12.22.04/G C. 9,2	200	2.5x60°	I	100	40	25	9,2	31	25	9	-	0,66
12.22.05/G	230	2.5x60°	I	115	50	30	12,2	46	30	11	-	1,12
12.22.05/G C. 10,2	230	2.5x60°	I	115	50	30	10,2	46	25	9	-	1,12
12.22.06/G	250	2.5x60°	I	115	50	30	12,2	46	30	11	-	1,12
12.22.07/G	270	2.5x60°	I	135	50	30	12,2	42	30	11	-	1,34
12.22.08/G	310	2.5x60°	I	150	50	30	12,2	42	30	11	-	1,34
12.22.09/G C. 11,2	310-365	2.5x60°	I	150	50	35	11,2	42	30	11	-	1,82

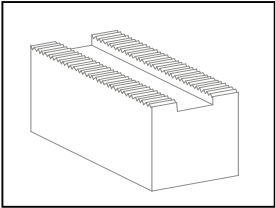
DENTATURA / pitch : 1,5x60°

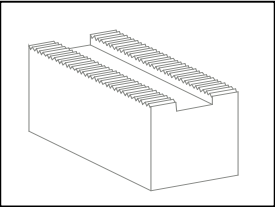
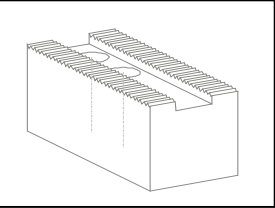
MANDRINI / chucks : SMW / AUTOBLOK PRIMA SERIE CON DENTATURA METRICA
Old model with metric pitch

CODICE /code	Ø MAND / chuck	P	TIPO	A	B	C	D	E	F	G	M	KG
10.22.01/A P.1,5	130	1.5x60°	II	60	30	30	12	15	16	9	10	0,32
10.22.02/A P.1,5	165	1.5x60°	II	75	35	35	14	16	16	11	8	0,54
10.22.05/A P.1,5	210	1.5x60°	II	95	40	40	17	20	23	13	12	0,96
10.22.24/A	250	1.5x60°	II	110	45	45	16	20	30	13	18	1,3
10.22.07/A P.1,5	315	1.5x60°	II	115	50	50	21	20	30	17	20	1,76
10.22.08/A P.1,5	300-350	1.5x60°	II	130	50	50	21	22	30	17	20	2,1



morsetti non forati-forati (su richiesta) undrilled-drilled jaws (upon request)

MANDRINO / chuck	PAG.	DENTATURA / pitch : 1/16"x90°- 3/32"x90°
SMW-AUTOBLOK	24-25	
BERG	24-25	
FORKARDT	24-25	
ROHM	24-25	
SCHUNK	24-25	

MANDRINO / chuck	PAG.	DENTATURA / pitch : 1,5x60°
SMW-AUTOBLOK (METRICO)	26-27	
MATSUMOTO	26-27	
HOWA	26-27	
KITAGAWA	26-27	
AUTOSTRONG	26-27	
SAMCHULLY	26-27	
SEOAM	26-27	
SCHUNK (METRICO / metric)	26-27	

morsetti non forati-forati undrilled-drilled jaws

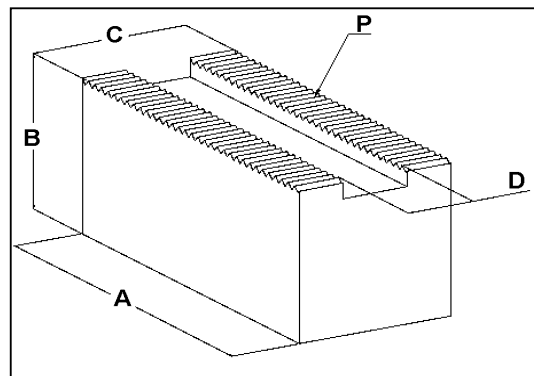
catalogo | catalogue

MATERIALE / material : S235JR (Fe37)

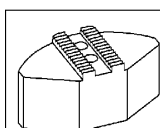
DENTATURA / pitch: 1/16"x90°
3/32"x90°

MANDRINI / chucks

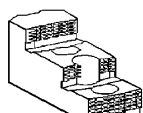
SMW - AUTOBLOK
BERG - FORKARDT
ROHM - SCHUNK



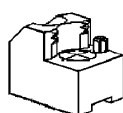
NON FORATI /undrilled	P	A	B	C	D	KG(NF)	G	FORATI /drilled
TBM31NF	1/16"x90°	70	40	40	17	0,8	13-19	TBM31F
TBM32NF		90	40	40	17	1,1	13-19	TBM32F
TBM33NF		105	40	40	17	1,2	13-19	TBM33F
TBM34NF		70	60	40	17	1,3	13-19	TBM34F
TBM35NF		90	60	40	17	1,6	13-19	TBM35F
TBM36NF		105	60	40	17	1,9	13-19	TBM36F
TBM361NF		120	60	40	17	2,2	13-19	TBM361F
TBM368NF		90	80	40	17	2,1	13-19	TBM368F
TBM3610NF		90	100	40	17	2,7	13-19	TBM3610F
TBM3612NF		90	120	40	17	3,2	13-19	TBM3612F
TBM37NF		70	60	60	17	1,9	13-19	TBM37F
TBM38NF		90	60	60	17	2,4	13-19	TBM38F
TBM40NF		90	60	80	17	3,3	13-19	TBM40F
TBM41NF		1/16"x90°	90	60	50	21	2,0	17-25
TBM42NF	105		60	50	21	2,3	17-25	TBM42F
TBM428NF	120		80	50	21	3,6	17-25	TBM428F
TBM4281NF	150		80	50	21	4,6	17-25	TBM4281F
TBM4210NF	120		100	50	21	4,5	17-25	TBM4210F
TBM4212NF	120		120	50	21	5,5	17-25	TBM4212F
TBM4215NF	120		150	50	21	6,9	17-25	TBM4215F
TBM43NF	90		60	60	21	2,4	17-25	TBM43F
TBM44NF	105		60	60	21	2,9	17-25	TBM44F
TBM45NF	90		80	60	21	3,3	17-25	TBM45F
TBM46NF	105		80	60	21	3,9	17-25	TBM46F
TBM47NF	120		80	60	21	4,4	17-25	TBM47F
TBM48NF	90		60	80	21	3,3	17-25	TBM48F
TBM498NF	120		80	80	21	5,9	17-25	TBM498F
TBM50NF	3/32"x90°	140	60	60	25,5	3,8	21-31	TBM50F
TBM51NF		140	80	60	25,5	5,1	21-31	TBM51F
TBM52NF		140	100	60	25,5	6,4	21-31	TBM52F
TBM53NF		155	100	60	25,5	7,1	21-31	TBM53F
TBM531NF		195	100	60	25,5	9,0	21-31	TBM531F
TBM5312NF		155	120	60	25,5	8,6	21-31	TBM5312F
TBM5315NF		155	150	60	25,5	11,5	21-31	TBM5315F
TBM5320NF		155	200	60	25,5	13,8	21-31	TBM5320F
TBM57NF		170	80	80	25,5	7,6	21-31	TBM57F
TBM58NF		155	100	100	25,5	11,8	21-31	TBM58F
TBM59NF		155	90	60	25,5	6,0	21-31	TBM59F



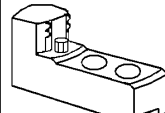
Pag. 54



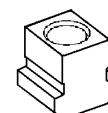
Pag. 68



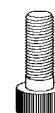
Pag. 76



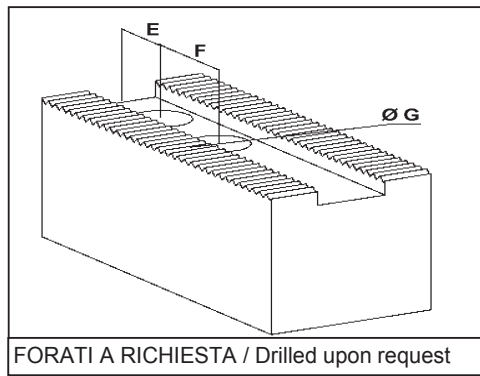
Pag.122



Pag.146



Pag.164



IMPORTANTE :
PER I MORSETTI RICHIESTI FORATI
INDICARE ALL'ORDINE LE QUOTE :
E - F

Important :
for drilled jaws please indicate "E-F"
dimensions upon order

	AUTOBLOK-SMW	BERG	FORKARDT	SCHUNK	ROHM
	HFK160;HFKS160;KDV160 KDVG160;KFMF160;KfV160 HFK200;HFKS200;HFKN-D200 KDV200;KDVG200;KFMF200 KfV200;SP200;STP200;STWP200 CD200;HDL200;HDN200;IDL200 IDN200;ALD210;AND210 BBD210;BHD210;BHD-FC210 GHD-FC210;GHDN210;HBD210 PBD210;HDB220;HDN220 IDN220;KDV250;KDVG250 HDN250S;IDN250S	HES160 HESF160 KF160 HES200 HESF200 KF200 KHFF200	KGH160;KGHF160;KL160;KS160 KSH160;KSPS160;KTG160;KTH160-46 KTN160;NH160;NHF160;UVE160 KGH175;KGHF175;KSF175;KTH175-46 QLC175;KG200;KGH200;KGHF200 KS200;KSF200;KT200;KTGF200 KTH200;NH200;NHF200;QLC210 UVE200;KL250MO;KS250;KS250MO KSHF250-55;KSHF250-65;NHF250-65 NHF250-104;UVE250;NHF290	ROTA NC-O 160 HSL165 TH165 THF165 HSG200 ROTA NC-D 200 ROTA NC-O 200 TP200 HSL210 TH210 THF210 HSG250	KFD160;KFD-HE160 KFD-HF160;KFH160 KFH-F160;SPD160 KFH-G160;SPO160 KFH-NC160;LVE160 KFD-200;KFD-HE210 KFD-HF200;KFH200 KFH-F200;LVE200 KFH-G200;SPD215 KFH-NC200;SPO215 KFL250
	HFK250-315;HFKS250-315 HFKN-D250-315;KFMF250-315 KfV250-315;ALD250-315 AND250-315;BBD250-315 BHD250-315;BHD-FC250-315 CD250-315;GHD-FC250-315 GHDN250-315;HBD250-315 HDL250-315;HDN250-315 IDL250-315;IDN250-315 PBD250-315;GHD-FC305-400 HDB300;GHDN400;HDL400 HDN400;IDL400;IDN400 KDV400;KDVG400	HES250 HESF250 KF250 KHFF250 HES315 HESF315 KF315 KHFF315	2BLE200;2BLN200;2BLE250MO;KG250 KL250;KLNC250;KP250;KSH250 KSHF250;KSPS250;KT250;KTGF250 KTN250;NH250;NHF250;QLC250 NHF257;NHF290-104;KSPS300;KG315 KLNC315;KP315;KS315;KSH315 KSHF315;KT315;KTGF315;NH315 NHF315;UVE315;QLC315;KS400 KSH400;KSHF400;NHF400	HSL250 ROTA NC-D 250 ROTA NC-O 250 TH250 THF250 TP250 HSG315 HSL315 ROTA NC-D 315 ROTA NC-O 315 TH315 THF315 TP315	KFD250;KFD-HF250 KFH250;KFH-F250 KFH-G250;LVE250 KFH-NC250;SPD300 KFD-HE254;SPO300 KFD-HE315;LVE305 KFD315;KFD-HS315 KFD-HF315;KFH315 KFH-F315;KFL315 KFH-G315;LVE315 KFH-NC315;KFL400
	HFK400-500;HFKS400-500 KfV400;KDV500;KDVG500 KfV500-630-800;LP380 BB400;BB400-ES;STP400 LP460	HES400 KF400 KHFF400 HES500 KF500 HES630 KF630	KG400;KL400;KLNC400;KP400;KT400 KTGF400;NH400;NHF400;UVE400 QLC400;KG500;KL500;KLNC500 KP500;KT500;KTGF500;NH500 NHF500;UVE500;KS630;KSL630 KSHF630;KT630;KTGF630;NH630 NHF630;UVE630;UVE800	HSG400 HSL400 ROTA NC-D 400 ROTA NC-O 400 TH400 THF400 HSG500 TH500 THF500	KFD400-500-630-800 LVE400-500-630-800 KFD-HE400 KFD-HF400-500 KFD-HS400-500 KFH400-500 KFH-F400-500 KFH-G400-500 KFH-NC400-500 KFL600

morsetti non forati-forati undrilled-drilled jaws

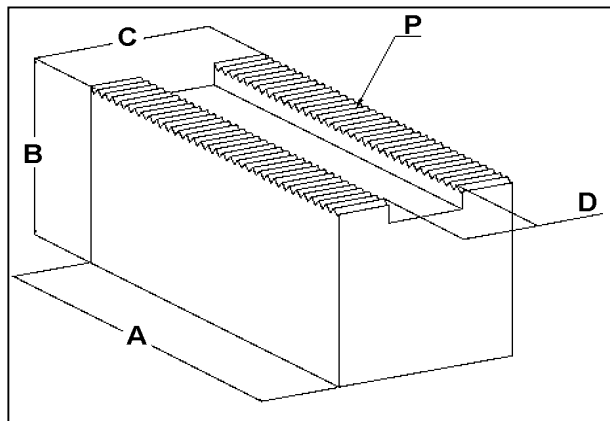
catalogo | catalogue

MATERIALE / material : S235JR (Fe37)

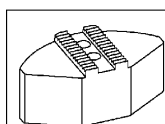
DENTATURA / pitch: 1,5x60°

MANDRINI / chucks

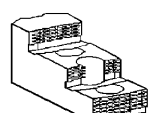
SMW - AUTOBLOK
HOWA - KITAGAWA
MATSUMOTO - SCHUNK
AUTOSTRONG-SAMCHULLY-SEOAM



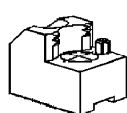
NON FORATI /undrilled	P	A	B	C	D	KG(NF)	G	FORATI /drilled
TJBM50NF	1.5x60°	55	50	25	10	0,4	9-14	TJBM50F
TJBM70NF	1.5x60°	75	60	35	12	1,2	11-18	TJBM70F
TJBM81NF	1.5x60°	70	40	40	14	0,9	13-19	TJBM81F
TJBM82NF		95	40	40	14	1,2	13-19	TJBM82F
TJBM83NF		70	60	40	14	1,3	13-19	TJBM83F
TJBM84NF		95	60	40	14	1,8	13-19	TJBM84F
TJBM80NF		95	80	40	14	2,4	13-19	TJBM80F
TJBM85NF		95	100	40	14	3	13-19	TJBM85F
TJBM86NF		70	60	60	14	2	13-19	TJBM86F
TJBM87NF		70	60	80	14	2,6	13-19	TJBM87F
TJBM108NF	1.5x60°	110	40	40	16	1,6	13-19	TJBM108F
TJBM101NF		90	60	40	16	1,7	13-19	TJBM101F
TJBM102NF		110	60	40	16	2,1	13-19	TJBM102F
TJBM100NF		110	80	40	16	3	13-19	TJBM100F
TJBM103NF		110	100	40	16	3,5	13-19	TJBM103F
TJBM104NF		110	120	40	16	5,2	13-19	TJBM104F
TJBM105NF		95	60	60	16	2,7	13-19	TJBM105F
TJBM106NF		95	90	60	16	4	13-19	TJBM106F
TJBM107NF		95	60	80	16	3,6	13-19	TJBM107F
TJBM119NF	1.5x60°	130	50	50	21	2,6	17-25	TJBM119F
TJBM120NF		130	60	50	21	3,1	17-25	TJBM120F
TJBM121NF		130	80	50	21	4,1	17-25	TJBM121F
TJBM122NF		130	120	50	21	6,1	17-25	TJBM122F
TJBM123NF		130	150	60	21	9,2	17-25	TJBM123F
TJBM124NF		130	80	80	21	6,4	17-25	TJBM124F
TJBM126NF		130	100	50	21	4,7	17-25	TJBM126F



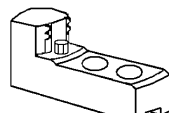
Pag. 54



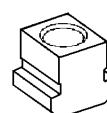
Pag. 68



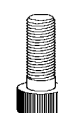
Pag. 76



Pag. 122

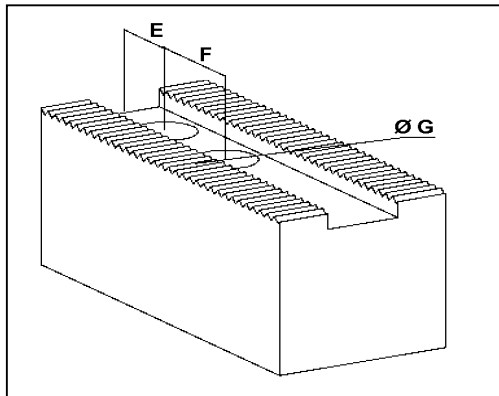


Pag. 146



Pag. 164

morsetti non forati-forati undrilled-drilled jaws



FORATI A RICHIESTA / Drilled upon request

IMPORTANTE :
PER I MORSETTI RICHIEST **FORATI**
INDICARE ALL'ORDINE LE QUOTE :
E - F

Important :
for **drilled** jaws please indicate "E-F"
dimensions upon order

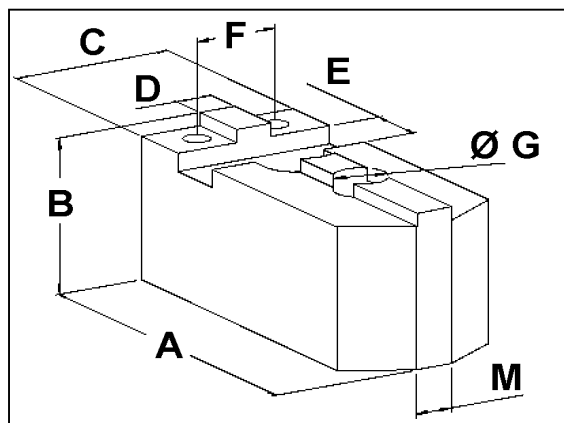
AUTOBLOK-SMW	HOWA	SAMCHULLY	KITAGAWA	MATSUMOTO	SCHUNK
	HO1MA4 HO24M5	Ø 110	HJ-4;AS110 N4;B205;B204	H-4-21	
BBM-175;ALM165 ANM165;BHM165 BHM-FC165;HBM165 PBM165	HO1MA6;HO7MA6 HO15M6;HO22M6 HO24M6;HO27M6 HO37M6;HO47M6	Ø 165	HJA5-6;HOS6;HOH106 AS165;B7;B106;B160 B06;HOH160;HOH06 N160;N06;HOB6 B206;HOH206		ROTA NCK165
BBM210;ALM210 ANM210;BHM210 BHM-FC210;HBM210 PBM210	HO7MA8;HO15M8 HO23M8	Ø 210	B200;B8;N200 N8;AS210;B108 HOH108;HOS8;B208 HOH208;HO8;HOB8 HJA6-8;HOH200;HOH8	HA6-8;HX8 H8;HH8 HJ8;HHJ8 ZA6-8-66 STC8 ZA6-8-52	ROTA NCK210
BBM250;ALM250 ANM250;BHM250 BHM-FC250;HBM250 PBM250	HO27M8;HO22M8 HO47M8;HO37M8 HO24M8;HO7MA10 HO15M10;HO23M10	Ø 254-270	B250;B10;HOH250 HOH210;HOH10;HOH110 B210;HOB10;AS250 N250;N10;HJA6-10 HJA8-10;HOS10 HO10;B110	HA6-10;HA8-10 ZA6-10-72B HX10;H10 HH10;HHL10 HJ10;HHJ10 STC10;HA8-11	ROTA NCK250
BBM315;ALM315 ANM315;BHM315 BHM-FC315;HBM315 PBM315	HO27M12;HO47M12 HO37M12	Ø 304	B212		ROTA NCK315

morsetti teneri standard in acciaio

standard soft jaws

catalogo | catalogue

MATERIALE / material : C45



INCASTRO A CROCE / tongue & groove

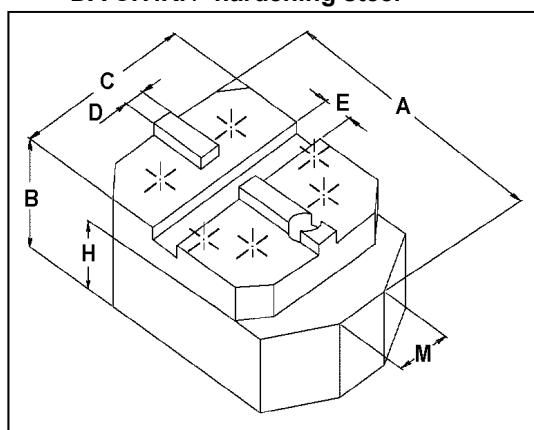
MANDRINI / chucks : AUTOBLOK AN-RM BH-RM

CODICE /code	Ø MAND / chuck	A	B	C	D	E	F	G	M	KG
AN-BH-RM.165	165	80	35	35	7,94	12,68	18	11	8	0,58
AN-BH-RM.210	210	98	40	40	7,94	12,68	18	13	12	0,97
AN-BH-RM.250	250	120	50	50	12,7	19,03	26	17	20	1,92
AN-BH-RM.315	315	145	50	50	12,7	19,03	26	17	20	2,38
AN-BH-RM.400	400	170	50	60	12,7	19,03	35	21	20	4,0

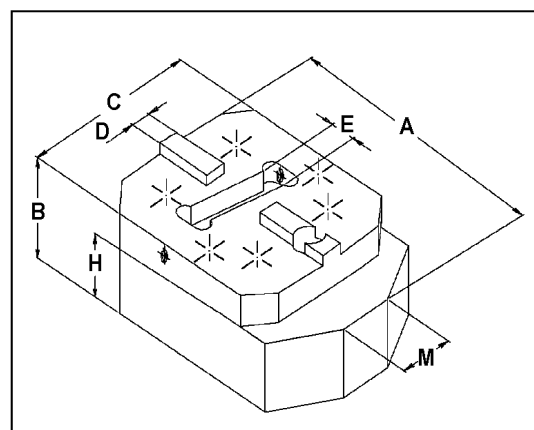
MATERIALE / material : 18NiCrMo5

INCASTRO A CROCE / tongue & groove

DA C.T.R. / hardening steel



TIPO / type I



TIPO / type II

MANDRINI / chucks : AUTOBLOK TSF-RM TSR-RM

CODICE /code	Ø MAND / chuck	TIPO	A	B	C	D	E	H	M	KG
10TSRM170C	170	I	80	58	58	7,94	12,68	43	10	
10TSRM170I		II	80	58	58	7,94	9	43	10	
10TSRM210C	210	I	96	68	68	7,94	12,68	53	10	
10TSRM210I		II	96	68	68	7,94	9	53	10	
10TSRM250C	250-315	I	115	68	78	12,7	19,03	53	10	
10TSRM250I		II	115	68	78	12,7	12	53	10	

I MORSETTI PER I MANDRINI TS VENGONO FORNITI TRACCIATI SENZA FORATURE E A RICHIESTA, FORATI.
Jaws for "TS" chuck are available undrilled, but upon request drilled.

A RICHIESTA SI REALIZZANO ELEMENTI DI APPOGGIO PER MANDRINI "TS" ED ATTREZZATURE SPECIALI.
Special pieces and / or equipments can be supplied upon request. Please contact us.

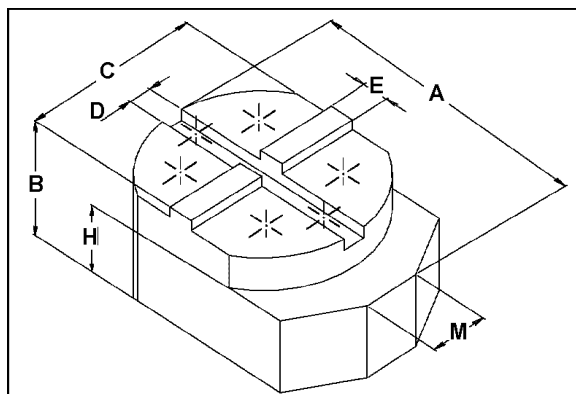
morsetti teneri standard in acciaio

standard soft jaws

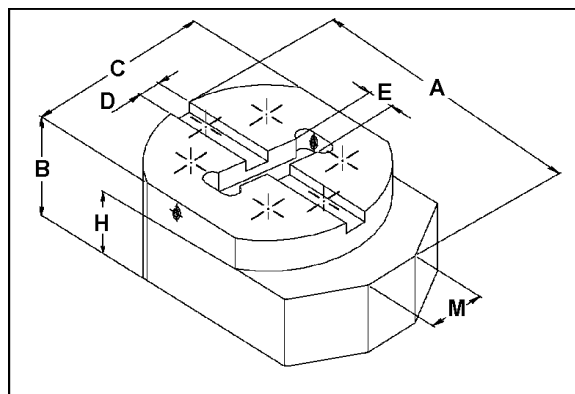
catalogo | catalogue

MATERIALE : ACCIAIO 18NiCrMo5
DA C.T.R. / hardening steel

INCASTRO A CROCE / tongue & groove



TIPO / type I

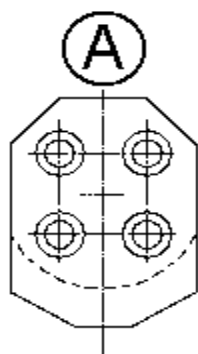


TIPO / type II

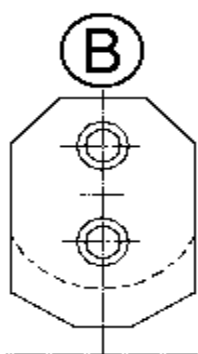
MANDRINI / chuck :		AUTOBLOK	TSF-C	TSR-C								
CODICE / code	Ø MAND / chuck	TIPO	A	B	C	D	E	H	M			KG
10TS170C48	170	I	78	48	58	7,94	12,68	33	10			1,3
10TS170I48		II	78	48	58	7,94	9	33	10			1,3
10TS170C68		I	78	68	58	7,94	12,68	53	10			2,0
10TS170I68		II	78	68	58	7,94	9	53	10			1,9
10TS210C48	210	I	90	48	68	7,94	12,68	28	20			1,8
10TS210I48		II	90	48	68	7,94	9	28	20			1,9
10TS210C68		I	90	68	68	7,94	12,68	48	20			2,8
10TS210I68		II	90	68	68	7,94	9	48	20			2,8
10TS250C48	250-315	I	110	48	78	12,7	19,03	28	20			2,4
10TS250I48		II	110	48	78	12,7	12	28	20			2,5
10TS250C68		I	110	68	78	12,7	19,03	48	20			3,6
10TS250I68		II	110	68	78	12,7	12	48	20			3,7

I MORSETTI PER I MANDRINI "TS" VENGONO FORNITI TRACCIATI SENZA FORATURE E A RICHIESTA, FORATI. INDICARE IL TIPO DI FORATURA. ES : **10TS170C48A** PER UNA FORATURA DI TIPO "A".

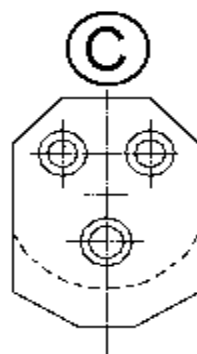
Jaws for "TS" chuck are available undrilled, but upon request drilled. Please state type of drilling. example : **10TS170C48A** for type "A" drilling.



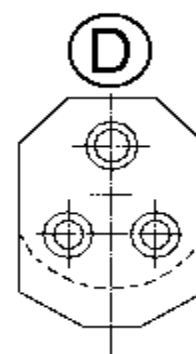
ASSE MANDRINO



chuck axis



ASSE MANDRINO



chuck axis

A RICHIESTA SI REALIZZANO ELEMENTI DI APPOGGIO PER MANDRINI "TS" ED ATTREZZATURE SPECIALI. Special pieces and / or equipments can be supplied upon request. Please contact us.

morsetti teneri standard in acciaio

standard soft jaws

catalogo | catalogue

MATERIALE / material : S235JR (Fe37)

INCASTRO A CROCE / tongue & groove

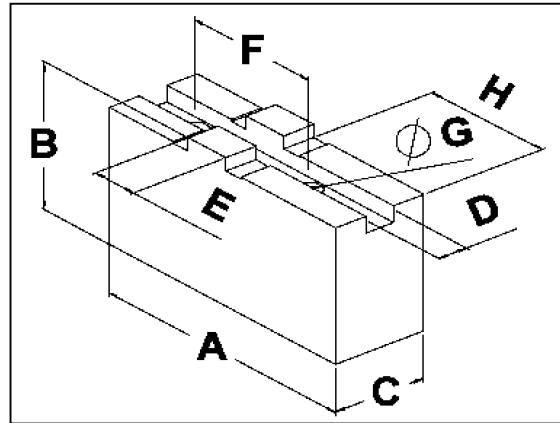
MANDRINI / chucks

SMW - AUTOBLOK

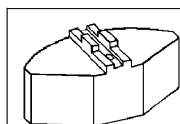
BERG - FORKARDT

KITAGAWA

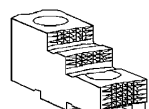
ROHM - SCHUNK-SAMCHULLY



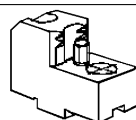
CODICE / code	Ø MAND / chuck	A	B	C	D	E	F	G	H	KG
23.22.99/F	140	69	40	20	8	18	32	9	26	0,3
23.22.00/F	160	85	40	20	8	18	32	9	42	0,4
23.22.01/F	200	105	50	25	10	20	40	9	51	0,6
23.22.02/F	250	125	50	30	12	20	40	13	69	1,1
23.22.03/F	315	145	60	35	12	26	54	13	74	1,9
23.22.04/F	400	180	80	50	18	30	60	17	100	4,6
23.22.05/F	500	220	90	60	18	40	76	17	122	8,0
23.22.06/F	630	260	120	60	24	40	82	21	150	12,0



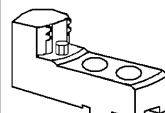
Pag. 58



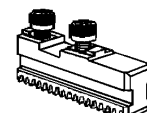
Pag. 72



Pag. 90



Pag. 136



Pag. 62



Pag. 164

	SMW-AUTOBLOK	BERG	FORKARDT	KITAGAWA	ROHM	SCHUNK
	KNCS140;KNCS/N140				DURO-NC140; DURO-NC168	
	RMG160;HG160;KNSP160; HG/F160;HG/N160;KNCS160; KNCS175;KNCS/N170	KHNC160; KHNC185	F160;KTNC160; KTNCV175;F+160; KTNCV160;FNC175		DURO160; DURO/NC160; DURO/NCE160; DURO/NC175	ROTA/G160; ROTA NCW185; ROTA/S160; ROTA/Splus160; THW165/R
	RMG200;HG200;KNSP200; KNCS200;HG/F210;HG/N210; KNCS225;KNCS/A200; KNCS/N210	KHNC200	F200;KTNC200; KTNCV200;F+200; FNC200	QJ8; QJ210-43;	DURO200; DURO/NC200; DURO/NCE200; DURO/NC225	ROTA/G200; ROTA/NCW225; ROTA/NCWF210; ROTA/S200; ROTA/S plus 200; THW210R/F
	RMG250;HG250;HG315; KNCS250;KNCS260;KNCS315 HG/F260;HG/F315;HG/N260; HG/N315;KNCS/A250; KNCS/A315;KNCS/N260; KNCS/N315	KHNC250; KHNC315	F250;UNC250; UNC315;KTNC250; KTNCV250;KTNC265; KTNC280;KTNC315; KTNCV315;F+250; FNC250;FNC315;	QJ10; QJ254-65; QJ12; J315-78;	DURO250; DURO/NC250; DURO/NCE250; DURO/NCE315	ROTA/G250-315; ROTA/NCW265-315; ROTA/NCWF250-315; ROTA/S250; ROTA/S plus 250; THW250-265 R/F; THW315R;
	RMG315; HG400; KNCS400; HG/N400; KNCS/A400; KNCS/N400	KHNC400	F315;UNC400; KTNC360;KTNC400; KTNCV400;F+315; FNC400;		DURO315; DURO/NC315; DURO/NCE400;	ROTA/G400; ROTA/NCW400; ROTA/S315; ROTA/S plus 315; THW315F; THW400 R/F;
	HG500;HG630;KNCS500; KNCS630;HG/F400;HG/N500; HG/N630;KNCS/A500; KNCS/N500;KNCS/N630	KHNC500	F400;F500L;UNC500; KTNC500;KTNC630; KTNCV500; KTNCV630;F+400; F+500;FNC500; FNC630;		DURO400; DURO/NC400; DURO500; DURO/NC500; DURO/NCE500;	ROTA/G500; ROTA/S400-500; ROTA/S plus 400; ROTA/S plus 500; THW500-630R;
			F500S			
	HG/F630		F630		DURO630 DURO/NC630	ROTA/G630 ROTA/S630 ROTA/S plus 630

morsetti teneri standard in acciaio

standard soft jaws

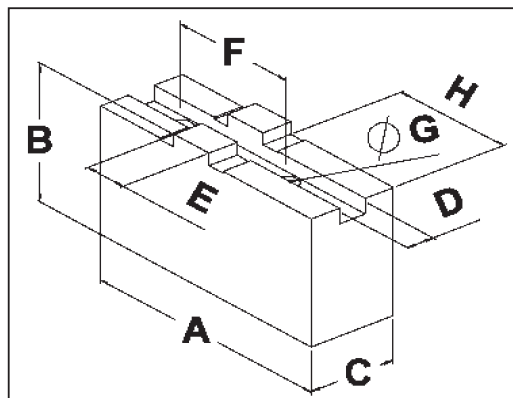
catalogo | catalogue

MATERIALE / material : S235JR (Fe37)

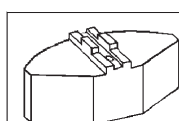
INCASTRO A CROCE / tongue & groove

MANDRINI / chucks

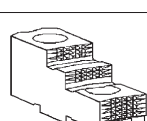
SMW - AUTOBLOK - MPT
BERG - FORKARDT
KITAGAWA
ROHM - SCHUNK-SAMCHULLY



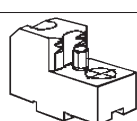
CODICE /code	Ø MAND / chuck	A	B	C	D	E	F	G	H	KG
2399/F403563	140	63	40	35	8	18	32	9	26	0,5
2300/F502585	160	85	50	25	8	18	32	9	42	0,6
2300/F603075		75	60	30	8	18	32	9	35	0,7
2300/F803570		70	80	35	8	18	32	9	26	1,1
2301/F6030100	200	100	60	30	10	20	40	9	45	1,0
2301/F7030100		100	70	30	10	20	40	9	45	1,1
2301/F404070		70	40	40	10	20	40	9	27	0,7
2301/F604090		90	60	40	10	20	40	9	43	1,3
2301/F804095		95	80	40	10	20	40	9	52	1,9
2302/F6040125	250-315	125	60	40	12	20	40	13	70	1,3
2302/F6040145		145	60	40	12	20	40	13	70	1,7
2302/F8040125		125	80	40	12	20	40	13	70	2,5
2302/F10040125		125	100	40	12	20	40	13	70	3,2
2302/F12040125		125	120	40	12	20	40	13	70	3,8
2302/F606090		90	60	60	12	20	40	13	44	2,1
2302/F6060110		110	60	60	12	20	40	13	60	2,5
2302/F806090		90	80	60	12	20	40	13	44	3,1
2302/F8060110		110	80	60	12	20	40	13	60	3,8
2302/F608090		90	60	80	12	20	40	13	44	2,8
2302/F8080110	110	80	80	12	20	40	13	60	4,1	
2303/F6040110	315-400	110	60	40	12	26	54	13	54	1,6
2303/F6040145		145	60	40	12	26	54	13	74	2,2
2303/F10040145		145	100	40	12	26	54	13	74	3,7
2303/F12040145		145	120	40	12	26	54	13	74	4,5
2303/F15040145		145	150	40	12	26	54	13	74	5,6
2303/F6060110		110	60	60	12	26	54	13	54	2,5
2303/F8060110		110	80	60	12	26	54	13	54	3,4
2303/F10060110		110	100	60	12	26	54	13	54	4,7
2303/F8080100		100	80	80	12	26	54	13	37	3,7
2304/F8060155	400-500	155	80	60	18	30	60	17	75	4,6
2304/F12060155		155	120	60	18	30	60	17	75	6,5
2304/F8080155		155	80	80	18	30	60	17	75	7,0
2304/F10080155		155	100	80	18	30	60	17	75	8,8
2304/F9090130		130	90	90	18	30	60	17	50	5,5
2304/F80100150		150	80	100	18	30	60	17	70	6,7



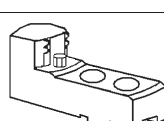
Pag. 58



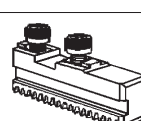
Pag. 72



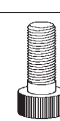
Pag. 90



Pag. 136



Pag. 62



Pag. 164

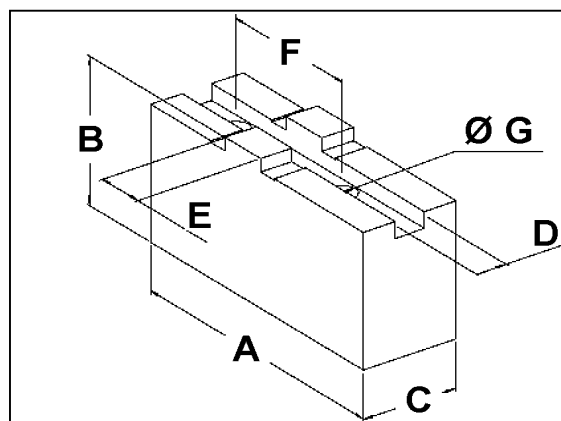
	SMW/AUTOBLOK - MPT	BERG	FORKARDT	KITAGAWA	ROHM	SCHUNK
	KNCS-N140;KNCS140				DURO-NC140/168	
	HG-N160;HG-F160;KNCS-N170 RMG160;HG160;KNSP160 KNCS160;KNCS175	KHNC160 KHNC185	F160;KTNC160 KTNCV160;FNC175 KTNCV175;F+160		DURO160 DURO-NC160/175 DURO-NCE160	ROTA-S160;THW165 ROTA-G160;ROTA-NCW185 ROTA-S PLUS160
	HG-N210;HG-F210;KNCS-N210 KNCS-N225;KNCS-NB210; RMG200;HG200;KNSP200; KNCS200;KNCS210	KHNC200	F200;KTNC200 KTNCV200;FNC200 F+200	QJ8 QJ210-43	DURO200 DURO-NC200 DURO-NC225 DURO-NCE200	ROTA-S200;THW210-F-R ROTA-G200;ROTA-NCW225 ROTA-S PLUS200 ROTA-NC-WF210
	HG-N260;HG-N315;HGF260 KNCS-N260;KNCS-N315 KNCS-NB260;KNCS-NB315 RMG250;HG250;HG315 KNCS250;KNCS260 KNCS315	KHNC250 KHNC315	F250;UNC250/315 KTNC250;KTNCV250 KTNC265/280/315 KTNCV315 FNC250/315 F+200	QJ10 QJ254-65 QJ12 QJ315-78	DURO250 DURO-NC250 DURO-NCE250 DURO-NCE315	ROTA-S250;ROTA-G250 THW250-F-R;THW265-F-R THW315-R;ROTA-NC-WF250 ROTA-S-PLUS250 ROTA-NC-W265 ROTA-G315;ROTA-NCW315 ROTA-NC-WF315
	HG-N400;HG-F315 KNCS-N400;KNCS-NB400 RMG315;HG400;KNCS400	KHNC400	F315;UNC400 KTNC360/400 KTNCV400 FNC400;F+315		DURO315 DURO-NC315 DURO-NCE400	ROTA-S315;THW315F THW400-F-R ROTA S-PLUS315 ROTA-G400 ROTA-NCW400
	HG-N500/630;HG-F400/500 KNCS-N500;KNCS-N630 KNCS-NB500;KNCS-NB630 KNCS-NB800;HG500/630 KNCS500/630	KHNC500	F400/500L;UNC500 KTNC500/630 KTNCV500/630 FNC500/630 F+400/500		DURO400/500 DURO-NC400/500 DURO-NCE500	ROTA-S400/500 THW500-F-R;THW630-R ROTA-S-PLUS400/500 ROTA-G500

MATERIALE / material : S235JR (Fe37)

INCASTRO A CROCE / tongue & groove
AMERICAN STANDARD

MANDRINI / chucks

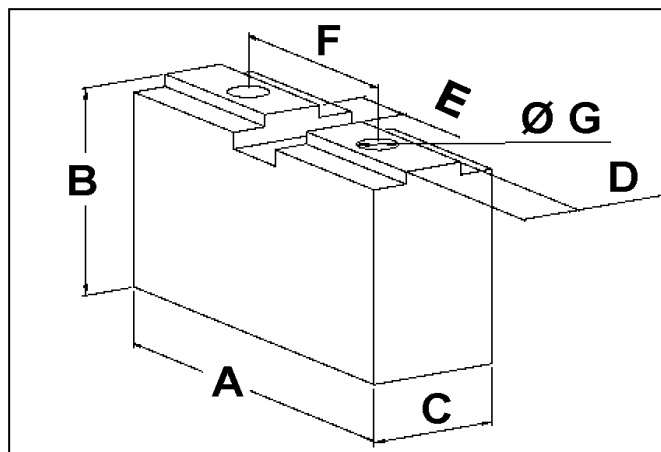
AUTOBLOK - FIAL- KENNON
LADNER-BURNERD - M.P.T. PINTO
ROHM - SCA - SAMCHULLY - BISON



CODICE /code	Ø MAND / chuck	A	B	C	D	E	F	G	KG
26.22.00/R	100-110	53	30	25	7,96	9,49	24	7	0,24
26.22.01/R	125	62	40	25	7,96	12,67	32	9	0,36
26.22.02/R	140-160	74	45	30	7,96	12,67	38,1	9	0,61
26.22.02/R M10		74	45	30	7,96	12,67	38,1	11	0,61
29.22.02/L	140-160	76	40	25	7,96	12,67	38,1	11	0,52
26.22.10/R		80	40	30	7,96	12,67	38,1	11	0,58
26.22.03/R	200-210	87	45	30	7,96	12,67	44,45	9	0,76
26.22.03/R M10		87	45	30	7,96	12,67	44,45	11	0,76
29.22.03/L	200-210	92,5	50	30	7,96	12,67	44,45	11	0,85
29.22.12/L		92,5	50	50	7,96	12,67	44,45	11	1,53
26.22.11/R	200-210	100	40	40	7,96	12,67	44,45	13	0,92
26.22.04/R		103	50	35	12,72	19,02	53,95	13	1,10
29.22.04/L	250	112,5	60	35	12,72	19,02	53,95	13	1,91
29.22.13/L		112,5	60	60	12,72	19,02	53,95	13	3,52
26.22.12/R	250	120	50	50	12,72	19,02	53,95	17	1,25
26.22.05/R		120	60	40	12,72	19,02	63,5	13	1,87
26.22.05/R L140	305-315	140	60	40	12,72	19,02	63,5	13	2,20
29.22.05/L		122,5	60	35	12,72	19,02	63,5	13	2,10
29.22.14/L		122,5	60	60	12,72	19,02	63,5	13	3,86
26.22.13/R	305-315	140	50	50	12,72	19,02	63,5	17	3,60
29.22.06/L		140	70	40	12,72	19,02	76,2	17	2,6
26.22.06/R	350-380-400	140	70	50	12,72	19,02	76,2	17	3,10
29.22.15/L		140	70	70	12,72	19,02	76,2	17	5,69
26.22.07/R	400-460	160	80	50	12,72	19,02	76,2	21	4,00
26.22.14/R	500	165	60	60	12,72	19,02	76,2	21	2,15
26.22.15/R	630-800	165	75	75	12,72	19,02	76,2	21	5,50

BISON	AUTOBLOK	FIAL-KENNON	LADNER	LADNER-BURNERD	M.P.T-PINTO	ROHM	SCA
			Ø100	Ø100		ZGU;ZSU;ZGF 100-110	Ø100
Ø125			Ø125	Ø100	SGS/SGSF 125	ZGU;ZSU;ZGF 125	Ø100
						ZGU;ZSU;ZGF 140-160	
Ø140-160	AL-C;AN-C 165; PB-C;HB-C 165;	Ø160	Ø160	Ø160	SGS/SGSF 160	ZGU-ZSU;ZGF 140-160 (ATTACCO ISO 3442 3/8")	Ø160
						ZGU;ZSU;ZGF;UGU; USU 200; ZGD200-230	
Ø200		Ø200-215	Ø200-215	Ø200-215	SGS/SGSF 200	ZGU-ZSU;ZGF 200-210 (ATTACCO ISO 3442 3/8")	Ø200
	AL-C;AN-C 210; RAN200 PB-C;HB-C 210;						
Ø250		Ø250	Ø250	Ø250	SGS/SGSF 250	ZGU;ZSU;ZGF250; ZGD250-270; UGU;USU 260	Ø250
	AL-C;AN-C 250; PB-C;HB-C 250;						
Ø315		Ø315	Ø315	Ø315	SGS/SGSF 315	ZGD;ZGU; ZSU;ZGF315; UGU;USU 315-350	Ø305
	AL-C;AN-C;RC-C;NTLC PB-C;HB-C 305-315						
Ø400		Ø400	Ø350-400	Ø350-380-400	SGS/SGSF 400	ZGD;ZGU;ZSU;ZGF; UGU315; USU310-350	Ø400
Ø500-630-800	AL-C;AN-C 400; IL-C;IN-C 500-630; IL-C;IN-C 800;	Ø500	Ø500-630	Ø460-500-630	SGS/SGSF 500-630	ZGF;ZGU;ZSU350-400; ZGD400; UGU;USU400-450	Ø460-610

MATERIALE / material : S235JR (Fe37)



INCASTRO A CROCE / tongue & groove

MANDRINI / chucks : AMESTRA

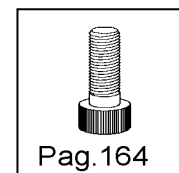
CODICE /code	Ø MAND / chuck	A	B	C	D	E	F	G	KG
29.22.21/L	200	93	50	30	14	16	50	9	1,18
29.22.22/L	250	103	60	35	16	20	60	11	1,79
29.22.23/L	300	120	60	40	18	20	66	13	2,42

MANDRINI / chucks : FIAL MANUALE / manual

CODICE /code	Ø MAND / chuck	A	B	C	D	E	F	G	KG
17.22.00/F	85	47	25	15	8	12	19	5	0,1
17.22.01/F	105	53	25	15	8	12	19	6	0,12
17.22.02/F	130	62	30	20	10	14	22,25	7	0,22
17.22.03/F	160	72	35	20	10	20	33,5	9	0,29
17.22.04/F	190-200	85	40	25	10	20	33,5	9	0,53
17.22.05/F	230	100	40	25	10	20	39,25	9	0,65
17.22.06/F	250-270	110	50	30	12	22	45,5	9-11*	1,11
17.22.07/F	310-350	130	60	30	14	28	61	13	1,51
17.22.08/F	400	180	70	40	16	32	91	13	3,5

* SPECIFICARE ALL ' ORDINAZIONE

* Please state upon ordering



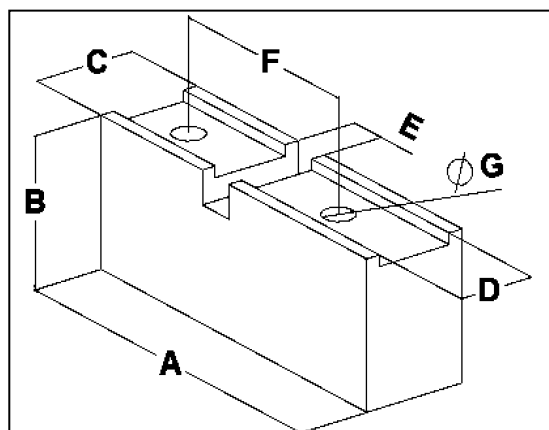
Pag.164

morsetti teneri standard in acciaio

standard soft jaws

catalogo | catalogue

MATERIALE / material : S235JR (Fe37)



INCASTRO A CROCE / tongue & groove

MANDRINI / chucks :	SMW/AUTOBLOK	SERIE / model:	RMG
	ROHM	SERIE / model:	DURO

CODICE /code	Ø MAND / chuck	A	B	C	D	E	F	G	KG
23.22.98/F	125	55	30	20	14	5	20	7	0,2

MANDRINI / chucks :	FORKARDT	SERIE / model:	F
----------------------------	-----------------	-----------------------	----------

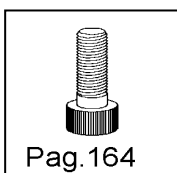
CODICE /code	Ø MAND / chuck	A	B	C	D	E	F	G	KG
23.22.96/F	80	38	25	15	9	4	16	6	0,1
23.22.97/F	100	46	30	20	11	5	19	6	0,2
23.22.98/F	125	55	30	20	14	5	20	7	0,2

MANDRINI / chucks :	KENNON COREANO/korean	MANUALE / manual
----------------------------	------------------------------	-------------------------

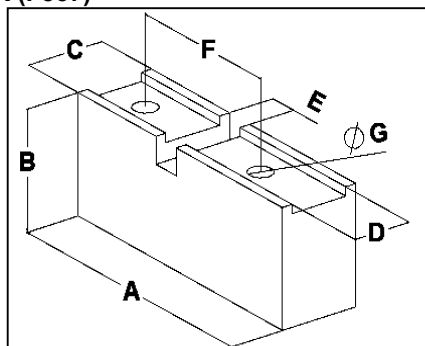
CODICE /code	Ø MAND / chuck	A	B	C	D	E	F	G	KG
30.22.00/K	200	100	40	30	13	13	56	11	0,7
30.22.01/K	250	120	50	30	13	13	70	11	1,2
30.22.02/K	320	140	60	40	16	16	88	13	2,3
30.22.03/K	400	180	70	40	16	16	100	13	3,5

MANDRINI / chucks :	TOS	MANUALE / manual
----------------------------	------------	-------------------------

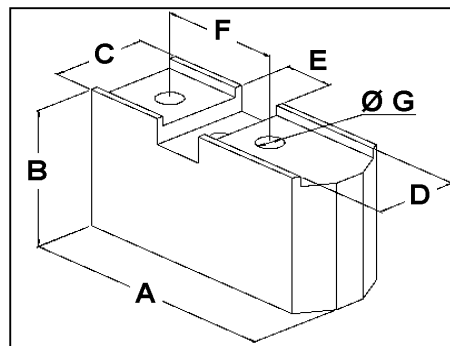
CODICE /code	Ø MAND / chuck	A	B	C	D	E	F	G	KG
28.22.00/T	100	50	20	20	14	10	20	5,5	0,1
28.22.01/T	125	65	25	25	16	12	28	5,5	0,3
28.22.02/T	160	80	35	25	18	12	38	7	0,4
28.22.04/T	200	100	40	30	22	14	48	11	0,7
28.22.06/T	250	125	40	30	25	14	55	11	1,0
28.22.07/T	315	155	60	40	32	20	60	13	2,3
28.22.08/T	400-630	165	70	40	32	20	70	13	3,0



MATERIALE / material : S235JR (Fe37)



TIPO / type I



TIPO / type II

INCASTRO A CROCE
tongue & groove

MANDRINI / chucks : M.P.T.-PINTO MANUALE / manual

CODICE /code	Ø MAND / chuck	TIPO	A	B	C	D	E	F	G	KG
13.22.00/P	105	I	55	20	20	14	9	25	7	0,13
13.22.01/P	130	I	70	25	20	16	9	36	7	0,22
13.22.02/P	160	I	80	35	25	18	9	40	7	0,45
13.22.03/P	180-200	I	100	40	25	20	10	53	9	0,64
13.22.03/P C30	180-200	I	90	40	30	20	10	53	9	0,70
13.22.04/P	230-250	I	110	40	30	22	11	62	9	0,87
13.22.05/P	270	I	120	45	30	25	12	68	11	1,05
13.22.05/P H50	270	I	120	50	35	25	12	68	11	1,37
13.22.06/P	270-310	I	135	60	35	28	12	76	13	1,76
13.22.07/P	350-380	I	160	60	40	30	12	92	13	2,61
13.22.08/P	430	I	190	70	50	36	12	120	13	4,70
13.22.09/P	510	I	220	80	50	40	12	120	13	6,20
13.22.10/P	600	I	250	90	60	46	12	130	13	9,80

MANDRINI / chucks : M.P.T.-PINTO AUTOMATICO A LEVE / automatic with levers

CODICE /code	Ø MAND / chuck	TIPO	A	B	C	D	E	F	G	KG
14.22.00/P	130	II	60	30	30	24	12	30	9	0,28
14.22.01/P	160	II	80	40	30	24	18	37	9	0,56
14.22.02/P	200	II	95	50	35	30	18	44	9	1,05
14.22.03/P	230	II	105	45	45	33,5	18	50	11	1,34
14.22.04/P	250	II	115	50	50	37,5	18	54	11	1,85
14.22.05/P	300-350	II	130	55	55	45	18	65	13	2,5
14.22.07/P	400	II	170	55	55	45	18	65	13	3,4

MANDRINI / chucks : M.P.T.-PINTO A PIANI INCLINATI / tilted parts

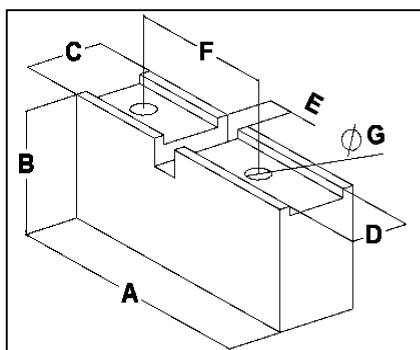
CODICE /code	Ø MAND / chuck	TIPO	A	B	C	D	E	F	G	KG
15.22.00/P	125	II	60	35	35	30	12	28	9	0,4
15.22.01/P	160	II	70	40	40	35	12	28	9	0,66
15.22.02/P	200	II	90	50	50	40	18	40	11	1,35
15.22.03/P	250	II	110	55	55	45	18	50	13	2,1
15.22.04/P	315	II	140	60	60	50	18	50	13	3,32
15.22.05/P	400	II	170	70	70	57	32	70	17	5,09

morsetti teneri standard in acciaio

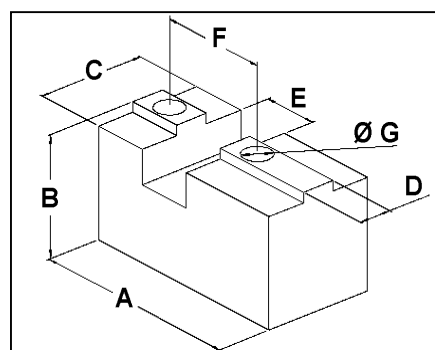
standard soft jaws

catalogo | catalogue

MATERIALE / material : S235JR (Fe37)



TIPO / type I



TIPO / type II

INCASTRO A CROCE
tongue & groove

MANDRINI / chucks : M.P.T.-PINTO SERIE / model : MACC-3

CODICE /code	Ø MAND / chuck	TIPO	A	B	C	D	E	F	G	KG
MACC-3-105	105	ISM	50	30	30	20	10	26	9	0,25
MACC-3-130	130	ISM	57	30	40	20	10	26	9	0,4
MACC-3-150	150	ISM	67	30	40	20	10	26	9	0,45
MACC-3-200	200	ISM	91	40	50	22	10	36	9	1,2

MANDRINI / chucks : ROTOMORS SERIE / model : AM-AT

CODICE /code	Ø MAND / chuck	TIPO	A	B	C	D	E	F	G	KG
18.22.00/R	200	I	100	35	35	30	12	50	11	0,8
18.22.01/R	230	I	110	35	35	30	12	50	11	0,9
18.22.02/R	270	I	120	35	35	30	12	70	11	1,0
18.22.03/R	310	I	140	50	50	40	12	70	13	2,4
18.22.04/R	350	I	150	50	50	40	12	80	17	2,5
18.22.05/R	400	I	170	60	60	40	12	90	17	4,2

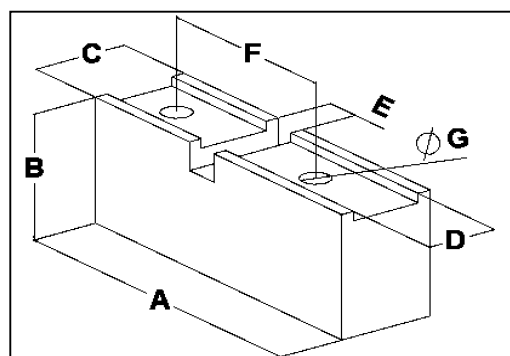
MANDRINI / chucks : ROTOMORS SERIE / model : PN-RA

CODICE /code	Ø MAND / chuck	TIPO	A	B	C	D	E	F	G	KG
20.22.01/R	160	I	70	35	35	27	12	36	9	0,5
20.22.02/R	180	I	75	35	35	27	12	36	9	0,6
20.22.03/R	200	I	80	40	40	32	12	40	11	0,8
20.22.04/R	220	I	85	40	40	35	12	40	11	0,9
20.22.05/R	250	I	100	55	55	45	12	54	13	2,0
20.22.06/R	300	I	130	55	55	45	12	65	15	2,6

MANDRINI / chucks : ROTOMORS SERIE / model : PN-ID

CODICE /code	Ø MAND / chuck	TIPO	A	B	C	D	E	F	G	KG
21.22.00/R	160	II	70	35	35	10,5	18	36	9	0,5
21.22.01/R	180-200	II	80	35	35	10,5	18	36	9	0,6
21.22.02/R	220	II	85	40	40	13	18	36	9	0,9
21.22.03/R	250	II	100	55	55	16	18	40	13	2,0
21.22.04/R	300-400	II	120	55	55	16	26	54	15	2,3

MATERIALE / material : S235JR (Fe37)



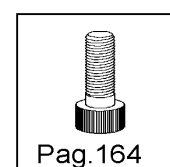
MANDRINI / chucks :		TRIBLOC MANUALE / manual					VECCHIO / old		
CODICE /code	Ø MAND / chuck	A	B	C	D	E	F	G	KG
16.22.01/T	160	70	40	30	22	10	26	9	0,52
16.22.02/T	175	95	50	30	22	10	26	9	0,92
16.22.03/T	200	95	50	30	22	10	26	9	0,92
16.22.04/T	225	95	50	30	22	10	26	9	0,92
16.22.05/T	250	105	50	35	26	10-12*	30	11	1,2
16.22.06/T	275	105	50	35	26	10-12*	30	11	1,2
16.22.07/T	300	120	60	35	26	12	36	11	1,75
16.22.08/T	375	130	70	40	32	16	42	13	2,44

MANDRINI / chucks :		TRIBLOC MANUALE / manual					NUOVO / new		
CODICE /code	Ø MAND / chuck	A	B	C	D	E	F	G	KG
16.22.10/T	130	60	30	20	15	6	20	7	0,21
16.22.11/T	160	70	30	20	15	6	20	7	0,26
16.22.12/T	175	80	40	30	20	10	26	9	0,59
16.22.13/T	200	95	50	30	20	10	26	9-11*	0,93
16.22.14/T	225	95	50	30	20	10	26	9-11*	0,93
16.22.15/T	250	115	50	35	25	12	32	11	1,33
16.22.16/T	275	115	50	35	25	12	32	11	1,33
16.22.17/T	300	130	50	35	25	12	32	11	1,5
16.22.18/T	375	130	70	40	32	16	42	13	2,44

MANDRINI / chuck :		TRIBLOC MANUALE / manual					NUOVISSIMO / newest		
CODICE /code	Ø MAND / chuck	A	B	C	D	E	F	G	KG
16.22.20/T	100	50	30	20	12	6	20	7	0,2
16.22.21/T	125	65	30	25	16	6	20	9	0,29
16.22.22/T	160	70	30	25	16	6	20	9	0,34
16.22.23/T	175-200	90	45	30	19	8	26	9	0,78
16.22.24/T	225-250	110	50	30	22	10-12*	32	11	1,05
16.22.28/T	275	130	60	35	25	12	32	13	1,79
16.22.25/T	315	130	60	35	27	12	38	13	1,8
16.22.26/T	350-400	160	70	40	32	16-19*	48	17	2,85
16.22.27/T	450	200	80	50	38	16-19*	60	17	5,35

* SPECIFICARE ALL ' ORDINAZIONE

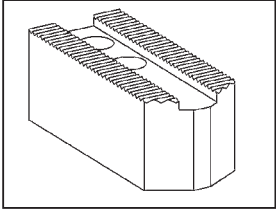
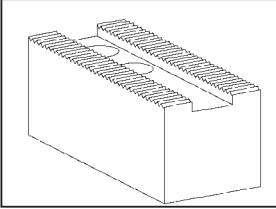
* Please state upon ordering

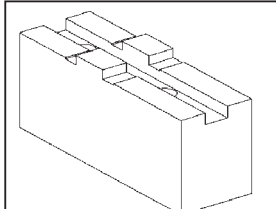
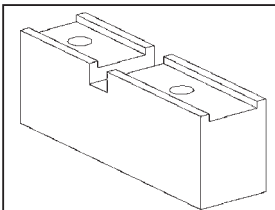


Pag.164

morsetti teneri standard in alluminio

standard aluminium soft jaws

MANDRINO / chuck	PAG.	DENTATURA / pitch : 1/16"x90°- 3/32"x90°-1,5x60°
SMW-AUTOBLOK	42-45	 
BERG	42-43	
FORKARDT	42-43	
GAMET	42-43	
GEIGER+HAAG	42-43	
HOWA	44-45	
KITAGAWA	44-45	
MATSUMOTO-AUTOSTRONG-SAMCHULLY-SEOAM	44-45	
ROHM	42-43	
SCHUNK	42-45	

MANDRINO / chuck	PAG.	INCASTRO A CROCE tongue & groove
SMW- AUTOBLOK	46-47	
BERG	46-47	
FORKARDT	46-47	
M.P.T. MANUALI	48	
ROHM	46-47	
SCHUNK	46-47	

morsetti teneri standard in alluminio

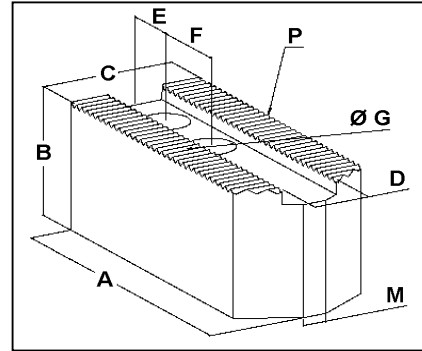
standard aluminium soft jaws

MATERIALE / material : ERGAL 7075

DENTATURA / pitch : 1/16"x90°
3/32"x90°

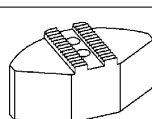
MANDRINI / chucks

AUTOBLOK - BERG
FORKARDT - GAMET
GEIGER+HAAG - ROHM
SCHUNK - SMW

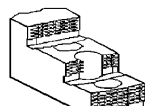


TIPO / type I

CODICE /code	Ø MAND / chuck	P	TIPO	A	B	C	D	E	F	G	M	KG	AUTOBLOK
10.22.01/AL	125-130	1/16"x90°	I	60	30	30	12	15	16	9	8	0,11	AND125;ALD125;BHD130; BBD140;HYDS150;PBD130; HBD130;GHDN125;IDN125
10.22.02/AL 10.22.02/AL50	154-170	1/16"x90°	II	75 75	35 50	35 35	14 14	16 16	16 16	11 11	8 8	0,18 0,27	AND165;ALD165;BHD165; BHD;FC165;RCD165; PBD165;HBD165;GHDN165; GHD/FC165;PBD165;
24.22.00/F AL	160	1/16"x90°	II	70	60	40	17	15	22	13	-	0,37	
24.22.01/F AL 10.22.05/AL	200	1/16"x90°	II I	90 95	60 40	40 40	17 17	25 20	22 23	13 13	- 12	0,50 0,35	AND210;ALD210;BHD210; BBD210;HYDS210;RCD210; CD200;IDN200;IDN220; IDL200;HDN200;HDL200; GHDN210;HDN/FC200; GHD/FC210;PBD210; HBD210;PBDI210; BHD/FC210;HYDS226;
24.22.02/F AL 10.22.07/AL 10.22.08/AL	250-315	1/16"x90°	II I I	120 115 130	80 50 50	50 50 50	21 21 21	30 20 22	28 30 30	17 17 17	- 20 20	1,13 0,60 0,72	AND250;ALD250;BHD250; BBD250;HYDS250;BHD- FC250;RCD250;PBD250; HBD250;PBDI250;CD250; IDN250;IDL250;HDN/FC250; HDL250;GHDN250;HDN250; GHD/FC250;AND315; ALD315;BHD315;BBD315; HYDS315;BHD/FC315;RCD305; CD315/65;CD315/85; PBD315;HBD315;PBDI315; IDN315;IDL315;HDN315; HDL315;GHDN315;HDN/FC315; GHD/FC305;HYD350
24.22.04/F AL 10.22.10/AL	400-500	3/32"x90°	II III	155 170	100 60	60 60	25,5 25,5	30 27	35 38	21 21	- -	2,2 1,32	GHDN500 HDN/FC500 RCD500



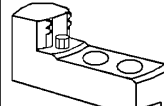
Pag. 54



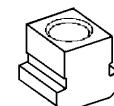
Pag. 68



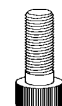
Pag. 76



Pag.122



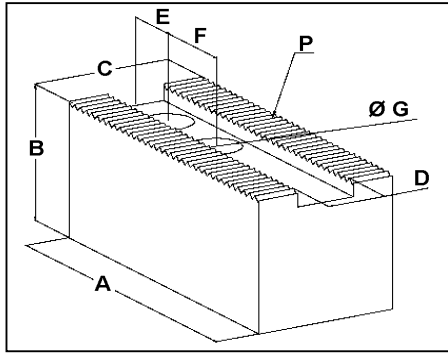
Pag. 146



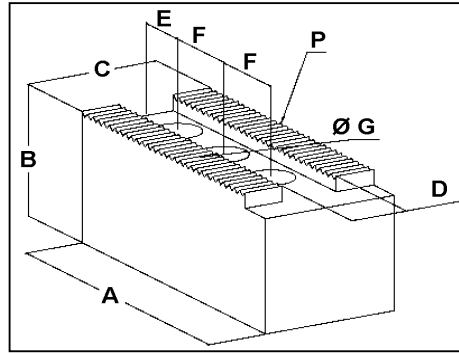
Pag. 164

morsetti teneri standard in alluminio

standard aluminium soft jaws



TIPO / type II



TIPO / type III

	BERG	FORKARDT	GAMET	GEIGER+HAAG	SCHUNK	ROHM	SMW
	KF130			GHGY120;GHGY130 GHGY160;GHGY200		KFD130;KFH140	KDV130
			MAC165; MAC170; DELTA170; GA160; GA170;		TP160		
		KGH170;KGH175; KTG160; KGHF160; KGHF175; KTN160; KS160; KL160;KSPS160;KSF175;UVE160; NH160;KSH160;QLC175;KTH160; KTH175		GHFA175;GHN160; GHSH160;GHKS160; GHKS250;GHL160; GHHL160;GHB160; GHB190;GHSP160; GHSP215;GHHSP160;	ROTA NC 165; ROTA NCF 160; ROTA NCO 165 TH165;THF165 HSL165	KFH160; KFH/NC160; KFH/F160; KFH/G160; KFD/HF160; KFD160; SPD160; SPO160;	KFKS160; KDV160; KDVG160
	KF160; HES160; HES200; KHFF200; KF200; HES200; KHFF200	KGH200;KTG200;KG200;KGF200;KTN200; KT200;KS200;KS250;KSH200;KTGF200; KL200;KSF200;KSHF200;KP200;KLNC200; KTH200;UVE200;UVE250;KSHF250/65; KG200;KSPS200;QLC210;NHF200; KSHF255/55(index);NH200;NHF250/65(index) KL250Mo;HF290/104(index);KS250Mo KLNC200;KP200; NHF250/104(index)	MAC200; MAC220; DELTA210; GA210	GHHFA200;GHHFA250; GHN200;GHSH200; GHKS200;GHKS250; GHL200;GHHL200; GHHL250;GHB190; GHB210;GHB225; GHGY250;GHGY300; GHL250Mo;GHSP215; GHHSP215;	ROTA NC 210; ROTA NCD 200; ROTA NCF 210; ROTA NCO 200; TH210;THF210; TP200;HSL210	KFH200;KFH/NC200; KFH/F200;KFH/G200; KFD/HF200;KFL250; SPD215;SPO215;KFD200	HFK200; HFKS200; KDV200; KDV250; KDVG200; KDVG250;
	KF250; KF315; HES250; HES315; KHFF250; KHFF315; HESF250 HESF315;	KS315;KS400;KSH250;KSH315; KSH400;KG250;KG315;KP250;KP315; KT250;KTGF250;KTGF315; QLC250;UVE315;KSHF250;KSHF315; KSHF400;KTG250;KTG315;KLNC250; KLNC315;KTN250;KTN315;KS315; NHF250;NHF315;KT315;NH250; NH315;QLC315;NHF290; NHF400(index) KL250;KSPS250; KSPS300;KS400;	MAC250; MAC315; DELTA250; DELTA260; DELTA315; GA250; GA315	GHN250;GHN315; GHSH250;GHSH315; GHKS315;GHL250; GHL280;GHHL280; GHSP300;GHHSP300;	ROTA NC 250-315 ROTA NCD250; ROTA NCF 250; ROTA NCO 250; ROTA NCD 315; ROTA NCF315; ROTA NCO 315; TH250;THF250; TP250;HSL250; HSL315;TH315; THF315;TP315;	KFH250;KFH315; KFH/NC250;KFH/NC315; KFH/F250;KFH/F315; KFH/G250;KFH/G315; KFD/HF250;KFD/HF315; KFD250;KFD315;KFL315; KFL400;LVE305;SPD300; SPO300;	HFK250; HFK315; HFKS250; HFKS315; KDV315; KDV400; KDVG315; KDVG400;
	KF400; KF500; KF630; HES400; HES500; HES630; KHFF400;	KS500;KS630;KSH500;KG400;KSL630; KSHF630;KL400;KTGF400;KTGF500; KT400;QLC400;UVE400;UVE500; UVE630;UVE800;KP500;KTG400; KTG500;KTN400;KTN500;KT500; KG400;KG500;NHF400;NHF500; NHF630;NH400;NH500;NH630;KL400; KL500;KLNC400;KLNC500;KP400; KT630;	DELTA400;		ROTA NC 400; ROTA NCD 400; ROTA NCF400; ROTA NCO 400; HSG400;HSL400; TH400;THF400; HSG500;TH500; THF500;	KFH400-500; KFH/NC400-500; KFH/F400-500; KFH/G400-500; KFD/HF400-500; LVE400-500; LVE630; LVE1000; KFD400-500; KFD630; KFD800; KFL500;KFL600;	HFK400; HFK500; FKS400; FKS500; DV500; DVG500;

morsetti teneri standard in alluminio

standard aluminium soft jaws

MATERIALE / material : ERGAL 7075

DENTATURA / pitch : 1,5x60°

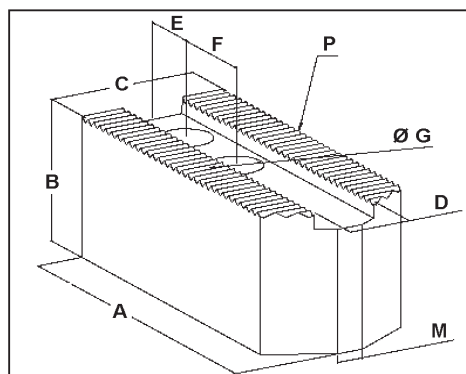
MANDRINI / chucks

AUTOBLOK (metrico / metric)

HOWA - KITAGAWA

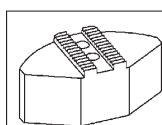
MATSUMOTO - SCHUNK

AUTOSTRONG-SAMCHULLY-SEOAM

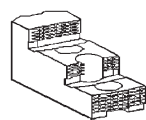


TIPO / type I

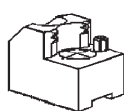
CODICE /code	Ø MAND/chuck	P	TIPO	A	B	C	D	E	F	G	M	KG
HKM 11.05 AL	110	1.5x60°	II	55	25	25	10	13	14	9	5	0,06
HKM 13.01 AL	135	1.5x60°	I	55	30	25	10	10	18	9	5	0,07
HKM 13.11 AL	110-135	1.5x60°	I	50	25	25	11	10	16	9	4	0,06
HKM 16.05 AL	165	1.5x60°	II	75	30	30	12	19	20	11	7	0,15
HKM 16.07 AL			II	75	50	30	12	19	20	11	7	0,22
HKM 21.01 AL	210	1.5x60°	I	95	40	40	14	20	25	13	12	0,35
HKM 21.03 AL			I	95	60	40	14	20	25	13	12	0,5
HKM 21.10 AL	210-254	1.5x60°	I	95	40	40	16	20	25	13	12	0,35
HKM 21.12 AL			I	95	60	40	16	20	25	13	12	0,5
HKM 25.01 AL	254-270	1.5x60°	I	110	40	40	16	30	30	13	12	0,4
HKM 25.02 AL			I	110	60	40	16	30	30	13	12	0,55
HKM 30.01 AL	304-381	1.5x60°	I	130	50	50	18	25	30	15	20	0,74
HKM 30.03 AL			I	130	80	50	18	25	30	15	20	1,25
HKM 30.10 AL	304	1.5x60°	I	130	50	50	21	22	30	17	20	0,74



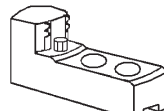
Pag. 54



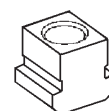
Pag. 68



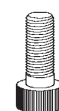
Pag. 76



Pag. 122



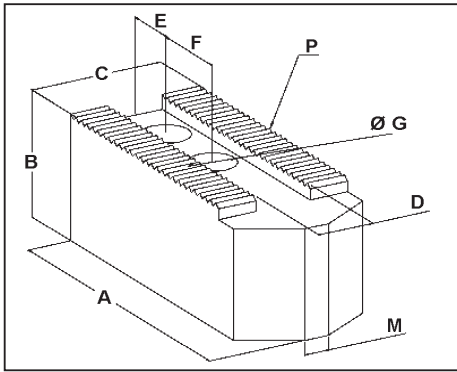
Pag. 146



Pag. 164

morsetti teneri standard in alluminio

standard aluminium soft jaws



TIPO / type

AUTOBLOK	HOWA	SAMCHULLY	KITAGAWA	MATSUMOTO	SCHUNK
	HO1MA4 HO24M5	Ø 110	HJ-4; AS110; N-4 B205;B204		
		Ø 135	HOB-5;B-05		
	HO27M4;HO27M5	Ø 110-135			
BBM175;ALM165; ANM165;BHM165; BHM-FC165;HBM165; PBM165;	HO1MA6;HO7MA6; HO15M6;HO22M6; HO24M6;HO27M6; HO47M6;HO37M6	Ø 165	HJA5-6;HOS6;HOH106; AS165;B7;B106;B160;B06 HOH160;HOH-06;N-160; N06;HOB-6;B206;HOH206		ROTA NCK 165
BBM210;PBM210 ALM210;HBM210 ANM210;BHM210 BHM-FC210	HO7MA8 HO15M8 HO23M8	Ø 210	B-200;B-8;N-200;HOH08 N8;AS210;HOH200;HOB8 B108;HOH108;HAA6-8;HO8 HOS8;B-208;HOH208	HA6-8;HX-8;ZA6-8-52 H-8;HH-8;STC-8 HJ-8;HHJ-8; ZA6-8-66	ROTA NCK 210
	HO27M8;HO22M8 HO47M8;HO37M8 HO24M8;HO7MA10 HO15M10;HO23M10	Ø 210-254			
BBM250;ALM250; ANM250;PBM250 BHM250 BHM-FC250 HBM250		Ø 254-270	B-250;B-10;B-210;HJA8-10 HOH250;HOH210;HOS10 HOH-10;HOH110;HO-10 HOB-10;AS250;B110 N250;N10;HJA6-10	HA6-10;HA8-10; ZA6-10-72B;HX10 H-10;HH-10;HA8-11 HHL-10;HJ-10 HHJ-10;STC10	ROTA NCK 250
	HO7MA12 HO15M12 HO23M12 HO24M10	Ø 304-381	B300;B12;HOH-300;HLA8-15 HOH12;N300;N12;HLA6-15 HOS12;HO-12;HJA8-12; HLA6-12;HJA6-12;HOB-12	HA8-12;HX12 SH12;HH12 HJ12;HHJ12 H12;HHL-12	
BBM315;ALM315 ANM315;BHM315 BHM-FC315 HBM315;PBM315		Ø 304	B212;BT212		ROTA NCK 315

morsetti teneri standard in alluminio

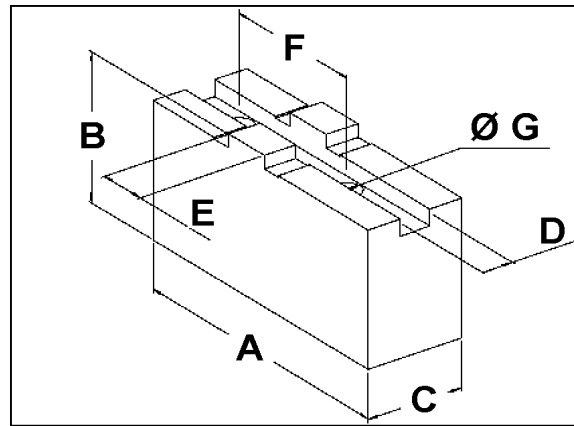
standard aluminium soft jaws

MATERIALE / material : ERGAL 7075

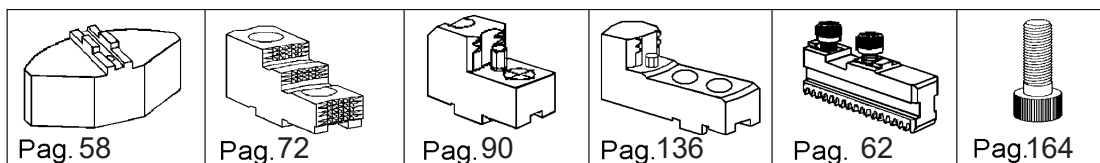
INCASTRO A CROCE / tongue & groove

MANDRINI / chucks

SMW-AUTOBLOK
BERG - FORKARDT
ROHM - SCHUNK
SAMCHULLY



CODICE /code	Ø MAND / chuck	A	B	C	D	E	F	G	KG
23.22.00/F AL	160	85	50	25	8	18	32	9	0,23
23.22.01/F AL	200	105	50	25	10	20	40	9	0,28
23.22.02/F AL	250	125	60	40	12	20	40	13	0,65
23.22.03/F AL	315	145	60	40	12	26	54	13	0,77
23.22.04/F AL	400	180	80	50	18	30	60	17	1,65



Pag. 58

Pag. 72

Pag. 90

Pag. 136

Pag. 62

Pag. 164

morsetti teneri standard in alluminio

standard aluminium soft jaws

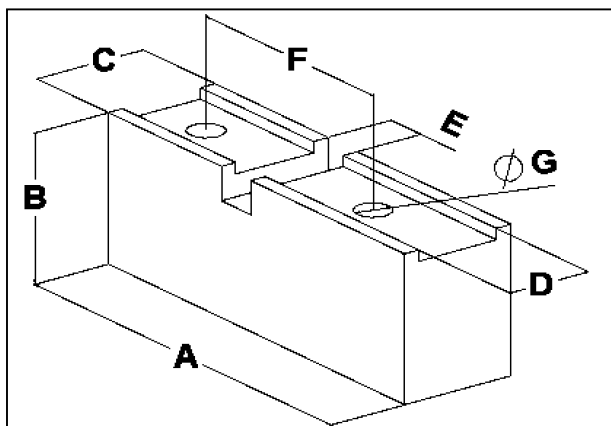
	SMW-AUTOBLOK	BERG	FORKARDT	ROHM	SCHUNK
	RMG160;HG160;KNSP160; HG/F160;HG/N160;KNCS160; KNCS175;KNCS/N170	KHNC160 KHNC185	F160;KTNC160; KTNCV175;F+160; KTNCV160;FNC175	DURO160; DURO/NC160; DURO/NCE160; DURO/NC175	ROTA/G160;ROTA NCW185;ROTA/S160 ROTA/Splus160; THW165/R
	RMG200;HG200;KNSP200; KNCS200;HG/F210;HG/N210; KNCS225;KNCS/A200; KNCS/N210	KHNC200	F200;KTNC200; KTNCV200;F+200; FNC200	DURO200; DURO/NC200; DURO/NCE200; DURO/NC225	ROTA/G200; ROTA/NCW225; ROTA/NCWF210; ROTA/S250; ROTA/S plus 200; THW210R/F
	RMG250;HG250;HG315; KNCS250;KNCS260;KNCS315; HG/F260;HG/F315;HG/N260; HG/N315;KNCS/A250; KNCS/A315;KNCS/N260; KNCS/N315	KHNC250; KHNC315	F250;UNC250; UNC315;KTNC250; KTNCV250;KTNC265; KTNC280;KTNC315; KTNCV315;F+250; FNC250;FNC315;	DURO250; DURO/NC250; DURO/NCE250; DURO/NCE315	ROTA/G250-315; ROTA/NCW265-315; ROTA/NCWF250-315; ROTA/S250; ROTA/S plus 250; THW250-265 R/F; THW315R;
	RMG315; HG400; KNCS400; HG/N400; KNCS/A400; KNCS/N400	KHNC400	F315;UNC400; KTNC360;KTNC400; KTNCV400;F+315; FNC400;	DURO315; DURO/NC315; DURO/NCE400;	ROTA/G400; ROTA/NCW400; ROTA/S315; ROTA/S plus 315; THW315F; THW400 R/F;
	HG500;HG630;KNCS500; KNCS630;HG/F400;HG/N500; HG/N630;KNCS/A500; KNCS/N500;KNCS/N630	KHNC500	F400;F500L;UNC500; KTNC500;KTNC630; KTNCV500; KTNCV630;F+400; F+500;FNC500; FNC630;	DURO400; DURO/NC400; DURO500; DURO/NC500; DURO/NCE500;	ROTA/G500; ROTA/S400-500; ROTA/S plus 400; ROTA/S plus 500; THW500-630R;

morsetti teneri standard in alluminio

standard aluminium soft jaws

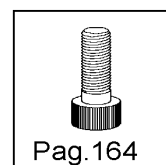
MATERIALE / material : ERGAL 7075

INCASTRO A CROCE / tongue & groove

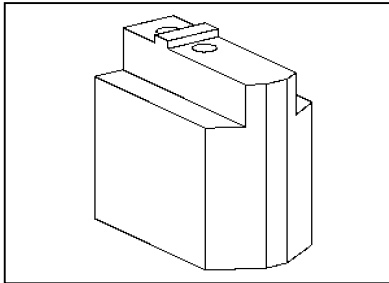
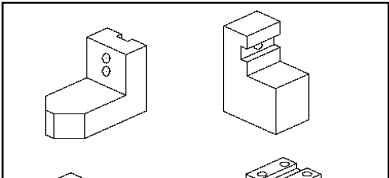


MANDRINI / chucks : M.P.T.-PINTO MANUALE / manual

CODICE /code	Ø MAND / chuck	A	B	C	D	E	F	G	KG
13.22.03/PAL	180-200	100	40	30	20	10	53	9	0,3
13.22.04/PAL	230-250	110	40	40	22	11	62	9	0,43
13.22.05/PAL	270	120	50	30	25	12	68	11	0,42
13.22.06/PAL	310	130	60	40	28	12	76	13	0,7

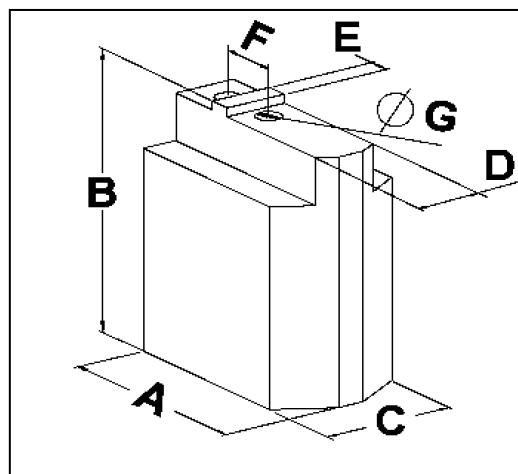


Pag.164

MANDRINO / chuck	PAG.	INCASTRO A CROCE tongue & groove
DOOSAN	50	
MURATA	50	
TAKISAWA	50	
SCHUNK	51	

MATERIALE / material : C45

INCASTRO A CROCE / tongue & groove



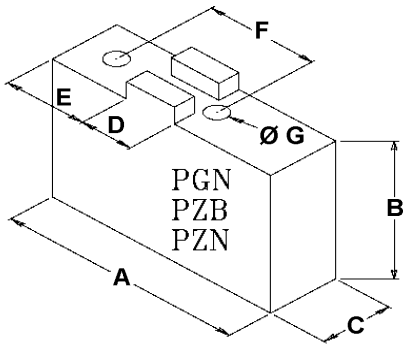
MANDRINI / chucks :		MURATA							
CODICE /code	MODELLO / model	A	B	C	D	E	F	G	KG
50.22.00/M	MW20	50	40	14	14	5	14	6,5	0,16
50.22.01/M	MW20	50	40	20	14	5	14	6,5	0,22
50.22.02/M	MW20	50	60	30	14	5	14	6,5	0,52
50.22.02/M H40	MW20	50	40	30	14	5	14	6,5	0,32
50.22.03/M	MW20	65	40	20	14	5	14	6,5	0,3
50.22.04/M	MW20	65	60	30	14	5	14	6,5	0,7
50.22.04/M H40	MW20	65	40	30	14	5	14	6,5	0,43
51.22.00/M	MW12	50	40	15	10	3	10	5,5	0,17
51.22.01/M	MW12	50	40	25	10	3	10	5,5	0,3
51.22.02/M	MW12	65	40	25	10	3	10	5,5	0,4

MANDRINI / chucks :		DOOSAN							
CODICE /code	MODELLO / model	A	B	C	D	E	F	G	KG
53.22.00/D	QL	45	40	20	12	6	15	5,5	0,2
53.22.01/D	QL	58	50	20	14	8	20	6,5	0,35

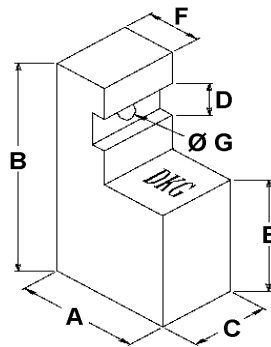
MANDRINI / chucks :		TAKISAWA							
CODICE /code	MODELLO / model	A	B	C	D	E	F	G	KG
52.22.01/T	TX20	45	50	20	20	4	14	6,5	0,26

**A RICHIESTA SI REALIZZANO MORSETTI TENERI PER MANIPOLATORI SCHUNK
2/3 GRIFFE TIPO : DPG , DPZ , DKG , MPG , KGG , KTG , PGN , PZB , PZN**

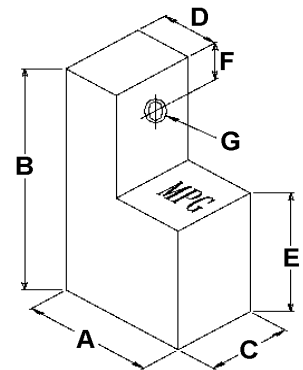
Upon request soft jaws for SCHUNK finger 2/3 jaws chuck type DPG , DPZ , DKG
MPG , KGG , KTG , PGN , PZB , PZN can be supplied.



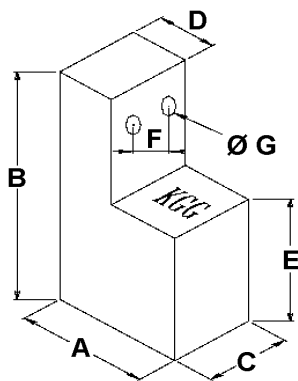
TIPO / type I



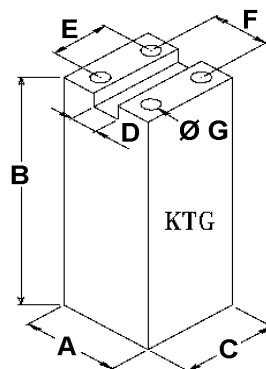
TIPO / type II



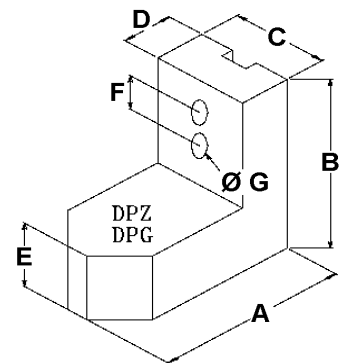
TIPO / type III



TIPO / type IV



TIPO / type V



TIPO / type VI

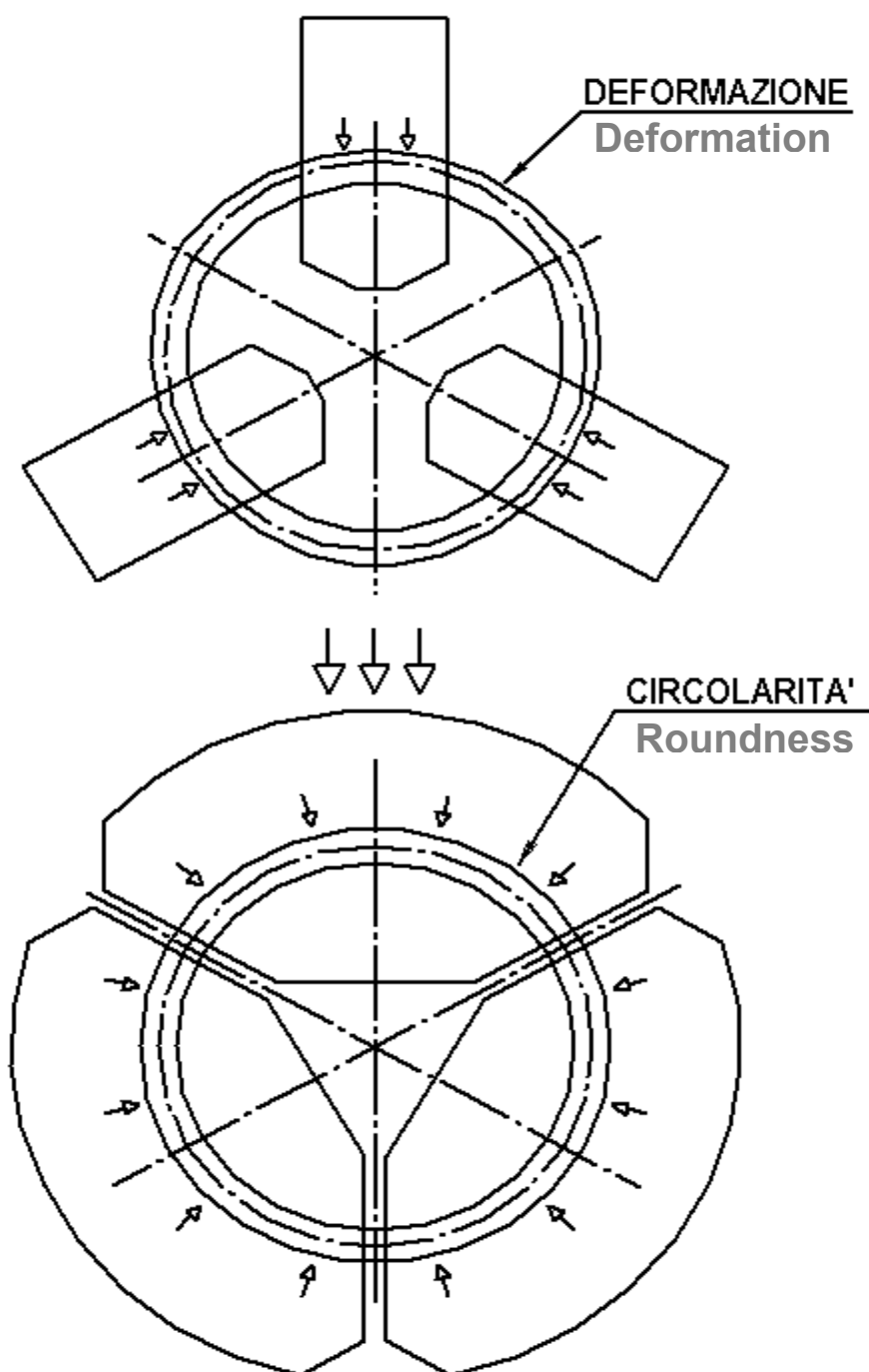
MANDRINI / chucks :

SCHUNK

MODELLO Model	TIPO Type	A	B	C	D	E	F	G	N °PEZZI pcs.

QUESTI MORSETTI DISTRIBUISCONO LA FORZA DI SERRAGGIO SU TUTTA LA CIRCONFERENZA DEL PEZZO E RAPPRESENTANO LA SOLUZIONE IDEALE PER LA LAVORAZIONE DI PEZZI SEMILAVORATI FACILMENTE DEFORMABILI.

These jaws distribute clamping strength all around the workpiece circumference and may be the most suitable solution for machining semimachined workpieces, easily deformable.



MANDRINO / chuck

PAG.

DENTATURA / pitch : 1/16"x90°

SMW-AUTOBLOK

54-57

BERG

54-55

FORKARDT

54-55

GAMET

54-55

GEIGER+HAAG

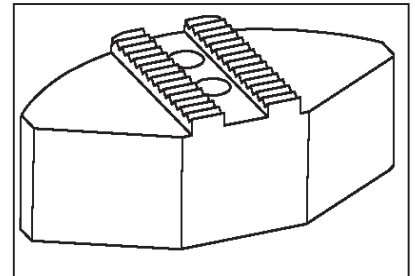
54-55

ROHM

54-55

SCHUNK

54-57



MANDRINO / chuck

PAG.

DENTATURA / pitch : 1,5x60°

AUTOBLOK (metrico / metric)

56-57

HOWA

56-57

KITAGAWA

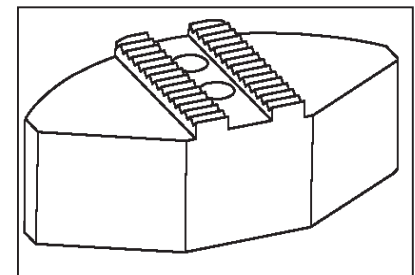
56-57

MATSUMOTO-AUTOSTRONG-SAMCHULLY-SEOAM

56-57

SCHUNK (metrico / metric)

56-57



MANDRINO / chuck

PAG.

INCASTRO A CROCE
tongue & groove

SMW-AUTOBLOK

58-59

BERG

58-59

FORKARDT

58-59

KITAGAWA

58-59

ROHM

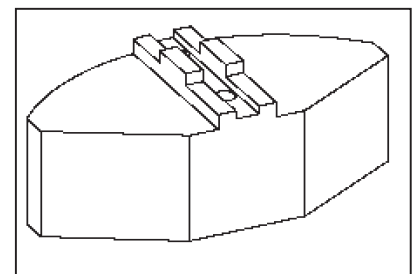
58-59

SAMCHULLY

58-59

SCHUNK

58-59



morsetti avvolgenti standard soft full-grip jaws

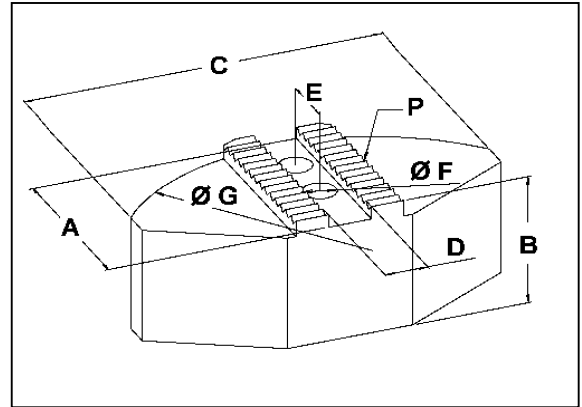
catalogo | catalogue

MATERIALE / material : S235JR (Fe37)
ERGAL 7075

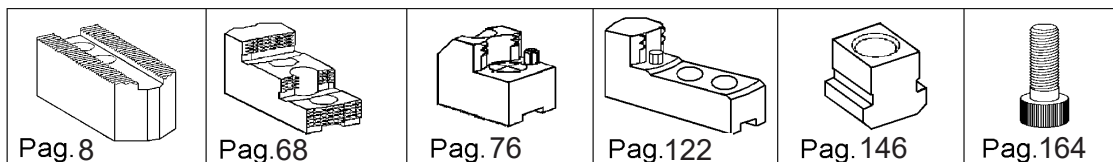
DENTATURA / pitch: 1/16"x90°
3/32"x90°

MANDRINI / chucks

AUTOBLOK - BERG
FORKARDT - GAMET
SMW - SCHUNK
ROHM - GEIGER+HAAG



CODICE /code	Ø MAND / chuck	MAT.	P	A	B	C	D	E	F	G	KG
45.12.01/AV	125-130	Fe37	1/16"x90°	50	40	100	12	16	9	130	1,0
45.15.02/AV	154-160	Fe37	1/16"x90°	60	50	120	14	16	11	160	1,7
45.15.02/AVAL		All.		60	48	120	14	16	11	160	0,6
45.16.03/AV	160	Fe37	1/16"x90°	60	50	120	17	23	13	160	1,7
45.16.03/AVAL		All.		60	48	120	17	23	13	160	0,6
45.20.04/AV	200-210	Fe37	1/16"x90°	80	60	140	17	23	13	200	3,4
45.20.04/AVAL		All.		80	58	140	17	23	13	200	1,2
45.25.05/AV	250	Fe37	1/16"x90°	80	60	180	21	30	17	250	4,4
45.25.05/AVAL		All.		80	78	180	21	30	17	250	1,15
45.31.06/AV	315	Fe37	1/16"x90°	120	60	240	21	30	17	320	8,0
45.31.06/AVAL		All.		120	78	240	21	30	17	320	3,0
45.40.07/AV	400-500	Fe37	3/32"x90°	150	80	330	25,5	38	21	440	18,4
45.40.07/AVAL		All.		150	98	330	25,5	38	21	440	6,2



	AUTOBLOK	BERG	FORKARDT	GAMET	SCHUNK	GEIGER+HAAG	ROHM	SMW
	AND125;ALD125;BHD130; BBD140;HYDS150;PBD130; HBD130;GHDN125; IDN125;	KF130				CHGY120;CHGY130; CHGY160;CHGY200;	KFD/HS160; KFD/HE170; KFD/HS175	KDV130
	AND165;ALD165;BHD165; BHD/FC165;RCD165;PBD165; HBD165;GHDN165;GHD/FC165; BBD175;HYDS170;HYDS180; IDL170;IDN170;HDL170; HDN170							
		HES160; HESF160; KF161	KGH160;KGHF160; KL160;KS160; KSH160;KSPS160; KTG160; KTH160/46; KTN160;NH160; UVE160;KGH175; KGHF175;KSF175; KTH175/46;QLC177; NHF160	MAC165; MAC170; DELTA170	ROTA NC 165; ROTA NCF 160; ROTA NCO 165 TH165;THF165 HSL165	GHHFA175;GHHFA200; GHHFA250;GHN160; GHN200;GSH160; GSH200;GHKS160; GHKD200;GHKS250; GHL160;GHL200; GHHL200;GHHL250; GHB160;GHB190; GHB210;GHB225; GHSP160;GHSP215; GHHSP160;GHHSP215; GHL250Mo;	KFD160; KFD/HF160; KFH160;KFH/F160; KFH/G160; KFH/NC160; SPD160;SPO160; LVE160; LVE160Typ525;	HFK160; HFKS160; KDV160; KDVG160; KFMF160; KVF161
	AND210;ALD210;BHD210; BBD210;HYDS210;RCD210; CD200;IDN200;IDN220;IDL200; HDN200;HDN220;HDL200; GHDN210;HDN/FC200; GHD/FC210;PBD210;HBD210; PBDI210; BHD/FC210;HYDS226	HES200; HESF200; KF200; KHFF200;	KG200;KGH200; KGHF200;KS200; KSF200;KT200; KTGF200;KTH200; NH200;NHF200; UVE200;QLC210;	MAC200; DELTA200; GA210; MAC220	ROTA NC 210; ROTA NCD 200; ROTA NCF 210; ROTA NCO 200; TH210;THF210; TP200;HSL210	GHHFA200;GHHFA250; GHN200;GSH200; GSH200;GHKS200; GHKS250;GHHSP215; GHL200;GHHL200; GHHL250;GHB190; GHB210;GHB225; GHGY250;GHGY300; GHL250Mo;GHSP215;	KFD200;KFD/HF200; KFH200;KFH/F200; KFH/G200; KFH/NC200;LVE200; LVE200Typ525; KFL250; KFD/HE210; SPD215;SPO215;	HFK200;HFKS200; HFKN/D210; KDV200; KDVG200; KFMF200; KVF200;SP200; STP200;STWP200; KDV250;KDVG250
	AND250;ALD250;BHD250;BBD250 HYDS250;BHD/FC250;RCD250; PBD250;HBD250;PBDI250; CD250;IDN250;IDL250;HDN250; HDL250;GHDN250; HDN/FC;GHD/FC250	HES250; HESF250; KF250; KHFF250;	KG250;KL250; KLNC250;KP250; KHS250;KSHF250; KSPS250;KT250; KTGF250;KTN250; NH250;NHF250; NHF257;QLC250 NHF290/104;	DELTA250; GA250; MAC250; DELTA260;	ROTA NC 250; ROTA NCD250; ROTA NCF 250; ROTA NCO 250; TH250;THF250; TP250;HSL250;	GHN250;GHN315; GSH250;GSH315; GHKS315;GHL250; GHL280;GHHL280; GHSP300;GHHSP300;	KFD250;KFD/HF250; KFH250;KFH/F250; KFH/G250; KFH/NC250; LVE250; LVE250Typ525; KFD/HE254	HFK250;HFKS250; HFKN/D260; KFMF250;KVF250; LP250;SP250; STP250;STWP250
	AND315;ALD315;BHD315; BBD315;GHD315; GHDN315; RCD305;CD315; PBD315;HBD315;IDN315;IDL315; HDN315;HDL315;HYDS315; HYD350;HYD400;HYDS400; GHD400;GHDN400; RCD400; IND400; ILD400;HDN400;HDL400;	HES315; HESF315; KF315; KHFF315;	KSPS300;KG315; KLNC315;KP315; KS315;KSH315; KSHF315;KT315; KTGF315;NH315; NHF315;UVE315; QLC315;KS400; KSH400;KSHF400; NHF400	GA315; MAC315; DELTA315;	ROTA NC 315; ROTA NCD 315; ROTA NCF315; ROTA NCO 315; HSL315;TH315; THF315;TP315;		SPD300;SPO300; LVE305;KFD315; KFD/HE315; KFD/HF315;KFH315; KFH/F315; KFH/G315;KFH/NC315; KFL315;LVE315; LVE315Typ525; KFL400	HFK315;HFKS315; HFKN/D315; KFMF315;KVF315; LP315;SP315; STP315;STWP315; KDV400; KDVG400;
	GHDN500;HDN/FC500;RCD500; IDN630;IDL630;GHDN610; GHDN640;HDN/FC630;	HES400; KF400; KHFF400; HES500; KF500	KG400;KL400;KLNC400 KP400;KT400; KTGF400;NH400; NHF400;UVE400; QLC400;KS500;KG500; KL500;KLNC500; KP500;KT500;KTGF500 NH500;NHF;UVE500	DELTA400;	ROTA NC 400; ROTA NCD 400; ROTA NCF400; ROTA NCO 400; HSG400;HSL400; TH400;THF400; HSG500;TH500; THF500;		KFD400;KFD/HF400; KFD/HF500;KFH400; KFH500;KFK/F400; LVE400; KFD/HS400; LVE500;KFD/HS500; KFD/HF400;KFL500; KFD500;KFH/F400; KFH/G400-500	HFK400;HFKS400; KVF400;HFK500; HFKS500;KDV500; KDVG500;KVF500; KVF630;KVF800;

morsetti avvolgenti standard

soft full-grip jaws

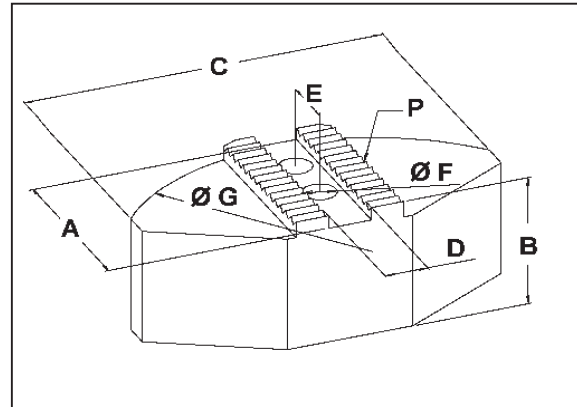
catalogo | catalogue

MATERIALE / material : S235JR (Fe37)
ERGal 7075

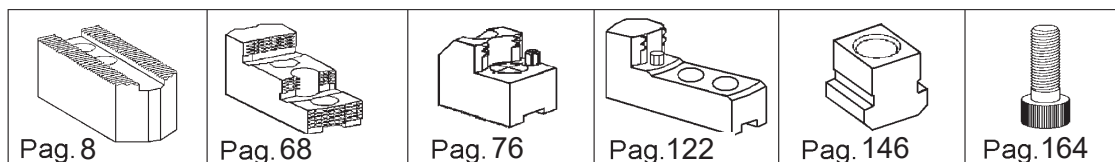
DENTATURA / pitch : 1,5x60° - 3x60°

MANDRINI / chucks

AUTOBLOK (metrico / metric)
HOWA - KITAGAWA
MATSUMOTO - SCHUNK
AUTOSTRONG-SAMCHULLY-SEOAM



CODICE /code	Ø MAND / chuck	MAT.	P	A	B	C	D	E	F	G	KG
46.16.01/AV	165	Fe37	1.5x60°	60	50	120	12	20	11	160	1,7
46.16.01/AVAL		All.		60	48	120	12	20	11	160	0,6
46.21.02/AV	200-210	Fe37	1.5x60°	80	60	140	14	25	13	200	3,4
46.21.02/AVAL		All.		80	58	140	14	25	13	200	1,3
46.20.04/AV	200-254	Fe37	1.5x60°	80	60	180	16	25	13	250	4,0
46.25.03/AV	254	Fe37	1.5x60°	80	60	180	16	30	13	250	4,1
46.25.03/AVAL		All.		80	58	180	16	30	13	250	1,4
46.25.05/AV	254	Fe37	1.5x60°	80	60	180	18	30	15	250	3,9
46.30.04/AV	304-381	Fe37	1.5x60°	120	60	240	18	30	15	300	8,6
46.30.04/AVAL		All.		110	78	240	18	30	15	300	2,9
46.30.05/AV	304	Fe37	1.5x60°	120	60	240	21	30	17	300	7,7
46.30.05/AVAL		All.		110	78	240	21	30	17	300	2,6
46.38.06/AV	381	Fe37	1.5x60°	120	80	280	22	43	21	380	13
46.61.07/AV	530-610	Fe37	3x60°	150	80	330	25	60	21	440	19,4



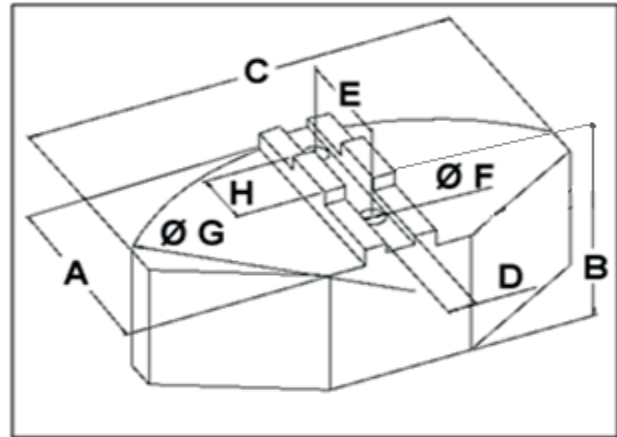
AUTOBLOK	SAMCHULLY	KITAGAWA	HOWA	MATSUMOTO	SCHUNK
BBM175;ALM165; ANM165;BHM165; BHM/FC165;HBM165; PBM165;	Ø 165	AS165;B06;B106;B160;B206;B07; H06;HOB6;HOH06;HOH106;HOH160; HOS6;HJA5/6;N06; N160;HOH206;	HO1MA6;HO7MA6;HO15M6; HO22M6;HO24M6;HO27M6; HO37M6;HO47M6;		ROTA NCK 165
BBM210;ALM210; ANM210;BHM210; BHM/FC210;HBM210; PBM210;	Ø 200-210	AS210;B08;B108;B200;B208;HJA6/8; HO8;HOB8;HOH8;HOH108;HOH200; HOH208;HOS8;N08;N200	HO7MA8;HO15M8;HO23M8;	HA6/8;HX/8;H8;HH/8;HJ/8; HHJ/8;STC8;ZA/6/8/52;	ROTA NCK 210
	Ø 200-254		HO22M8;HO24M8;HO27M8; HO37M8;HO47M8;HO7MA10; HO15M10;HO23M10		
BBM250;ALM250; ANM250;BHM250; BHM/FC250HBM250; PBM250;	Ø 254	AS250;B10;B110;B210;B250; HJA6/10;HJA8/10;HO10; HOB10; HOH10;HOH110;HOS10;N10;N250;		HA6/10;HA8/10; ZA/6/10/75;H/10;HX/10; HHL/10;HH10;HHJ/10; HJ/10;HA8/11;STC10;	ROTA NCK 250
	Ø 254		HO22M10;HO24M10; HO22MA10;HO27M10; HO37M10;HO47M10;HO7MA12; HO12M12;HO23M12		
	Ø 304-381	B12;B300;HLA6/12;HJA6/12;HLA6/12; HJA8/12;HO12;HOB12;HOH12; HOH300;HOS12;N12;N300; HLA8/15;		HA8/12;HX/12;H12;SH/12; HH/12;HHL/12;HJ/12; HHJ/12;ZA8/12/72; ZA8/12/85	
BBM315;ALM315; ANM315;BHM315; BHM/FC315;HBM315; PBM315;	Ø 304	B212			ROTA NCK 315
	Ø 381	B380;HOH380;HOB15;B450;HOB18			
		B21 - B24 - N21 - N24			

morsetti avvolgenti standard soft full-grip jaws

catalogo | catalogue

MATERIALE / material : S235JR (Fe37)

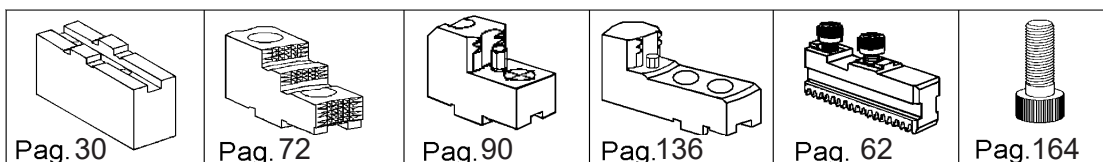
INCASTRO A CROCE / tongue & groove



MANDRINI / chucks

SMW / AUTOBLOK
BERG - FORKARDT
KITAGAWA
ROHM - SCHUNK
SAMCHULLY

CODICE /code	Ø MAND / chuck	A	B	C	D	E	F	G	H	KG
47.16.01/AV	160	60	50	120	8	32	9	160	18	1,6
47.20.02/AV	200	70	50	140	10	40	9	200	20	2,4
47.25.03/AV	250	90	60	180	12	40	13	250	20	4,76
47.31.04/AV	315	110	70	240	12	54	13	320	26	8,8
47.40.05/AV	400	160	80	330	18	60	17	440	30	18,15



Pag. 30

Pag. 72

Pag. 90

Pag. 136

Pag. 62

Pag. 164

	SMW / AUTOBLOK	BERG	FORKARDT	KITAGAWA	ROHM	SCHUNK
	RMG160;HG160;KNSP160; HG/F160;HG/N160;KNCS160; KNCS175;KNCS/N170	KHNC160; KHNC185	F160;KTNC160; KTNCV175;F+160; KTNCV160;FNC175		DURO160; DURO/NC160; DURO/NCE160; DURO/NC175	ROTA/G160; ROTA NCW185; ROTA/S160; ROTA/Splus160;THW165/R
	RMG200;HG200;KNSP200; KNCS200;HG/F210;HG/N210; KNCS225;KNCS/A200; KNCS/N210	KHNC200	F200;KTNC200; KTNCV200;F+200; FNC200		DURO200; DURO/NC200; DURO/NCE200; DURO/NC225	ROTA/G200; ROTA/NCW225; ROTA/NCWF210; ROTA/S250; ROTA/S plus 200; THW210R/F
	RMG250;HG250;HG315; KNCS250;KNCS260;KNCS315; HG/F260;HG/F315;HG/N260; HG/N315;KNCS/A250; KNCS/A315;KNCS/N260; KNCS/N315	KHNC250; KHNC315	F250;UNC250; UNC315;KTNC250; KTNCV250;KTNC265;KTNC280 KTNC315; KTNCV315;F+250; FNC250;FNC315;	QJ8; QJ210-43;	DURO250; DURO/NC250; DURO/NCE250; DURO/NCE315	ROTA/G250-315; ROTA/NCW265-315; ROTA/NCWF250-315; ROTA/S250; ROTA/S plus 250; THW250-265 R/F; THW315R;
	RMG315; HG400; KNCS400; HG/N400; KNCS/A400; KNCS/N400	KHNC400	F315;UNC400; KTNC360;KTNC400; KTNCV400;F+315; FNC400;	QJ10; QJ254-65; QJ12; J315-78;	DURO315; DURO/NC315; DURO/NCE400;	ROTA/G400; ROTA/NCW400; ROTA/S315; ROTA/S plus 315; THW315F; THW400 R/F;
	HG500;HG630;KNCS500; KNCS630;HG/F400;HG/N500; HG/N630;KNCS/A500; KNCS/N500;KNCS/N630	KHNC500	F400;F500L;UNC500;KTNC500; KTNC630; KTNCV500; KTNCV630;F+400; F+500;FNC500; FNC630;		DURO400; DURO/NC400; DURO500; DURO/NC500; DURO/NCE500;	ROTA/G500; ROTA/S400-500; ROTA/S plus 400; ROTA/S plus 500; THW500-630R;

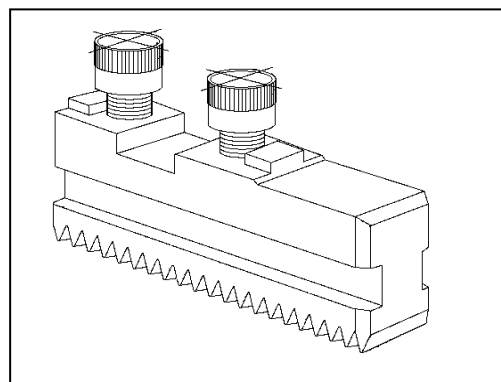


morsetti base temprati "GBK"- "SFG" hardened base jaws "GBK"- "SFG"

MANDRINO / chuck

PAG.

SMW-AUTOBLOK	62-63
FORKARDT	63
ROHM	63
SCHUNK	62-63

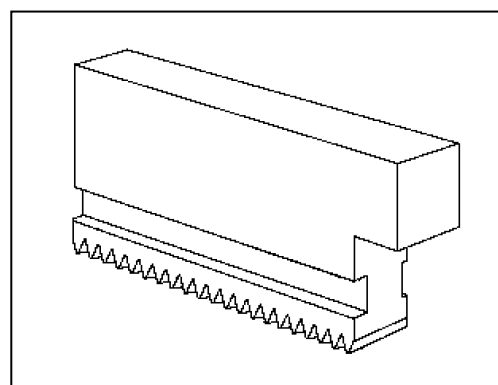


MORSETTI MONOBLOCCO "UVB"- "SMB" Monoblock jaws "UVB" - "SMB"

MANDRINO / chuck

PAG.

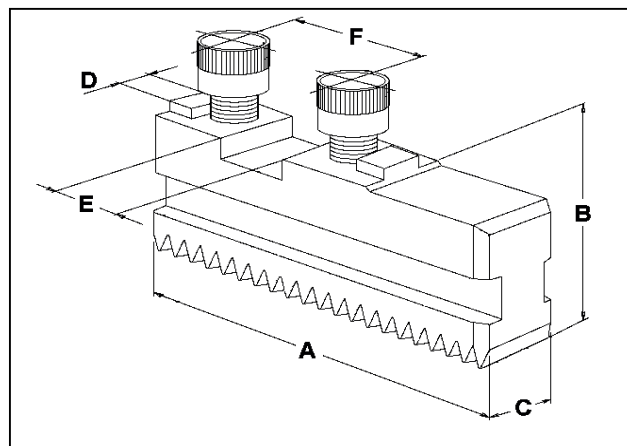
SMW-AUTOBLOK	64-65
FORKARDT	65
ROHM	65
SCHUNK	64-65



morsetti base temprati "GBK"- "SFG" hardened base jaws "GBK"- "SFG"

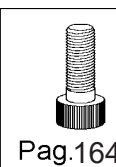
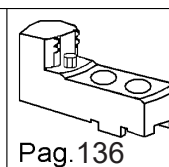
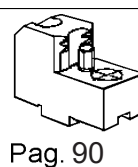
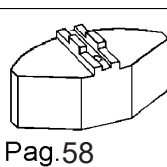
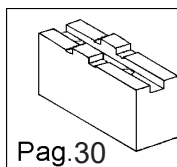
MATERIALE : ACCIAIO 18NiCrMo5 TEMPRATO
material : hardened steel 18NiCrMo5

GBK



MANDRINI / chucks : SMW/AUTOBLOK - SCHUNK

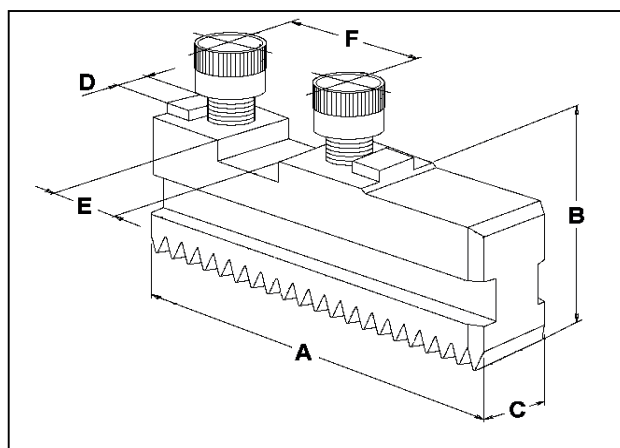
CODICE code	Ø MAND chuck	A	B	C	D	E	F	KG	SMW-AUTOBLOK	SCHUNK
GBK140	140	56	30	20	8	18	32	0,4	KNCS140;KNCS-N140	
GBK160	160-185	65	30	20	8	18	32	0,7	HG160;HG-N160 KNCS160-175;KNCS-A175 KNCS-N170;KNSP160 RMG160	ROTA-G160 ROTA NCW185 THW165R
GBK200	200-225	85	32	22	10	20	40	1,0	HG200;HG-N210 KNCS200-225;KNCS-A200 KNCS-N210-225;KNSP200 RMG200	ROTA-G200 ROTA NCW225 THW 210R
GBK250	250-265	104	40	26	12	20	40	1,8	HG250;HG-N260 KNCS250-260;KNCS-A250 KNCS-N260;RMG250	ROTA-G250 ROTA NCW265 THW250/265R
GBK315	315	115	46	32	12	20	40	2,7	HG315;HG-N315 KNCS315;KNCS-A315 KNCS-N315	ROTA-G315 ROTA NCW315 THW 315R
GBK400	400	125	46	32	12	26	54	3,0	HG400;HG-N400 KNCS400;KNCS-A400 KNCS-N400	ROTA-G400 ROTA NCW400 THW400R
GBK500	500	160	61	45	18	30	60	7,5	KNCS500;HG500;HG-N500; KNCS-A500;KNCS-N500	THW500-128R ROTA-G500
GBK630	630	200	61	45	18	30	60	9	KNCS630;HG630;HG-N630 KNCS-N630	THW630-160R



morsetti base temprati "GBK"- "SFG" hardened base jaws "GBK"- "SFG"

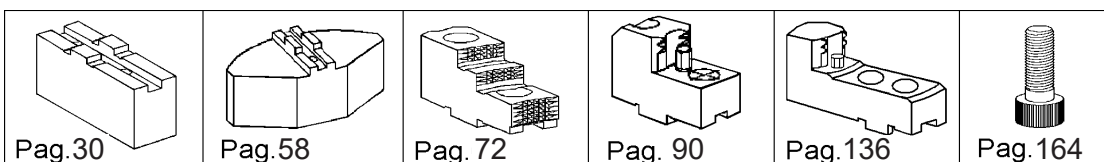
MATERIALE : ACCIAIO 18NiCrMo5 TEMPRATO
material : hardened steel 18NiCrMo5

SFG



MANDRINI / chucks : SMW/AUTOBLOK - SCHUNK - FORKARDT - ROHM

CODICE code	Ø MAND chuck	A	B	C	D	E	F	KG	AUTOBLOK	FORKARDT	ROHM	SCHUNK
SFG160	160-175	74	29,5	20	8	18	32	0,8	HG-F160	F160;F+160 KTNC160 FNC175 KTNCV160-175	DURO160 DURO-NC160 DURO-NC175 DURO-NCE160	ROTA-S160 ROTA-Splus160
SFG200	200-225	90	35	22	10	20	40	1,2	HG-F210	F200;F+200 KTNC200 KTNCV200 FNC200	DURO200 DURO-NCE200 DURO-NC200 DURO-NC225	ROTA-NCWF210 ROTA-S200 THW210F ROTA-Splus200
SFG250	250-315	110	40	26	12	20	40	2,0	HG-F260	F250 ; F+250 FNC250-315 KTNC250-280-315 KTNCV250-315	DURO250 DURO-NCE250 DURO-NC315 DURO-NC250	ROTA-NCWF250-315 ; ROTA-S250 THW250-265F ROTA-Splus250
SFG315	315-400	125	46	32	12	26	54	3,3	HG-F315	F315 ; F+315 FNC400 ; UNC400 KTNC360-400 KTNCV400	DURO315 DURO-NCE400 DURO-NC315	ROTA-S315 THW315-400F ROTA-Splus315
SFG400	400-500	160	55	45	18	30	60	7,3	HG-F400 HG-F500	F400;FNC500-630 KTNC500-630 KTNCV500-630 F+500L;F500-L F+400;UNC500	DURO400-500 DURO-NC400 DURO-NC500 DURO-NCE500	ROTA-S400 ROTA-S500 ROTA-Splus400 ROTA-Splus500
SFG630	630	230	105	65	24	40	82	17,4	HG-F630	F630 F+630	DURO630 DURO-NC630	ROTA-S630 ROTA-Splus630



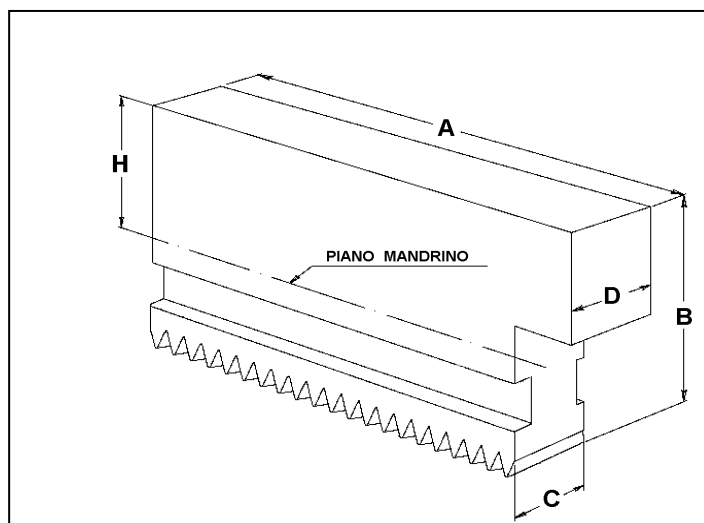
morsetti monoblocco "UVB"- "SMB" catalogo | catalogue monoblock jaws "UVB"- "SMB"

MATERIALE / material : C45

DENTATURE E SCANALATURE DI GUIDA
TEMPRATE A INDUZIONE E RETTIFICATE

Teeth and slots are
induction hardened and ground.

UVB



MANDRINI / chucks : SMW/AUTOBLOK - SCHUNK

CODICE code	Ø MAND chuck	A	B	C	D	H	KG	SMW/AUTOBLOK	SCHUNK
UVB160	160	65	55	20	20	35	1,7	HG160;HG-N160 KNCS140-160-175;KNCS-A175 KNCS-N140-170;KNSP160;RMG160	ROTA-G160 ROTA NCW185 THW 165R
UVB200	200	77	65	22	22	40	2,6	HG200;HG-N210;KNCS200-225	ROTA-G200
UVB-H200	-	77	85	22	22	60	3,4	KNCS-A200;KNCS-N210-225	ROTA NCW225
UVB-B200	225	77	65	22	40	38	3,9	KNSP200;RMG200	THW 210R
UVB250	250	97	84	26	26	55	5	HG-250;HG-N260;KNCS250-260	ROTA-G250
UVB-H250	-	97	115	26	26	86	6,8	KNCS-A250;KNCS-N260;RMG250	ROTA NCW265
UVB-B250	265	97	84	26	46	53	7,4		THW 250/265R
UVB315		118	90	32	32	56	6,6	HG315;HG-N315;KNCS315	ROTA-G315
UVB-H315	315	118	135	32	32	101	12	KNCS-A315;KNCS-N315	ROTA NCW315
UVB-B315		118	90	32	46	54	10,1		THW 315R
UVB400	400	145	100	32	32	66	11	HG400;HG-N400;KNCS400 KNCS-A400;KNCS-N400	ROTA-G400 ROTA NCW400 THW 400R
UVB500	500	175	124	45	45	77	23	HG500;HG-N500;KNCS500 KNCS-A500;KNCS-N500	ROTA-G500 THW 500R
UVB630	630	230	134	45	45	87	32,7	HG630;HG-N630;KNCS630 KNCS-N630	THW 630R

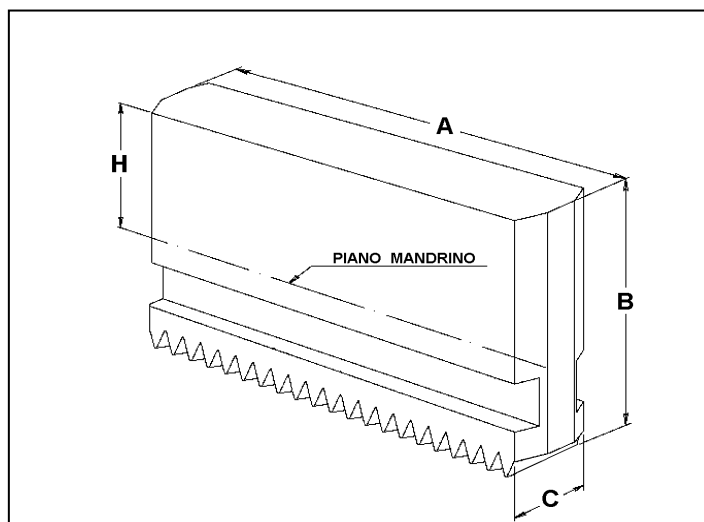
morsetti monoblocco "UVB"- "SMB" catalogo | catalogue monoblock jaws "UVB"- "SMB"

MATERIALE / material : C45

DENTATURE E SCANALATURE DI GUIDA
TEMPRATE A INDUZIONE E RETTIFICATE

Teeth and slots are
induction hardened and ground.

SMB
SMB-H



MANDRINI / chucks : SMW/AUTOBLOK - SCHUNK - FORKARDT - ROHM

CODICE code	Ø MAND chuck	A	B	C	H	KG	SMW/AUTOBLOK	FORKARDT	ROHM	SCHUNK
SMB160	160	79	45	20	24	1,7	HG-F160	F160 ; F+160	DURO160	ROTA-S160
SMB-H160	160	79	60	20	39	2,2		KTNC160 FNC175 KTNCV160-175	DURO-NC160 DURO-NC175 DURO-NCE160	
SMB200	200	94	60	22	35	2,9	HG-F210	F200;F+200	DURO200	ROTA-NCWF210
SMB-H200		94	80	22	55	3,9		KTNC200 KTNCV200 FNC200	DURO-NCE200 DURO-NC200 DURO-NC225	
SMB250	250-315	115	70	26	40	4,9	HG-F260	F250 ; F+250	DURO250;	ROTA-NCWF250-315
SMB-H250		115	100	26	70	7,0		FNC250-315 KTNC250-280-315 KTNCV250-315	DURO-NCE250 DURO-NC250 DURO-NC315	
SMB315	315-400	140	81	32	46	8,5	HG-F315	F315 ; F+315	DURO315	ROTA-S315
SMB-H315		140	135	32	100	14,2		FNC400 ; UNC400 KTNC360-400 KTNCV400	DURO-NCE400 DURO-NC315	
SMB-400	400-630	176	93	45	53	17,3	HG-F400 HG-F500	F400;FNC500-630 KTNC500-630 KTNCV500-630 F+500L;F500-L F+400;UNC500	DURO400-500 DURO-NCE500 DURO-NC400 DURO-NC500	ROTA-S400-500 ROTA-Splus400 ROTA-Splus500

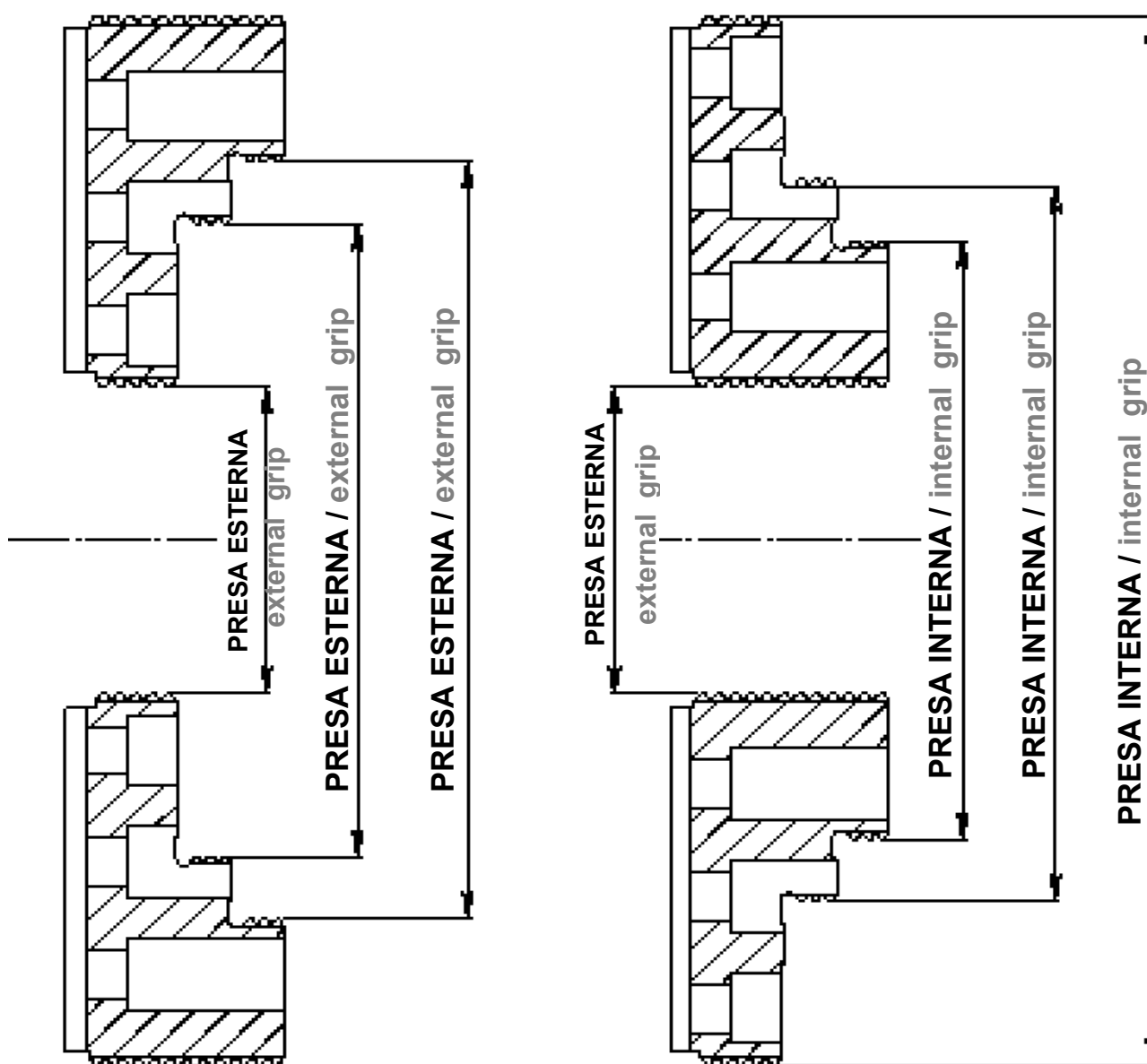
morsetti temprati reversibili

reversible hardened jaws

catalogo | catalogue

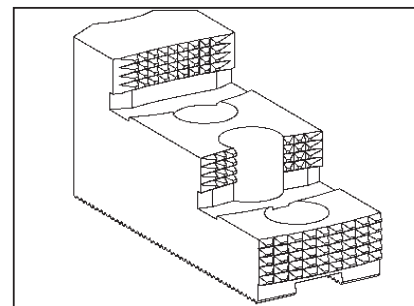
QUESTI MORSETTI PERMETTONO UNA PRESA SICURA DEI PEZZI GREZZI SU UN AMPIO CAMPO DI DIAMETRI, SIA PER PRESE ESTERNE CHE PER PRESE INTERNE.

These jaws enable a safe workpieces grip on a wide range of diameters, both for external and internal grips.



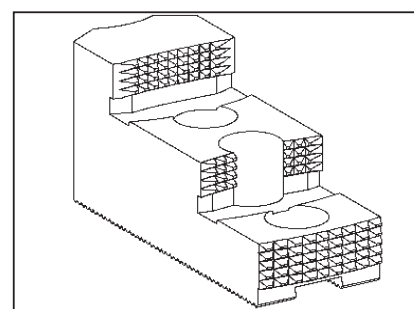
MANDRINO / chuck	PAG.	DENTATURA / pitch: 1/16"x90° - 3/32"x90°
------------------	------	---

SMW-AUTOBLOK	68-69
BERG	68-69
FORKARDT	68-69
GAMET-CMT	68-69
M.P.T.-PINTO	68-69
ROHM	68-69
SCHUNK	68-69



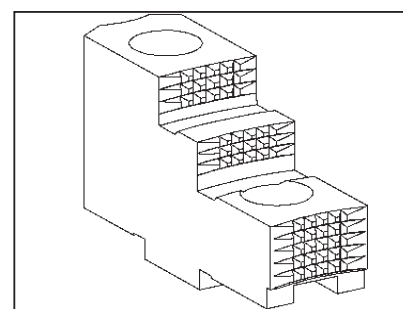
MANDRINO / chuck	PAG.	DENTATURA / pitch: 1,5x60°
------------------	------	----------------------------

SMW-AUTOBLOK (METRICO)	70-71
HOWA	70-71
KITAGAWA	70-71
MATSUMOTO-AUTOSTRONG-SAMCHULLY-SEOAM	70-71
SCHUNK	70-71



MANDRINO / chuck	PAG.	INCASTRO A CROCE tongue & groove
------------------	------	-------------------------------------

SMW-AUTOBLOK	72-73
BERG	72-73
FORKARDT	72-73
KITAGAWA-SAMCHULLY	72-73
ROHM	72-73
SCHUNK	72-73



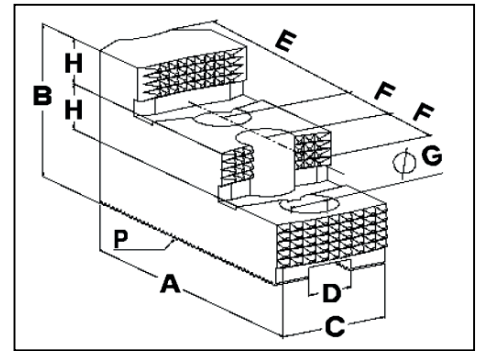
morsetti temprati reversibili reversible hardened jaws

catalogo | catalogue

MATERIALE : ACCIAIO 18NiCrMo5 TEMPRATO
material : hardened steel 18NiCrMo5

DENTATURA / pitch: 1/16"x90°
3/32"x90°

MANDRINI / chucks
AUTOBLOK - BERG - CMT
FORKARDT - GAMET - M.P.T. PINTO
ROHM - SCHUNK - SMW

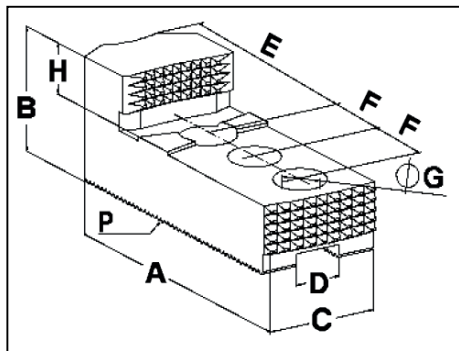


TIPO / type I

CODICE/code	Ø MAND / chuck	P	TIPO	A	B	C	D	E	F	G	H	KG	AUTOBLOK
3101/MTR	125-150	1/16"x90°	I	58	34	29	12	14	16	9	8,5	0,2	AND125;ALD125;BHD130; BBD140;HYDS150;PBD130 HBD130;GHDN125;IDN125
3102/MTR	160	1/16"x90°	I	65	39	34	14	18	16	11	10	0,3	AND165;ALD165;BHD165; BHD/FC165;IDL170;HYDS170 RCD165;PBD165;HBD165 GHDN165;PBDI165;BBD175 GHD/FC165;IDN170;HYDS180 HDN/FC170;HDN170;HDL170
3103/MTR	200-220	1/16"x90°	I	82	45	38	17	19	23	13	10,5	0,6	AND210;ALD210;HYDS210 BHD210;BBD210;GHDN210 RCD210;CD200;HDN/FC200 IDN200;IDN220;BHD/FC210 IDL200;HDN200;GHD/FC210 HDN220;HDL200;PBDI210 PBD210;HBD210;HYDS226
3104/MTR	250-315	1/16"x90°	I	105	56	45	21	28	30	17	13,5	0,98	AND250-315;ALD250-315 BHD250-315;HYDS250-315 BHD/FC250-315;CD250-305 HDN/FC250-315;PBD250-315 GHD/FC250-305;HBD250-315 PBDI250-305;RCD250-315 IDN250-315;GHDN250-315 IDL250-315;HDN250-315 HDL250-315;BBD250
3105/MTR	315-350	1/16"x90°	I	122	56	50	21	43	30	17	13,5	1,43	BBD315;GHD315 GHDN315;HYD350
3106/MTR	400	1/16"x90°	I	120	74	55	21	31	34	17	22	1,9	GHD/FC400;GHDN400 HDN/FC400;HYDS400 RCD400;IDN400;IDL400 HDN400;HDL400;HYD400
3107/MTR	400	1/16"x90°	I	152	74	55	21	57	34	17	22	2,58	GHDN400
3108/MTR	500	3/32"x90°	II	147	73	55	28	46	38	21	32	2,23	GHD500;GHD630 HDN/FC500;HDN/FC630
3109/MTR	610-800	3/32"x90°	II	147	75	70	28	46	38	21	32	3,2	IDN500-630-800;HYDS500 IDL500-630-800
3110/MTR	500-630	3/32"x90°	II	147	73	55	25,5	46	38	21	32	2,25	HDN/FC500-630; AND400;ALD400; RCD500;GHDN500
3111/MTR	610-800	3/32"x90°	II	147	75	70	25,5	46	38	21	32	3,23	GHDN610-640-800;IDN500 HDN/FC500-630;IDN800 IDL500-630-800

morsetti temprati reversibili

reversible hardened jaws



TIPO / type II

	BERG	FORKARDT	GAMET	M.P.T.PINTO	ROHM	SCHUNK	SMW
		3KTH130;3KTH140		F125;GL130;GLR130 VR125;NR125	KFD130;KFD-HS160/175 KFH140;KFD-HE170 LVE125	HSG160 ROTA NCD160	KDV130 KDV140
			MAC165 GA160 DELTA160 MAC170 GA170	F160;GL165;GLR165 FC165;VR160;NR160		TP160	
	KHFF200 KF200 HES200 HESF200	KH200;KGH200;KGF200 KS200;KSF200;KT200;KTG200 KTGF200;KTH200;KTN200 NH200;NHF200;UVE200-250 QLC210;KL250 Mo;KS250 KS250 Mo;KSHF250-55 KSHF250-65;NHF250/65-290	MAC200 MAC220 GA210 DELTA200 DELTA220	F200;F210;GLR205 GLR210/220;GL205 GA210;GL220;FC200 MA200;MA210/225 VR200;NR200	KFD200;KFD-HE210 KFD-HF200;KFH200 KFH-F200;KFH-G200 KFH-NC200;LVE200 SPD215;SPO215 KFL250;KFD-HS250 SPD250	HSL210 ROTA NC210 ROTA NCF210 ROTA NCO200 ROTA NCD200 TH210;THF210 TP200	KFKS200;KDV200 KDV250;KFKS200 KFK200;KDM-F200 KFMF200;KFBV200 KDM200;SP200 STP200;STWP200
	KF250-315 HES315-360 KHFF250-315 HES250-280 HESF250-315 KFF250-315	KG250;KL250;KLNC250 KP250;KSH250;KSHF250 KSPS250;KT250;KTGF250 KTN250;NH250;NHF250 QLC250;NHF250	MAC250 MAC215 GA250 DELTA250	F250;GLR250;NR315 GL250;MA250;VR250 NR250;TR250;MA280 F315;FV315;GLR315 GL315;VR315;MA315 MA350;TR315	KFD250;KFD-HF250 KFH250;KFH-F250 KFH-G250;KFH-NC250 LVE250;KFD-HE254 KFD-HS315	HSL250 ROTA NC250 ROTA NCD250 ROTA NCF250 ROTA NCO250 TH250;THF250 TP250	KFK250;KFKS250 KDM250;STP250 KFV250;STWP250 KFKN-D250;SP250 KFMF250;STP250 STWP250
		NHF290-104;KSPS300 KG315;KLNC315;KP315 KS315;KSH315;KSHF315 KT315;KTGF315;NH315 NHF315;QLC315;UVE315 KS400;KSH400;KSHF400	GA315 MAC315 DELTA320	F400;FV400;GLR400 GL400;FC400;MA400	SPD300;SPO300;LVE305 KFD315;KFD-HE315 KFD-HF315;KFH315 KFH-F315;KFH-G315 KFH-NC315;KFL315/400 LVE315	HSL315;TP315 ROTA NC315 ROTA NCD315 ROTA NCF315 ROTA NCO315 TH315;THF315	KFK315;KFKS315 KFKN-D315;SP315 KFMF315;KFV315 KDV315;STWP315 KDVG400;KFV315 KDV400;STP315
				F500/630/800;FV500 FV630/800;GL500/630 GLR500/630;MA450 MA530/570/630/800			
	HES400-630 KF400-630 KFF500-630 HESF500-630	KG400;KL400;KLNC400 KP400;KT400;KTGF400 NH400;NHF400;QLC400 UVE400;KG500;KL500 KLNC500;KP500;KS500 KT500;KTGF500;NH500 NHF500;UVE500;KS630 KSL630;KSHF630;KT630 KTGF630;NH630;NHF630 UVE630;UVE800	DELTA400		KFD400;KFD-HE400 KFD-HF400;KFD-HS400 KFH400;KFH-F400 KFH-G400;KFH-NC400 LVE400/500/630/800 KFD500;KFD-HF500 KFD-HS500;KFH500 KFH-F500;KFH-G500 KFH-NC500;KFL500 KFL600;KFD630/800	HSG400;HSL400 ROTA NC400 ROTA NCD400 ROTA NCF400 ROTA NCO400 TH400;THF400 HSG500;TH500 THF500	KDS400;KDS500 KFK400;KFK500 KFKS400;KFKS500 KDM400;KDV500 KFV400;KFV500 KFV630;KFV800

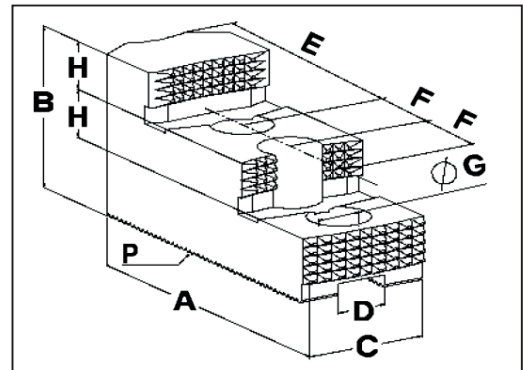
morsetti temprati reversibili reversible hardened jaws

catalogo | catalogue

MATERIALE : ACCIAIO 18NiCrMo5 TEMPRATO
material : hardened steel 18NiCrMo5

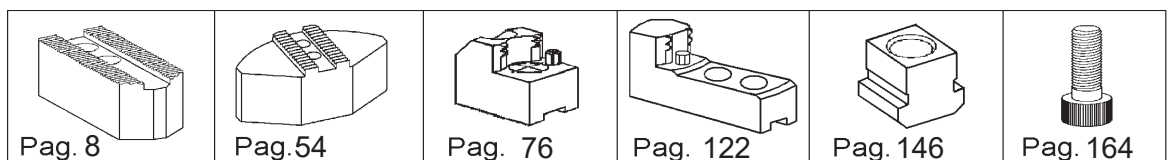
DENTATURA / pitch: 1,5"x60°
3x60°

MANDRINI / chucks
AUTOBLOK (METRICO / metric)
HOWA - KITAGAWA
SCHUNK - MATSUMOTO
AUTOSTRONG-SAMCHULLY-SEOAM



TIPO / type I

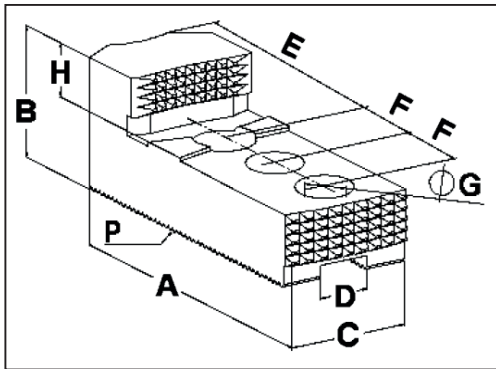
CODICE/code	Ø MAND / chuck	P	TIPO	A	B	C	D	E	F	G	H	KG
3200/MTR	110-135	1.5x60°	II	53	27,5	23	10	22,5	14	9	10	0,2
3201/MTR	165	1.5x60°	II	67,5	36	31	12	14,5	20	11	12	0,3
3202/MTR	210	1.5x60°	I	86	51	35	14	17,5	25	13	12	0,66
3203/MTR	254	1.5x60°	I	101	54	40	16	25	30	13	13	0,94
3204/MTR	304	1.5x60°	II	103	55	48	18	25	30	15	20	1,22
3205/MTR	304-315	1.5x60°	II	103	55	48	21	25	30	17	20	1,27
3206/MTR	381	1.5x60°	I	149	86	62	22	27	43	21	20	3,2
3207/MTR	381	1.5x60°	I	149	86	62	25,5	27	43	21	20	3,2
3208/MTR	454-610	3x60°	II	159,5	90	80	25	27,5	50	21	40	4,5



morsetti temprati reversibili

reversible hardened jaws

catalogo | catalogue



TIPO / type II

AUTOBLOK	HOWA	SAMCHULLY	KITAGAWA	MATSUMOTO	SCHUNK
	HO1MA4 HO24M5	Ø 110	HJ-4; AS110; N-4 B205; B204	H-4-21	
BBM175;ALM165 ANM165;BHM165 BHM-FC165;HBM165 PBM165	HO1MA6;HO7M6 HO15M6;HO22M6 HO27M6;HO37M6 HO47M6;HO24M16	Ø 165	B206;HOH206 B-160;B106;B06 HOH-160;N160;N06 HJA5-6;HO6;HOH06 HOB6;HOS-6;B7 AS165;HOH106		ROTA NCK165
BBM210;ALM210 ANM210;BHM210 BHM-FC210;HBM210 PBM210	HO7MA8 HO15M8 HO23M8	Ø 210	B208;B200;B8;N8 B108;HOH-200;N-200 HJA6-8;HO8;HOH108 HOB-8;HOS-8;HOH208 AS210;HOH8	H-8;HA6-8;HJ-8 HH8;HX-8;STC-8 HHJ-8;ZA6-8	ROTA NCK210
BBM250;ALM250 ANM250;BHM250 BHM-FC250;HBM250 PBM250	HO22M8;HO27M8 HO37M8;HO7MA10 HO15M10;HO23M10 HO24M8	Ø 254	B-210;B110;B250 HOH-250;B10;N-250 HJA6-10;HOH110;N10 HJA8-10;HO-10;HOH10 HOB-10;HOS-10 AS250;HOH210	H-10;HA8-10 HH-10;HHL-10 HX10;STC-10 HA6-10;HHJ10 ZA6-10;HJ10 HA8-11	ROTA NCK250
	HO22M10;HO22MA10 HO24M10;HO27M10 HO37M10;HO47M10 HO7MA12;HO15M12 HO23M12	Ø 304	B-300;B12;HOH12 HOH-300;N-300;N12 HJA6-12;HJA8-12 HLA6-12;HO-12;HOB12 HOS-12;HLA6-15 HLA8-15	H12;HA8-12 HH-12;HX-12 HHL-12;SH-12 HJ-12;HHJ12	
ALM/ANM/BBM 315 BHM/BHM-FC/PBM 315	HO27M12;HO37M12 HO47M12	Ø 304-315	B-212		ROTA NCK315
		Ø 381	B-380;B15;HOH15 HJ-380;HOH380 HOB-15;B18 B-450;HOB-18 HOH18;HOH15-K	HA11-15;HHL-15 H-15;HH-15 ZA11-15-120 HA11-18;H-18 HH-18	
		Ø 381	N15;N15A N18;N18A		
		Ø 454-610	B-21;B24		

morsetti temprati reversibili

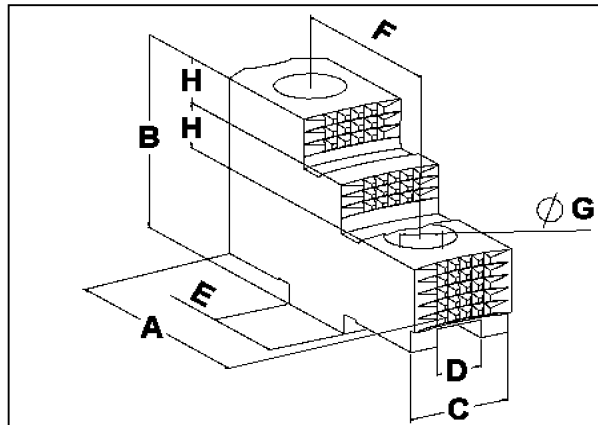
reversible hardened jaws

catalogo | catalogue

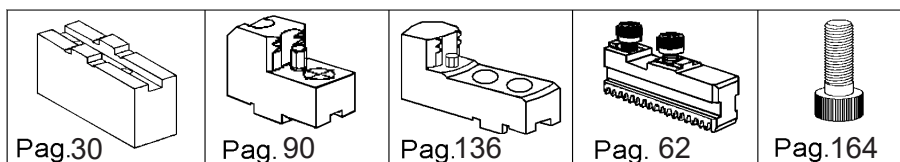
MATERIALE : ACCIAIO 18NiCrMo5 TEMPRATO
material : hardened steel 18NiCrMo5

INCASTRO A CROCE / tongue & groove

MANDRINI / chucks
SMW-AUTOBLOK - BERG
FORKARDT - KITAGAWA
ROHM - SCHUNK-SAMCHULLY



CODICE/code	Ø MAND / chuck	A	B	C	D	E	F	G	H	KG
3301/MTR	160-175	63	36,5	20	8	18	32	9	7,5	0,18
3302/MTR	200-225	72	43	22	10	20	40	9	10	0,28
3303/MTR	250-315	90	55	30	12	20	40	13	14	0,65
3304/MTR	315-400	103	62	36	12	26	54	13	15	1,1
3305/MTR	500-630	130	82	45	18	30	60	17	20	2,2



morsetti temprati reversibili

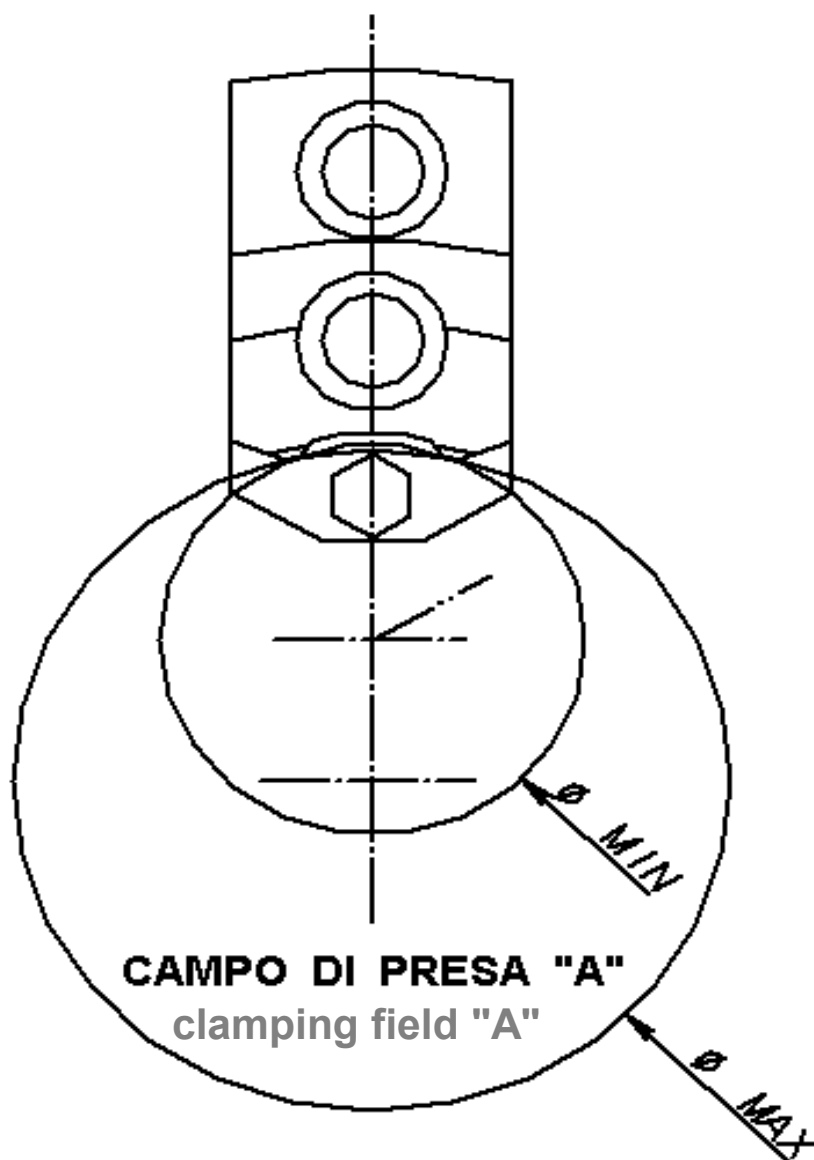
reversible hardened jaws

catalogo | catalogue

	SMW-AUTOBLOK	BERG	FORKARDT	KITAGAWA	ROHM	SCHUNK
	HG160;HG-F160 HG-N160 KNCS160 KNCS-N170 KNSP160	KHNC160 KHNC185	F160;F+160 KTNC160 KTNCV160 KTNCV175 FNC175		DURO160 DURO-NC160 DURO-NCE160 DURO-NC175	ROTA-G160 ROTA-S160 ROTA-S plus160 THW 165R
	HG200;HG-F210 HG-N210 KNCS200-225 KNCS-N210-225 KNSP200	KHNC200	F200;F+200 FNC200 KTNCV200 KTNC200	QJ8	DURO200 DURO-NC200 DURO-NCE200 DURO-NC225	ROTA-G200 ROTA NCW225 ROTA NCWF210 ROTA-S200 ROTA-S plus200 THW 210 R/F
	HG250-315 HG-F260 HG-N260-315 KNCS250-260 KNCS315-325 KNCS-A250-315 KNCS-N260-315	KHNC250 KHNC315	F250;F+250 FNC250-315 UNC250-315 KTNCV250 KTNCV315 KTNC250/280/315	QJ10 QJ12	DURO250 DURO-NC250 DURO-NCE250 DURO-NCE315	ROTA-G 250-315 ROTA-NCW265-315 ROTA-NCWF250-315 ROTA-S250 ROTA-S plus250 THW250-265 R/F THW315R
	HG400;HG-F315 HG-N400 KNCS400 KNCS-A400 KNCS-N400	KHNC400	F315;F+315 FNC400 KTNCV400 KTNC360 KTNC400 UNC400		DURO315 DURO-NC315 DURO-NCE400	ROTA-G400 ROTA-NCW400 ROTA-S315 ROTA-S plus315 THW315F THW400 R/F
	HG500-630 HG-F400-500 HG-N500-630 KNCS500-630 KNCS-A500 KNCS-N500-630	KHNC500	F400;F+400 F500L;F+500L FNC500-630 KTNC500-630 KTNCV500-630 UNC500 KTNC500-630		DURO400-500 DURO-NC400 DURO-NC500 DURO-NCE500	ROTA-G500 ROTA-S400-500 ROTA-S plus400 ROTA-S plus500 THW500-630R

QUESTO MORSETTO PERMETTE UNA PRESA ESTERNA SICURA SU DIVERSI DIAMETRI (CAMPO DI PRESA "A"), ATTRAVERSO LA PENETRAZIONE DI DUE FILE DI DENTI SUL PARTICOLARE GREZZO.

This jaw allow a safe external grip on different diameters (clamping field "A") by penetration of two rows of teeth on raw workpiece.

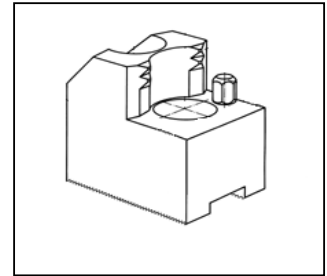


NOTA : I DIAMETRI DI PRESA SONO A TITOLO INDICATIVO NON VINCOLANTE PER TUTTI GLI ARTICOLI PRESENTI E PERTANTO POSSONO SUBIRE VARIAZIONI SENZA ALCUN PREAVVISO.

note : Clamping diameters are indicative and not binding for all items in this catalog and can be changed at any time and without notice.

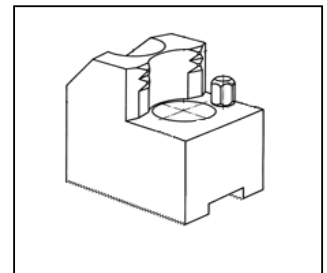
MANDRINO / chuck	PAG.	DENTATURA / pitch: 1/16"x90°- 3/32"x90°
------------------	------	--

SMW-AUTOBLOK	76-85
CMT	76-85
BERG	76-85
FORKARDT	76-85
GAMET	76-85
ROHM	76-85
SCHUNK	76-85



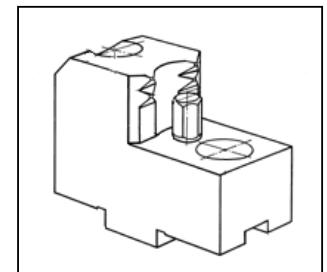
MANDRINO / chuck	PAG.	DENTATURA / pitch: 1,5x60°
------------------	------	----------------------------

SMW-AUTOBLOK (METRICO)	86-89
CMT (METRICO / metric)	86-89
HOWA	86-89
KITAGAWA-AUTOSTRONG-SAMCHULLY-SEOAM	86-89



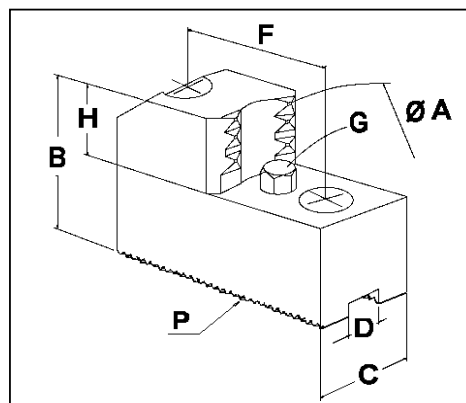
MANDRINO / chuck	PAG.	INCASTRO A CROCE tongue & groove
------------------	------	-------------------------------------

SMW-AUTOBLOK	90-101
BERG	90-101
FORKARDT	90-101
ROHM	90-101
SAMCHULLY	90-101
SCHUNK	90-101



DENTATURA / pitch: 1/16"x90°

MANDRINI / chucks
SMW/AUTOBLOK - CMT
BERG - FORKARDT
GAMET - ROHM - SCHUNK



MANDRINI / chucks Ø 140 - 160

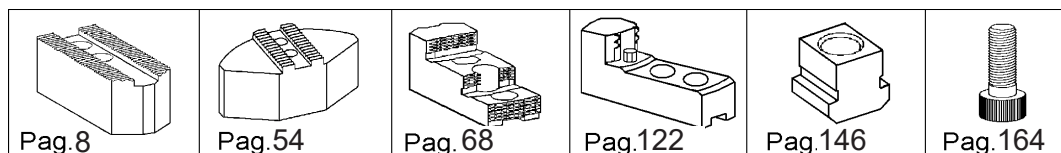
CODICE /code	B	C	D	F	G	H	DIN912	P	KG	BERG	
										KH140	KH160
										CAMPO DI PRESA gripping range (A)	CAMPO DI PRESA gripping range (A)
40.14.01/MTE	37	30	10	17,5	M6	13	M10	1/16"x90°	0,30	36-60	46-80
40.14.02/MTE	"	"	"	"	"	"	"	"	0,22	60-85	71-105
40.14.03/MTE	"	"	"	"	"	"	"	"	0,22	85-110	96-130
40.14.04/MTE	"	"	"	"	"	"	"	"	0,24	110-135	120-154

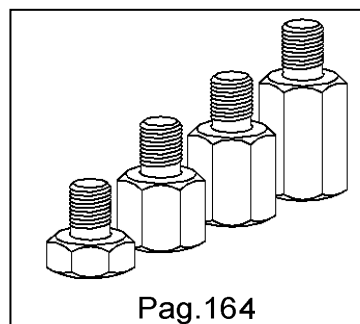
MANDRINI / chucks Ø 160 - 175

CODICE /code	B	C	D	F	G	H	DIN912	P	KG	ROHM		SCHUNK
										KFD-HS160	KFD-HS175	HSG160-46
										CAMPO DI PRESA gripping range (A)	CAMPO DI PRESA gripping range (A)	CAMPO DI PRESA gripping range (A)
41.16.31/MTE	38	34	12	2x15	M6	20	M8	1/16"x90°	0,38	30-70	40-85	35-64
41.16.32/MTE	"	"	"	"	"	"	"	"	0,32	60-100	70-115	64-94
41.16.33/MTE	"	"	"	"	"	"	"	"	0,31	90-130	100-145	94-140

MANDRINI / chucks Ø 165 - 175

CODICE /code	B	C	D	F	G	H	DIN912	P	KG	SMW/AUTOBLOK-CMT			
										ALD165 BBD175	AND ; BHD; HYDS GBI	HFKN165-46	SP160-38
										CAMPO DI PRESA gripping range (A)	CAMPO DI PRESA gripping range (A)	CAMPO DI PRESA gripping range (A)	CAMPO DI PRESA gripping range (A)
41.16.01/MTE	48	28	14	16	M6	20	M10	1/16"x90°	0,42	30-60	30-50	30-50	35-60
41.16.02/MTE	"	"	"	"	"	"	"	"	0,32	60-85	50-75	50-75	55-85
41.16.03/MTE	48	38	14	16	M6	20	M10	1/16"x90°	0,44	85-110	75-100	75-100	82-110
41.16.04/MTE	"	"	"	"	"	"	"	"	0,37	110-135	100-125	100-125	105-135





MANDRINI / chucks Ø 165 - 170

										GAMET Ø165-170		
										DELTA 170	MAC165	MAC170
CODICE /code	B	C	D	F	G	H	DIN912	P	KG	CAMPO DI PRESA gripping range (A)	CAMPO DI PRESA gripping range (A)	CAMPO DI PRESA gripping range (A)
41.16.01/MTE	48	28	14	16	M6	20	M10	1/16"x90°	0,42	30-55	30-54	35-58
41.16.02/MTE	"	"	"	"	"	"	"	"	0,32	50-80	55-81	58-85
41.16.03/MTE	48	38	14	16	M6	20	M10	1/16"x90°	0,44	75-105	82-105	85-110
41.16.04/MTE	"	"	"	"	"	"	"	"	0,37	100-135	106-130	110-130

MANDRINI / chucks Ø 175 - 200

										BERG	
										KH175	KH200
CODICE /code	B	C	D	F	G	H	DIN912	P	KG	CAMPO DI PRESA gripping range (A)	CAMPO DI PRESA gripping range (A)
40.17.05/MTE	48	35	12	21	M6	20	M12	1/16"x90°	0,6	38-60	52-84
40.17.06/MTE	"	"	"	"	"	"	"	"	0,53	52-74	66-98
40.17.07/MTE	"	"	"	"	"	"	"	"	0,42	74-96	88-120
40.17.08/MTE	"	"	"	"	"	"	"	"	0,37	96-118	110-142
40.17.09/MTE	"	"	"	"	"	"	"	"	0,4	118-140	132-164
40.17.10/MTE	"	"	"	"	"	"	"	"	0,4	140-162	150-185
40.17.11/MTE	"	"	"	"	"	"	"	"	0,54	160-182	174-206

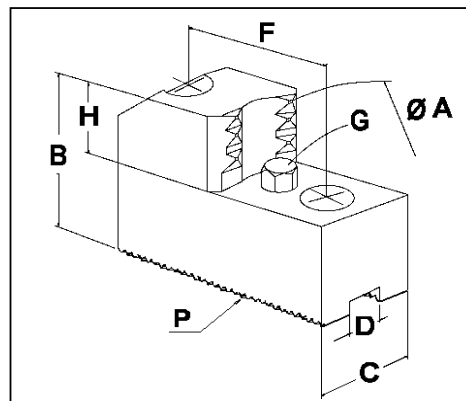
morsetti temprati per prese esterne hardened jaws for external grips

catalogo | catalogue

MATERIALE : ACCIAIO 18NiCrMo5 TEMPRATO
material : hardened steel 18NiCrMo5

DENTATURA / pitch: 1/16"x90°

MANDRINI / chucks
SMW/AUTOBLOK - CMT
BERG - FORKARDT
GAMET - ROHM - SCHUNK



MANDRINI / chucks Ø 160 - 175 - 200

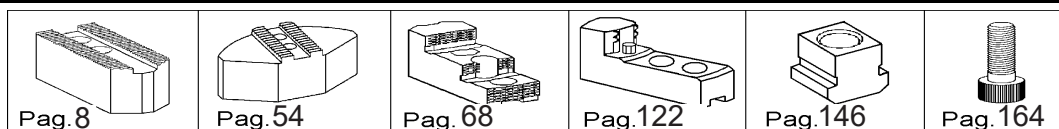
CODICE /code	B	C	D	F	G	H	DIN912	P	KG	SMW/AUTOBLOK		BERG
										KFK ; HFKS160	KDV ; KDV G160	KF3 160
										CAMPO DI PRESA gripping range (A)	CAMPO DI PRESA gripping range (A)	CAMPO DI PRESA gripping range (A)
41.16.05/MTE	48	38	17	22	M6	20	M12	1/16"x90°	0,6	38-55	30-47	30-38
41.16.06/MTE	"	"	"	"	"	"	"	"	0,54	55-72	47-62	39-54
41.16.07/MTE	"	"	"	"	"	"	"	"	0,44	72-90	62-80	55-71
41.16.08/MTE	"	"	"	"	"	"	"	"	0,46	90-105	80-98	72-88
41.16.09/MTE	"	"	"	"	"	"	"	"	0,52	105-124	98-115	89-105
41.16.10/MTE	"	"	"	"	"	"	"	"	0,52	124-140	115-132	106-122

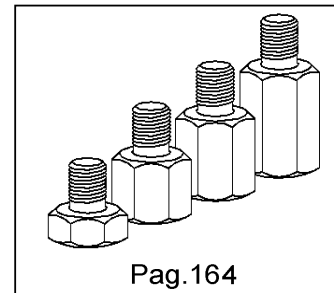
MANDRINI / chucks Ø 200 - 210

CODICE /code	B	C	D	F	G	H	DIN912	P	KG	SMW/AUTOBLOK-CMT Ø210		
										ALD210	AND ; BBD GFI ; GBI	BHD ; BHD-FC KDV ; KDV G
										CAMPO DI PRESA gripping range (A)	CAMPO DI PRESA gripping range (A)	CAMPO DI PRESA gripping range (A)
41.21.11/MTE	48	38	17	23	M6	25	M12	1/16"x90°	0,72	30-65	30-60	30-60
41.21.12/MTE	"	"	"	"	"	"	"	"	0,6	60-90	60-88	50-85
41.21.13/MTE	"	"	"	"	"	"	"	"	0,46	90-120	88-120	80-115
41.21.14/MTE	"	"	"	"	"	"	"	"	0,46	120-150	120-150	110-145
41.21.15/MTE	"	"	"	"	"	"	"	"	0,42	150-185	150-180	140-180

MANDRINI / chucks Ø 200 - 250

CODICE /code	B	C	D	F	G	H	DIN912	P	KG	GAMET Ø200-220		
										MAC200	DELTA210	MAC220
										CAMPO DI PRESA gripping range (A)	CAMPO DI PRESA gripping range (A)	CAMPO DI PRESA gripping range (A)
41.21.11/MTE	48	38	17	23	M6	25	M12	1/16"x90°	0,72	33-52	30-55	50-70
41.21.12/MTE	"	"	"	"	"	"	"	"	0,6	60-80	55-85	78-100
41.21.13/MTE	"	"	"	"	"	"	"	"	0,46	90-110	85-115	110-130
41.21.14/MTE	"	"	"	"	"	"	"	"	0,46	120-140	110-150	140-160
41.21.15/MTE	"	"	"	"	"	"	"	"	0,42	145-170	140-180	145-190





Pag.164

FORKARDT Ø160-175					ROHM Ø160-200		SCHUNK
NH-NHF160	NH-NHF175	KS-KSH160	KT160	UVE160	KFD 160 KFD-HF 160	KFD-HS200	TH165-37 THF165-37
CAMPO DI PRESA gripping range (A)	CAMPO DI PRESA gripping range (A)	CAMPO DI PRESA gripping range (A)	CAMPO DI PRESA gripping range (A)	CAMPO DI PRESA gripping range (A)	CAMPO DI PRESA gripping range (A)	CAMPO DI PRESA gripping range (A)	CAMPO DI PRESA gripping range (A)
32-50	42-62	30-40	30-40	35-55	30-48	45-80	36-54
50-65	60-77	38-55	46-58	55-75	48-64	65-95	54-70
65-83	77-95	52-70	65-75	75-90	64-82	80-115	70-86
83-100	95-110	68-90	80-90	90-105	82-100	100-130	86-102
100-120	110-130	85-105	95-110	105-125	100-116	115-150	102-122
120-130	130-145	105-130	115-130	125-145	116-135	130-170	122-138

SMW/AUTOBLOK Ø200-210			BERG Ø200		FORKARDT Ø200			
HFKN-D	HFK210 HFKS200-48	SP200-52 HFKS200-66	KF	KHFF	KG	KS ; KT NH ; NHF	UVE	KTH
CAMPO DI PRESA gripping range (A)	CAMPO DI PRESA gripping range (A)	CAMPO DI PRESA gripping range (A)	CAMPO DI PRESA gripping range (A)	CAMPO DI PRESA gripping range (A)	CAMPO DI PRESA gripping range (A)	CAMPO DI PRESA gripping range (A)	CAMPO DI PRESA gripping range (A)	CAMPO DI PRESA gripping range (A)
30-60	30-60	35-60	30-47	30-47	30-48	30-48	30-55	35-48
60-90	45-90	60-90	47-70	47-75	45-77	45-77	55-82	62-77
90-120	80-120	90-120	60-100	75-105	60-108	77-108	82-112	90-108
120-150	110-145	120-150	90-130	105-135	90-135	106-135	112-140	120-135
150-180	140-180	150-180	120-160	135-165	117-165	135-165	140-170	150-170

ROHM Ø200-250			SCHUNK			SMW
KFD 200 KFD-HF200	KFL250	KFD-HS250	HSG200-66	TH210-52 THF210-52	HSG250-91	KDV250
CAMPO DI PRESA gripping range (A)	CAMPO DI PRESA gripping range (A)	CAMPO DI PRESA gripping range (A)	CAMPO DI PRESA gripping range (A)	CAMPO DI PRESA gripping range (A)	CAMPO DI PRESA gripping range (A)	CAMPO DI PRESA gripping range (A)
30-50	44-102	30-102	35-60	30-60	60-95	35-90
50-80	74-125	60-125	60-90	55-90	90-125	60-120
80-110	102-160	90-160	90-120	85-120	120-155	90-150
110-138	130-190	115-190	120-150	115-150	150-185	120-180
138-165	160-220	145-220	150-180	145-180	180-215	150-205

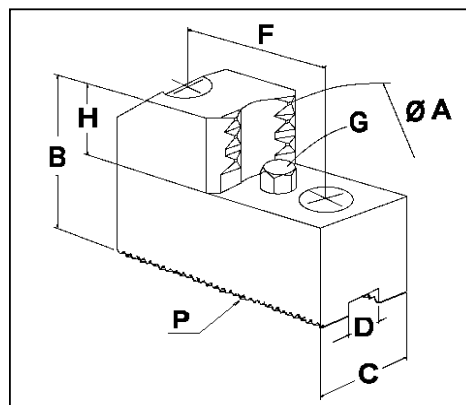
morsetti temprati per prese esterne hardened jaws for external grips

catalogo | catalogue

MATERIALE : ACCIAIO 18NiCrMo5 TEMPRATO
material : hardened steel 18NiCrMo5

DENTATURA / pitch: 1/16"x90°

MANDRINI / chucks
SMW/AUTOBLOK - CMT
BERG - FORKARDT
GAMET - ROHM - SCHUNK



MANDRINI / chucks Ø 250 - 315

CODICE /code	B	C	D	F	G	H	DIN912	P	KG	BERG	
										KH250	KH315
										CAMPO DI PRESA gripping range (A)	CAMPO DI PRESA gripping range (A)
40.25.12/MTE	58	48	16	29	M6	22	M16	1/16"x90°	1,54	50-100	50-164
40.25.13/MTE	"	"	"	"	"	"	"	"	1,14	92-126	118-186
40.25.14/MTE	"	"	"	"	"	"	"	"	0,9	126-160	148-216
40.25.15/MTE	"	"	"	"	"	"	"	"	0,76	160-194	186-254
40.25.16/MTE	"	"	"	"	"	"	"	"	0,9	194-228	220-288

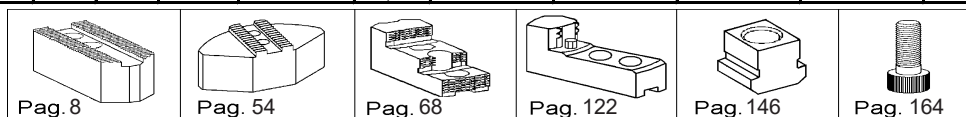
MANDRINI / chucks Ø 250

CODICE /code	B	C	D	F	G	H	DIN912	P	KG	SMW/AUTOBLOK-CMT Ø250			
										ALD ; BBD	AND ; BHD	HFKN-D260 HFK ; HFKS	SP280-92
										CAMPO DI PRESA gripping range (A)	CAMPO DI PRESA gripping range (A)	CAMPO DI PRESA gripping range (A)	CAMPO DI PRESA gripping range (A)
41.25.17/MTE	58	48	21	30	M8	25	M16	1/16"x90°	1,3	60-95	55-90	60-95	80-115
41.31.23/MTE	"	"	"	"	"	"	"	"	1,0	95-130	90-125	95-130	115-155
41.25.18/MTE	"	"	"	"	"	"	"	"	0,85	130-165	125-160	130-165	155-190
41.25.19/MTE	"	"	"	"	"	"	"	"	0,96	165-195	160-190	165-195	190-220
41.25.20/MTE	"	"	"	"	"	"	"	"	0,88	195-235	190-230	195-235	220-255
41.31.25/MTE	"	"	"	"	"	"	"	"	1,27	235-265	230-265	235-265	255-290

MANDRINI / chucks Ø 315 *

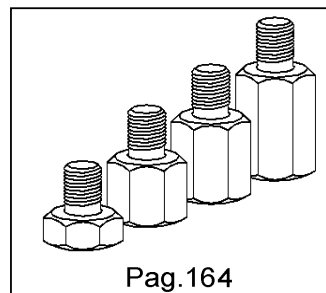
CODICE /code	B	C	D	F	G	H	DIN912	P	KG	SMW/AUTOBLOK-CMT Ø315			
										ALD ; AND	BHD ; HFK GBI ; GFI	BBD	HFKN-D315-91
										CAMPO DI PRESA gripping range (A)	CAMPO DI PRESA gripping range (A)	CAMPO DI PRESA gripping range (A)	CAMPO DI PRESA gripping range (A)
41.31.22/MTE	58	48	21	30	M8	25	M16	1/16"x90°	1,66	50-125	50-115	75-115	60-110
41.25.17/MTE	"	"	"	"	"	"	"	"	1,31	-	-	110-150	100-150
41.31.23/MTE	"	"	"	"	"	"	"	"	1,02	115-190	115-185	150-185	135-185
41.25.18/MTE	"	"	"	"	"	"	"	"	0,85	-	148-223	185-220	170-215
41.25.19/MTE	"	"	"	"	"	"	"	"	0,96	185-265	185-255	220-255	205-255
41.25.20/MTE	"	"	"	"	"	"	"	"	0,88	-	-	250-288	240-285
41.31.25/MTE	"	"	"	"	"	"	"	"	1,27	255-330	255-320	288-320	275-325

* SEGUE PAGINA SUCCESSIVA



morsetti temprati per prese esterne hardened jaws for external grips

catalogo | catalogue



Pag.164

BERG Ø250		FORKARDT Ø250			GAMET Ø250-260			ROHM
KF250	KHFF250	KG ; KLNC	KSH	KT ; NH ; NHF250	DELTA250	MAC250	DELTA260	KFD 250 KFD-HF
CAMPO DI PRESA gripping range (A)	CAMPO DI PRESA gripping range (A)	CAMPO DI PRESA gripping range (A)	CAMPO DI PRESA gripping range (A)	CAMPO DI PRESA gripping range (A)	CAMPO DI PRESA gripping range (A)	CAMPO DI PRESA gripping range (A)	CAMPO DI PRESA gripping range (A)	CAMPO DI PRESA gripping range (A)
46-75	46-79	46-75	50-84	46-75	55-85	70-90	60-95	52-88
50-110	79-114	65-110	84-118	75-110	85-120	105-125	95-130	88-123
85-145	114-148	100-145	118-155	110-145	120-155	139-160	130-165	123-157
120-180	148-185	130-180	155-190	145-180	155-186	175-190	165-196	157-190
150-210	185-220	165-210	185-225	180-210	186-225	206-225	196-235	190-225
190-250	220-255	200-250	225-260	215-250	225-260	245-260	235-270	225-255

SMW/AUTOBLOK Ø315			BERG Ø315	
SP350-115	SP350-115ES	KDV	KF	KHFF
CAMPO DI PRESA gripping range (A)	CAMPO DI PRESA gripping range (A)	CAMPO DI PRESA gripping range (A)	CAMPO DI PRESA gripping range (A)	CAMPO DI PRESA gripping range (A)
70-100	100-175	50-115	50-105	50-105
100-140	-	-	-	-
140-175	175-245	85-180	60-170	100-170
175-210	-	-	-	-
210-240	240-320	155-250	125-240	170-240
240-280	-	-	-	-
280-355	310-390	225-320	195-315	240-315

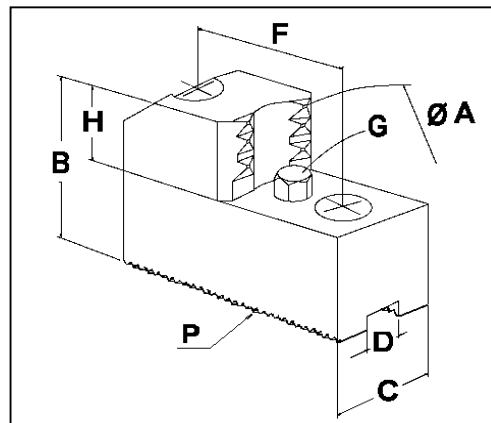
morsetti temprati per prese esterne hardened jaws for external grips

catalogo | catalogue

MATERIALE : ACCIAIO 18NiCrMo5 TEMPRATO
material : hardened steel 18NiCrMo5

DENTATURA / pitch: 1/16"x90°

MANDRINI / chucks
SMW/AUTOBLOK - CMT
BERG - FORKARDT
GAMET - ROHM - SCHUNK

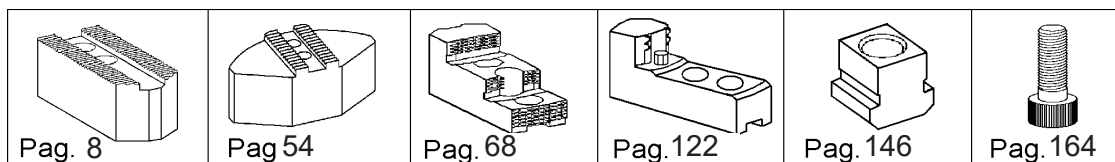


MANDRINI / chucks Ø 250 - 320

CODICE /code	B	C	D	F	G	H	DIN912	P	KG	FORKARDT Ø315		
										KLNC	KG ; KS KT	NH/NHF
										CAMPO DI PRESA gripping range (A)	CAMPO DI PRESA gripping range (A)	CAMPO DI PRESA gripping range (A)
41.31.22/MTE	58	48	21	30	M8	25	M16	1/16"x90°	1,66	50-105	50-105	50-105
41.25.17/MTE	"	"	"	"	"	"	"	"	1,31	-	-	-
41.31.23/MTE	"	"	"	"	"	"	"	"	1,02	65-175	85-175	100-175
41.25.18/MTE	"	"	"	"	"	"	"	"	0,85	-	-	-
41.25.19/MTE	"	"	"	"	"	"	"	"	0,96	135-245	155-245	170-250
41.25.20/MTE	"	"	"	"	"	"	"	"	0,88	-	-	-
41.31.25/MTE	"	"	"	"	"	"	"	"	1,27	205-310	225-310	240-310

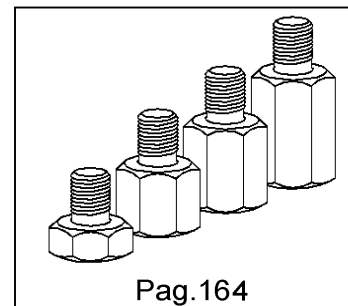
MANDRINI / chucks Ø 400

CODICE /code	B	C	D	F	G	H	DIN912	P	KG	SMW/AUTOBLOK Ø400		
										GHD GHDN	HDN-FC	HYDS
										CAMPO DI PRESA gripping range (A)	CAMPO DI PRESA gripping range (A)	CAMPO DI PRESA gripping range (A)
41.31.22/MTE	58	48	21	30	M8	25	M16	1/16"x90°	1,66	115-195	75-195	125-195
41.31.23/MTE	"	"	"	"	"	"	"	"	1,02	185-260	145-260	195-265
41.25.18/MTE	"	"	"	"	"	"	"	"	0,85	-	-	-
41.25.19/MTE	"	"	"	"	"	"	"	"	0,96	255-320	215-320	265-340
41.31.25/MTE	"	"	"	"	"	"	"	"	1,27	325-400	285-400	340-410



morsetti temprati per prese esterne hardened jaws for external grips

catalogo | catalogue



	FORKARDT Ø315		GAMET Ø315-320		ROHM Ø315		SCHUNK Ø250-315		
	KSH	UVE	MAC315	DELTA320	KFD KFD-HF	KFD-HS KFL	TH250-71 THF250-71	HSG315-108	TH315-86 THF315-86
	CAMPO DI PRESA gripping range (A)	CAMPO DI PRESA gripping range (A)	CAMPO DI PRESA gripping range (A)	CAMPO DI PRESA gripping range (A)	CAMPO DI PRESA gripping range (A)	CAMPO DI PRESA gripping range (A)	CAMPO DI PRESA gripping range (A)	CAMPO DI PRESA gripping range (A)	CAMPO DI PRESA gripping range (A)
	50-110	50-115	80-115	55-115	50-110	50-110	-	60-115	45-110
	-	-	115-146	90-146	-	-	55-85	95-150	-
	105-180	115-185	146-185	120-185	105-180	105-180	85-120	130-185	110-180
	-	-	185-220	160-220	-	-	120-155	165-220	-
	175-250	185-255	220-255	190-255	175-250	175-250	155-188	200-255	180-250
	-	-	255-290	230-290	-	-	188-225	230-290	-
	245-320	255-320	290-320	260-320	245-320	245-320	225-260	270-320	250-320

	FORKARDT Ø400			ROHM
	KS	KSH	NH/NHF	KFL
	CAMPO DI PRESA gripping range (A)	CAMPO DI PRESA gripping range (A)	CAMPO DI PRESA gripping range (A)	CAMPO DI PRESA gripping range (A)
	50-170	70-180	85-175	50-170
	80-240	140-250	155-245	-
	-	-	-	145-280
	150-310	210-320	225-315	-
	220-390	280-390	300-390	245-400

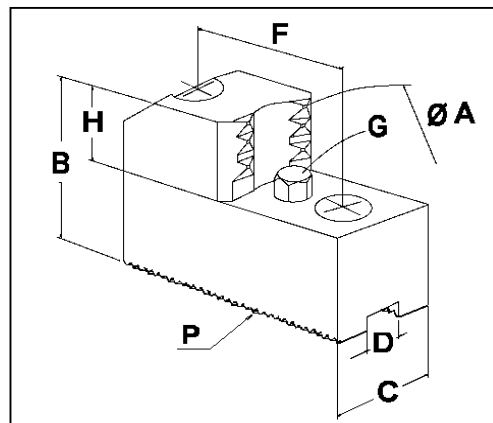
morsetti temprati per prese esterne hardened jaws for external grips

catalogo | catalogue

MATERIALE : ACCIAIO 18NiCrMo5 TEMPRATO
material : hardened steel 18NiCrMo5

DENTATURA / pitch: 3/32"x90°

MANDRINI / chucks
SMW/AUTOBLOK - CMT
BERG - FORKARDT
GAMET - ROHM - SCHUNK



MANDRINI / chucks Ø 400

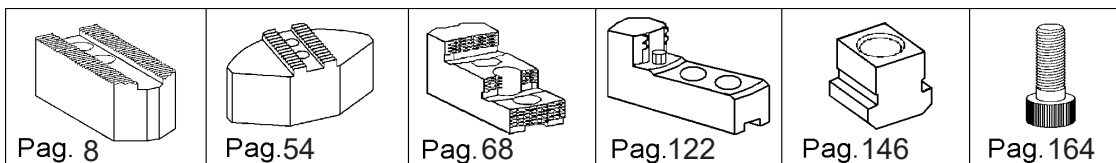
CODICE /code	B	C	D	F	G	H	DIN912	P	KG	SMW/AUTOBLOK Ø400			BERG
										ALD	AND BHD	HFK HFKN-D	KF
41.40.27/MTE	78	58	25,5	38	M8	33	M20	3/32"x90°	3,05	CAMPO DI PRESA gripping range (A)	CAMPO DI PRESA gripping range (A)	CAMPO DI PRESA gripping range (A)	CAMPO DI PRESA gripping range (A)
41.40.28/MTE	"	"	"	"	"	"	"	"	2,05	90-165	85-165	85-165	75-150
41.40.29/MTE	"	"	"	"	"	"	"	"	1,75	175-245	165-240	165-245	120-230
41.40.30/MTE	"	"	"	"	"	"	"	"	2,47	245-325	240-320	245-320	200-310
										325-400	320-390	320-400	280-390

MANDRINI / chucks Ø 500

CODICE /code	B	C	D	F	G	H	DIN912	P	KG	SMW/AUTOBLOK Ø450 - 500			
										BHD450	GHD500	ILD 500 BHD/FC500	HFKN-D500
41.40.27/MTE	78	58	25,5	38	M8	33	M20	3/32"x90°	3,05	CAMPO DI PRESA gripping range (A)	CAMPO DI PRESA gripping range (A)	CAMPO DI PRESA gripping range (A)	CAMPO DI PRESA gripping range (A)
41.40.28/MTE	"	"	"	"	"	"	"	"	2,05	85-210	180-260	130-260	120-260
41.40.29/MTE	"	"	"	"	"	"	"	"	1,75	165-290	260-340	210-340	200-340
41.40.30/MTE	"	"	"	"	"	"	"	"	2,47	240-365	340-420	290-420	280-420
										325-445	420-500	370-500	360-500

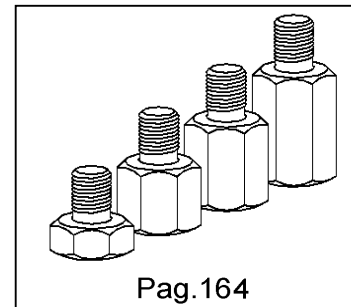
MANDRINI / chucks Ø 610 - 640

CODICE /code	B	C	D	F	G	H	DIN912	P	KG	SMW/AUTOBLOK			
										GHD610	ILD630	GHD640	BHD-FC 630
41.40.27/MTE	78	58	25,5	38	M8	33	M20	3/32"x90°	3,05	CAMPO DI PRESA gripping range (A)	CAMPO DI PRESA gripping range (A)	CAMPO DI PRESA gripping range (A)	CAMPO DI PRESA gripping range (A)
41.40.28/MTE	"	"	"	"	"	"	"	"	2,05	245-360	130-380	280-390	125-380
41.40.29/MTE	"	"	"	"	"	"	"	"	1,75	325-440	210-460	360-470	205-460
41.40.30/MTE	"	"	"	"	"	"	"	"	2,47	400-520	290-540	440-545	280-540
										280-600	370-600	520-620	260-600



morsetti temprati per prese esterne catalogo | catalogue

hardened jaws for external grips



	BERG	FORKARDT Ø400				ROHM Ø400		SCHUNK	
	KHF KHFF	KLNC	KG KT	NH NHF	UVE	KFD	KFD-HF KFD-HS	HSG400-126	THF400-120
	CAMPO DI PRESA gripping range (A)	CAMPO DI PRESA gripping range (A)	CAMPO DI PRESA gripping range (A)	CAMPO DI PRESA gripping range (A)	CAMPO DI PRESA gripping range (A)	CAMPO DI PRESA gripping range (A)	CAMPO DI PRESA gripping range (A)	CAMPO DI PRESA gripping range (A)	CAMPO DI PRESA gripping range (A)
	65-150	65-160	65-160	75-160	85-165	75-160	80-160	85-165	110-190
	150-230	100-240	125-240	150-240	165-245	150-240	160-240	165-245	190-250
	230-310	180-310	205-310	230-310	245-320	230-320	240-320	245-325	265-330
	310-390	260-390	280-390	310-400	320-400	305-390	320-390	325-400	345-400

	BERG	FORKARDT Ø500			ROHM Ø500		SCHUNK	
	KF500 KHFF500	NH/NHF500	KG500	KLNC 500 KS ; KT500	KFD 500 KFD-HS	KFD-HF500	HSG500-165	TH500-160 THF500-160
	CAMPO DI PRESA gripping range (A)	CAMPO DI PRESA gripping range (A)	CAMPO DI PRESA gripping range (A)	CAMPO DI PRESA gripping range (A)	CAMPO DI PRESA gripping range (A)	CAMPO DI PRESA gripping range (A)	CAMPO DI PRESA gripping range (A)	CAMPO DI PRESA gripping range (A)
	80-240	110-240	80-240	80-240	80-240	125-240	120-260	140-260
	160-320	190-320	160-320	130-320	160-320	205-320	195-340	220-340
	240-400	270-400	235-400	205-400	240-400	285-400	275-410	300-410
	320-490	350-490	315-490	275-490	320-500	360-500	355-500	380-500

	BERG Ø630		FORKARDT		ROHM
	KF630	KHFF630	NH/NHF630	KS630	KFD-HF630
	CAMPO DI PRESA gripping range (A)	CAMPO DI PRESA gripping range (A)	CAMPO DI PRESA gripping range (A)	CAMPO DI PRESA gripping range (A)	CAMPO DI PRESA gripping range (A)
	80-365	135-370	135-370	80-370	135-370
	165-445	215-450	215-450	120-450	215-450
	240-520	290-520	290-530	200-530	290-520
	320-560	370-600	370-600	285-600	370-600

morsetti temprati per prese esterne hardened jaws for external grips

catalogo | catalogue

MATERIALE : ACCIAIO 18NiCrMo5 TEMPRATO
material : hardened steel 18NiCrMo5

DENTATURA / pitch: 1,5"x60°

MANDRINI / chucks

SMW/AUTOBLOK (METRICO / metric)

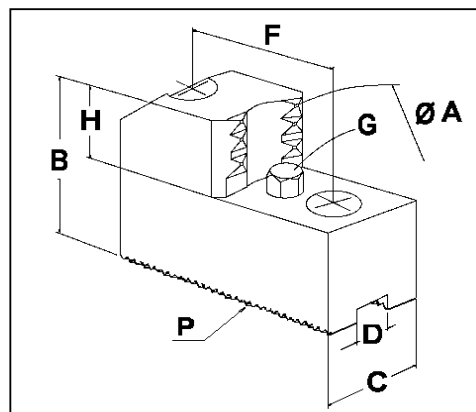
CMT (METRICO / metric)

HOWA - KITAGAWA

AUTOSTRONG

SAMCHULLY

SEOAM



MANDRINI / chucks Ø 165 - 175

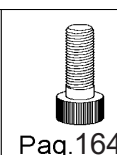
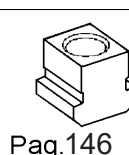
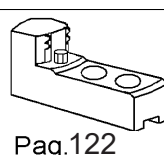
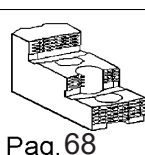
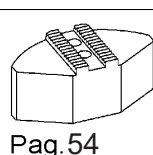
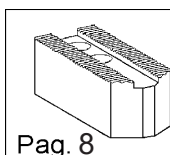
CODICE /code	B	C	D	F	G	H	DIN912	P	KG	SMW/AUTOBLOK - CMT		
										ALM165	BBM175	BHM ; ANM165 GBM ; GFM165
										CAMPO DI PRESA gripping range (A)	CAMPO DI PRESA gripping range (A)	CAMPO DI PRESA gripping range (A)
42.16.01/MTE	48	28	12	20	M6	20	M10	1,5x60°	0,41	40-60	45-60	35-50
42.16.02/MTE	"	"	"	"	"	"	"	"	0,36	50-70	55-70	45-65
42.16.03/MTE	"	"	"	"	"	"	"	"	0,33	70-90	75-90	65-80
42.16.04/MTE	48	38	12	20	M6	20	M10	1,5x60°	0,50	85-105	90-105	80-95
42.16.05/MTE	"	"	"	"	"	"	"	"	0,48	100-120	105-120	95-110

MANDRINI / chucks Ø 210

CODICE /code	B	C	D	F	G	H	DIN912	P	KG	SMW/AUTOBLOK - CMT		
										ALM210	ANM210 BBM210	BHM210 GBM ; GFM210
										CAMPO DI PRESA gripping range (A)	CAMPO DI PRESA gripping range (A)	CAMPO DI PRESA gripping range (A)
42.21.06/MTE	53	38	14	25	M6	25	M12	1,5x60°	0,82	45-75	40-70	30-65
42.21.07/MTE	"	"	"	"	"	"	"	"	0,70	75-105	70-100	60-95
42.21.08/MTE	"	"	"	"	"	"	"	"	0,56	105-135	100-130	90-125
42.21.09/MTE	"	"	"	"	"	"	"	"	0,49	135-170	130-160	120-160

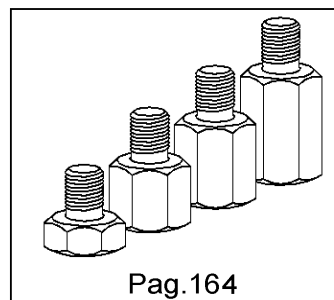
MANDRINI / chucks Ø 210

CODICE /code	B	C	D	F	G	H	DIN912	P	KG	HOWA	
										HO22M8	HO27M8
										CAMPO DI PRESA gripping range (A)	CAMPO DI PRESA gripping range (A)
42.21.30/MTE	53	38	16	25	M6	25	M12	1,5x60°	0,84	40-70	35-65
42.21.31/MTE	"	"	"	"	"	"	"	"	0,72	70-100	55-95
42.21.32/MTE	"	"	"	"	"	"	"	"	0,58	100-130	85-125
42.21.33/MTE	"	"	"	"	"	"	"	"	0,51	130-160	115-155



morsetti temprati per prese esterne hardened jaws for external grips

catalogo | catalogue



	HOWA Ø165			KITAGAWA Ø165-170		
	HO1MA6 HO22M6	HO27M6	HO37M6	B206 HOH206	B160 B06	N06 N160
	CAMPO DI PRESA gripping range (A)	CAMPO DI PRESA gripping range (A)	CAMPO DI PRESA gripping range (A)	CAMPO DI PRESA gripping range (A)	CAMPO DI PRESA gripping range (A)	CAMPO DI PRESA gripping range (A)
	45-55	30-55	33-55	30-55	30-50	40-55
	55-70	35-65	45-65	40-65	40-65	50-70
	70-85	50-80	60-80	60-85	60-80	65-85
	85-100	65-95	75-95	75-95	70-95	80-100
	100-115	80-115	90-115	85-115	85-110	95-115

	HOWA	KITAGAWA Ø210		
	HO23M8	B208 HOH208	B08	N08
	CAMPO DI PRESA gripping range (A)	CAMPO DI PRESA gripping range (A)	CAMPO DI PRESA gripping range (A)	CAMPO DI PRESA gripping range (A)
	35-70	30-60	30-60	40-65
	65-100	60-90	55-90	70-95
	95-130	90-120	85-120	100-125
	125-160	120-150	115-150	130-155

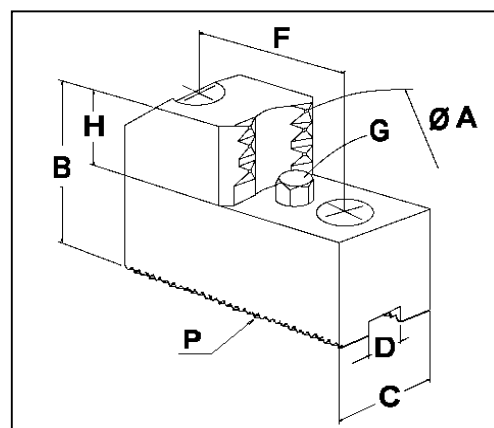
morsetti temprati per prese esterne hardened jaws for external grips

catalogo | catalogue

MATERIALE : ACCIAIO 18NiCrMo5 TEMPRATO
material : hardened steel 18NiCrMo5

DENTATURA / pitch: 1,5"x60°

MANDRINI / chucks
SMW/AUTOBLOK (METRICO / metric)
CMT (METRICO / metric)
HOWA - KITAGAWA
AUTOSTRONG-SAMCHULLY-SEOAM



MANDRINI / chucks Ø 250 - 254

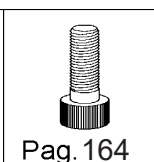
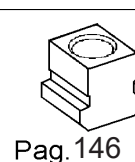
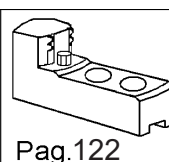
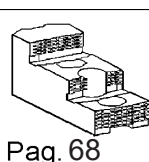
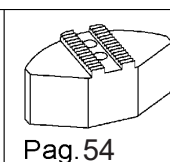
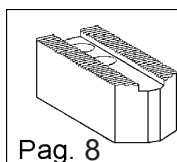
CODICE /code	B	C	D	F	G	H	DIN912	P	KG	SMW/AUTOBLOK - CMT		
										ALM250	ANM ; BHM250 GBM ; GFM250	BBM250
										CAMPO DI PRESA gripping range (A)	CAMPO DI PRESA gripping range (A)	CAMPO DI PRESA gripping range (A)
42.25.10/MTE	53	38	16	30	M6	25	M12	1,5x60°	1,04	55-90	45-85	55-85
42.25.11/MTE	"	"	"	"	"	"	"	"	0,81	90-135	85-130	90-130
42.25.12/MTE	"	"	"	"	"	"	"	"	0,61	135-180	130-175	140-175
42.25.13/MTE	"	"	"	"	"	"	"	"	0,56	180-225	175-215	180-215

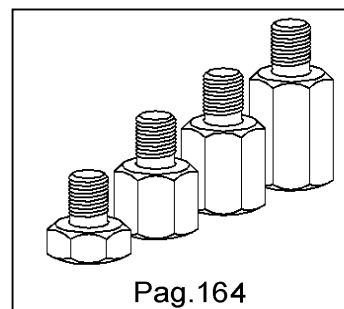
MANDRINI / chucks Ø 254

CODICE /code	B	C	D	F	G	H	DIN912	P	KG	HOWA	
										HO22M10	HO27M10
										CAMPO DI PRESA gripping range (A)	CAMPO DI PRESA gripping range (A)
42.25.35/MTE	53	38	18	30	M6	25	M14	1,5x60°	1,0	40-80	35-80
42.25.36/MTE	"	"	"	"	"	"	"	"	0,77	80-125	75-125
42.25.37/MTE	"	"	"	"	"	"	"	"	0,56	125-170	120-170
42.25.38/MTE	"	"	"	"	"	"	"	"	0,52	170-220	165-220

MANDRINI / chucks Ø 250 - 254

CODICE /code	B	C	D	F	G	H	DIN912	P	KG	KITAGAWA Ø254		
										B210 ; B10	HOH10	N10
										CAMPO DI PRESA gripping range (A)	CAMPO DI PRESA gripping range (A)	CAMPO DI PRESA gripping range (A)
42.25.10/MTE	53	38	16	30	M6	25	M12	1,5x60°	1,04	40-80	40-80	40-85
42.25.11/MTE	"	"	"	"	"	"	"	"	0,81	80-125	80-125	80-125
42.25.12/MTE	"	"	"	"	"	"	"	"	0,61	125-170	125-170	125-175
42.25.13/MTE	"	"	"	"	"	"	"	"	0,56	170-210	170-210	170-220





Pag.164

MANDRINI / chucks Ø 304

CODICE /code	B	C	D	F	G	H	DIN912	P	KG	KITAGAWA Ø304	
										B12 HOH12	N12
										CAMPO DI PRESA gripping range (A)	CAMPO DI PRESA gripping range (A)
42.30.14/MTE	58	48	18	30	M8	25	M14	1,5x60°	1,62	50-110	50-110
42.30.15/MTE	"	"	"	"	"	"	"	"	1,15	100-170	100-170
42.30.16/MTE	"	"	"	"	"	"	"	"	1,02	165-235	165-235
42.30.17/MTE	"	"	"	"	"	"	"	"	1,36	230-300	230-300

MANDRINI / chucks Ø 304 - 315

CODICE /code	B	C	D	F	G	H	DIN912	P	KG	SMW/AUTOBLOK - CMT			KITAGAWA
										ALM315	ANM ; BHM315 GBM ; GFM315	BBM315	B212
										CAMPO DI PRESA gripping range (A)	CAMPO DI PRESA gripping range (A)	CAMPO DI PRESA gripping range (A)	CAMPO DI PRESA gripping range (A)
42.30.24/MTE	58	48	21	30	M8	25	M16	1,5x60°	1,63	60-130	60-120	90-125	50-110
42.30.25/MTE	"	"	"	"	"	"	"	"	1,17	100-190	115-180	140-180	100-165
42.30.26/MTE	"	"	"	"	"	"	"	"	1,0	165-250	180-240	205-240	165-235
42.30.27/MTE	"	"	"	"	"	"	"	"	1,36	230-320	240-310	270-310	230-300

MANDRINI / chucks Ø 380

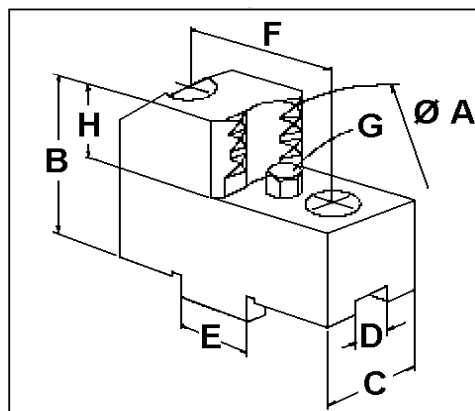
CODICE /code	B	C	D	F	G	H	DIN912	P	KG	KITAGAWA Ø381		
										B15 B380	HOH15 HOH380	HOH15K
										CAMPO DI PRESA gripping range (A)	CAMPO DI PRESA gripping range (A)	CAMPO DI PRESA gripping range (A)
42.38.18/MTE	78	58	22	43	M8	33	M20	1,5x60°	3,27	50-100	50-100	50-100
42.38.19/MTE	"	"	"	"	"	"	"	"	2,8	100-160	100-160	100-160
42.38.20/MTE	"	"	"	"	"	"	"	"	2,0	160-220	160-220	160-220
42.38.21/MTE	"	"	"	"	"	"	"	"	1,84	220-280	220-280	220-280
42.38.22/MTE	"	"	"	"	"	"	"	"	2,1	280-340	280-340	280-340
42.38.23/MTE	"	"	"	"	"	"	"	"	2,72	340-400	340-400	340-400

morsetti temprati per prese esterne hardened jaws for external grips

catalogo | catalogue

MATERIALE : ACCIAIO 18NiCrMo5 TEMPRATO
material : hardened steel 18NiCrMo5

INCASTRO A CROCE / tongue & groove



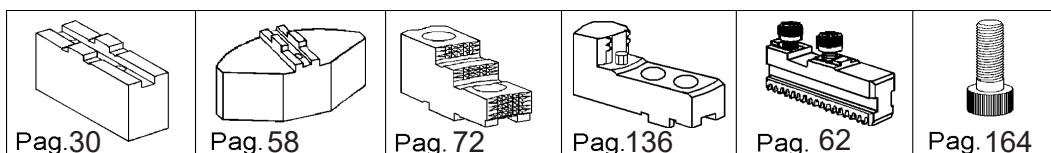
MANDRINI / chucks

SMW/AUTOBLOK
BERG - FORKARDT
ROHM - SCHUNK
SAMCHULLY

MANDRINI / chucks Ø 160 - 185

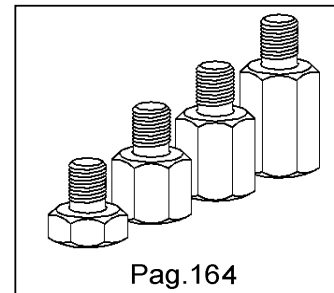
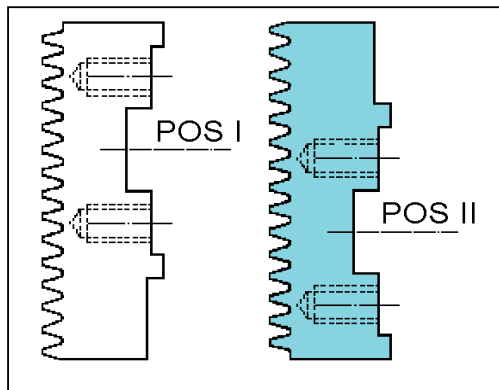
SMW/AUTOBLOK				BERG			
KNCS175 KNCS-A175		KNCS-N 170		KHNC160		KHNC185	
CAMPO DI PRESA gripping range (A)		CAMPO DI PRESA gripping range (A)		CAMPO DI PRESA gripping range (A)		CAMPO DI PRESA gripping range (A)	

CODICE /code	B	C	D	E	F	G	H	DIN912	KG	SMW/AUTOBLOK		BERG			
										POS I	POS II	POS I	POS II		
48.16.01/MTEC	40	26	8	18	32	M6	20	M8	1,2			31-35 40-45 50-55	36-41 46-51 56-61		
48.16.02/MTEC	40	26	8	18	32	M6	20	M8	1,2			35-40 45-50 55-60	41-46 51-56 61-66		
48.16.09/MTEC	40	30	8	18	32	M6	20	M8	1,1	43-47 52-56 61-66	49-53 58-62 67-72				
48.16.10/MTEC	40	30	8	18	32	M6	20	M8	1,1	39-43 48-52 57-61 67-71	45-49 54-58 63-67 73-77				
48.16.03/MTEC	40	30	8	18	32	M6	20	M8	1,1	82-86 91-95 101-105 110-114	64-68 72-77 83-87 92-96	88-92 97-101 107-111 116-120	70-74 78-83 89-93 98-102	60-65 70-75 80-85	66-71 76-81 86-91
48.16.04/MTEC	40	30	8	18	32	M6	20	M8	1,1	87-91 95-100 105-110 115-119	69-73 78-82 88-92 97-101	93-97 102-106 112-116 121-125	75-79 84-88 94-98 103-107		
48.16.05/MTEC	40	30	8	18	32	M6	20	M8	1,1	74-78 83-87 93-97 102-106		79-83 89-93 98-102 108-112			
48.16.06/MTEC	40	30	8	18	32	M6	20	M8	1,1	79-83 88-92 98-102 107-111		84-88 94-98 103-107 113-117			
48.16.07/MTEC	40	30	8	18	32	M6	20	M8	1,3		132-136 141-145 150-154		120-124 130-134 139-143 149-153		
48.16.08/MTEC	40	30	8	18	32	M6	20	M8	1,1		137-141 146-150 155-159		125-129 135-139 144-148 154-158		



morsetti temprati per prese esterne hardened jaws for external grips

catalogo | catalogue



Pag.164

FORKARDT				ROHM						SCHUNK							
F160 F+160		KTNC160		FNC175 KTNCV175		DURO160 DURO NC160		DURO NCE160		DURO NC175		ROTA-G160		ROTA-S160		THW165R	
CAMPO DI PRESA gripping range (A)		CAMPO DI PRESA gripping range (A)		CAMPO DI PRESA gripping range (A)		CAMPO DI PRESA gripping range (A)		CAMPO DI PRESA gripping range (A)		CAMPO DI PRESA gripping range (A)		CAMPO DI PRESA gripping range (A)		CAMPO DI PRESA gripping range (A)		CAMPO DI PRESA gripping range (A)	
POS I	POS II	POS I	POS II	POS I	POS II	POS I	POS II	POS I	POS II	POS I	POS II	POS I	POS II	POS I	POS II	POS I	POS II
32-67		39-44 49-54		36-41 46-51 56-61		32-37 42-47 52-57 62-67		38-43 48-53 58-63		40-55 50-55 60-65		25-65		32-67			
		34-39 44-49 54-59 64-69		41-46 51-56 61-66 71-76		37-42 47-52 57-62		43-48 53-58 63-68		45-50 55-60 65-70							
																	33-38 42-47 52-57
																	38-43 48-52 57-62
	64-94		61,5-66,5 71-76 81-86		69-74 79-84 89-94 99-104		64,5-69,5 74-79 84-89		62-67 72-77 82-87		70-76 80-86 90-96	81-133	63-116	92-126	64-94		54-59 63-68 73-78 82-87
			66,5-71 76-81 86-91		74-79 84-89 94-99 104-109		69,5-74 79-84 89-94		67-72 77-82 87-92		75-81 85-91 95-101						68-73 78-83 87-92
92-127		89-94 99-104 109-114 119-124		96-101 106-111 116-121 126-131		92-97 102-107 112-117 122-127		88-93 98-103 108-113 118-123		100-105 110-115 120-125							63-68 73-78 82-87 92-97
		94-99 104-109 114-119		101-106 111-116 121-126 131-136		97-102 107-112 117-122		93-98 103-108 113-118		105-110 115-120 125-130							67-74 78-83 87-92 97-102
	124-154		121-126 131-136 141-146		129-134 139-144 149-154 159-164		124-129 134-139 144-149		122-127 132-137 142-147		130-136 140-146 150-156	131-185	113-167	142-177	125-151		104-109 114-119 123-128 133-138
			126-131 136-141 146-151		134-169 144-149 154-159 164-169		129-134 139-144 149-154		127-132 137-142 147-152		135-141 145-151 155-161						110-115 119-124 128-133 138-143

morsetti temprati per prese esterne hardened jaws for external grips

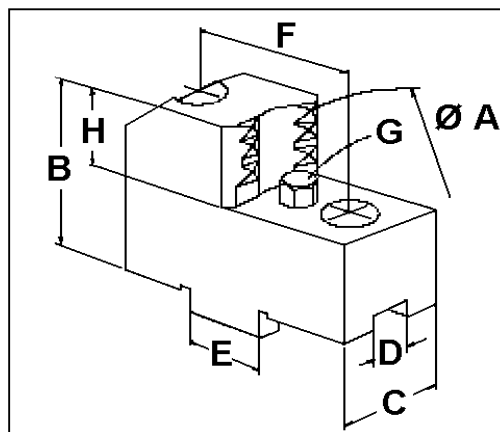
catalogo | catalogue

MATERIALE : ACCIAIO 18NiCrMo5 TEMPRATO
material : hardened steel 18NiCrMo5

INCASTRO A CROCE / tongue & groove

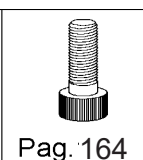
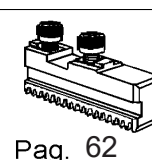
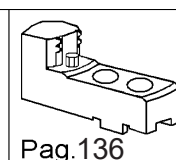
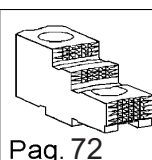
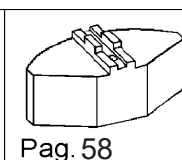
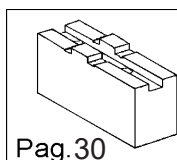
MANDRINI / chucks

SMW/AUTOBLOK
BERG - FORKARDT
KITAGAWA
ROHM - SCHUNK
SAMCHULLY



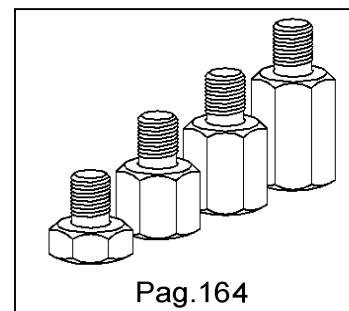
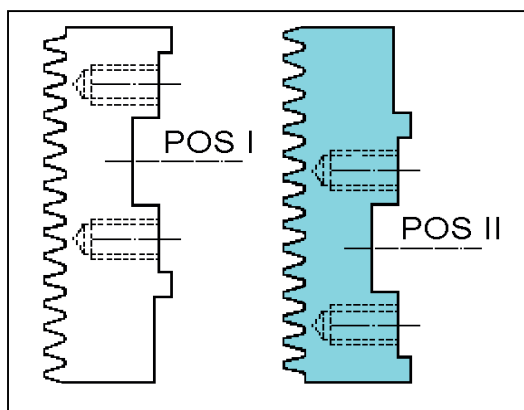
MANDRINI / chucks Ø 200 - 210

		SMW/AUTOBLOK		BERG											
		KNCS200 ; KNSP KNCS-A200	KNCS-N 210	KHNC200											
		CAMPO DI PRESA gripping range (A)		CAMPO DI PRESA gripping range (A)											
CODICE /code	B	C	D	E	F	G	H	DIN912	KG	POS I	POS II	POS I	POS II	POS I	POS II
48.21.11/MTEC	45	26	10	20	40	M6	25	M8	1,4	38-43 48-53 58-63		52-58 62-67 71-76 81-86 90-95		40-45 50-55 60-65	
48.21.12/MTEC	45	26	10	20	40	M6	25	M8	1,4	33-38 43-48 53-58 63-68		39-44 48-53 58-63 67-72 76-82		35-40 45-50 55-60 65-70	
48.21.13/MTEC	45	26	10	20	40	M6	25	M8	1,3	108-113 118-123 128-133 138-143	72-77 82-87 92-97 102-107	123-129 133-138 142-147 152-157 161-166 170-176	95-100 104-109 113-119 123-128 132-137	110-115 120-125 130-135 140-145 150-155	69-74 79-84 89-94 99-104 109-114
48.21.14/MTEC	45	26	10	20	40	M6	25	M8	1,3	113-118 123-128 133-138 143-148	77-82 87-92 97-102 102-112	128-133 138-143 147-152 156-162 166-171 175-180	81-86 90-96 100-105 109-114 119-124	115-120 125-130 135-140 145-150 155-160	74-79 84-89 94-99 104-109 114-119
48.21.15/MTEC	45	26	10	20	40	M6	25	M8	1,0	138-143 148-153 158-163 168-173		153-158 163-168 172-177 181-187 191-196 200-205		160-165 170-175 180-185	
48.21.16/MTEC	45	26	10	20	40	M6	25	M8	1,2	143-148 153-158 163-168 173-178		140-145 149-154 158-164 168-173 177-182 187-192		165-170 175-180 185-190	



morsetti temprati per prese esterne hardened jaws for external grips

catalogo | catalogue



Pag.164

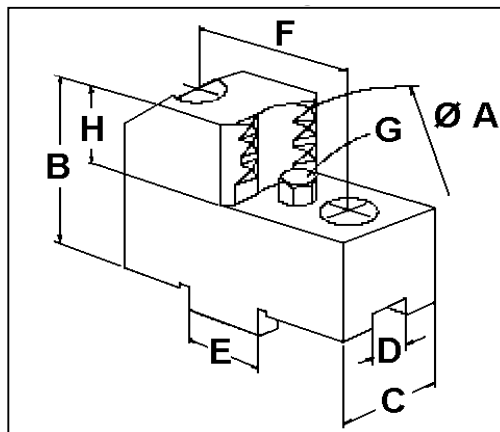
FORKARDT				ROHM				SCHUNK					
F200 F+200		FNC200 ; KTNC KTNCV200		DURO200 DURO NCE200		DURO NC200		ROTA-G200		ROTA-S200		THW210R	
CAMPO DI PRESA gripping range (A)		CAMPO DI PRESA gripping range (A)		CAMPO DI PRESA gripping range (A)		CAMPO DI PRESA gripping range (A)		CAMPO DI PRESA gripping range (A)		CAMPO DI PRESA gripping range (A)		CAMPO DI PRESA gripping range (A)	
POS I	POS II	POS I	POS II	POS I	POS II	POS I	POS II	POS I	POS II	POS I	POS II	POS I	POS II
35-70		35-40 45-50 55-60 65-70		39-44 49-54 59-64		43-48 53-58 63-68		30-75		35-80		33-39 43-49 52-58 62-68 71-77	
		40-45 50-55 60-65 70-75		34-39 44-49 54-59 64-69		38-43 48-53 58-63 68-73						38-44 47-53 57-63 66-72 76-82	
115-160	69-114	115-120 125-130 135-140 145-150 155-160	69-74 79-84 89-94 99-104 109-114	109-114 119-124 129-134 139-144 149-154	69-74 79-84 89-94 99-104 109-114	113-118 123-128 133-138 143-148 153-158	73-78 83-88 93-98 103-108 113-118	111-183	73-145	106-171	69-123	104-110 113-119 123-129 132-138 142-148 151-157	75-81 85-91 94-100 104-110 113-119
		120-125 130-135 140-145 150-155 160-165	74-79 84-89 94-99 104-109 114-119	114-119 124-129 134-139 144-149 154-159	74-79 84-89 94-99 104-109 114-119	118-123 128-133 138-143 148-153 158-163	78-83 88-93 98-103 108-113 118-123					109-115 118-124 128-134 137-143 146-152 156-162	80-86 90-96 99-105 108-114 118-124
156-196		156-161 166-171 176-181 185-191		149-154 159-164 169-174 179-184		153-158 163-168 173-178 183-188		141-213		146-201		134-140 144-150 153-159 162-168 172-178 181-187	
		161-166 171-176 181-186 191-196		154-159 164-169 174-179 184-189		158-163 168-173 178-183 188-193						139-145 148-154 158-164 167-173 176-182 186-192	

morsetti temprati per prese esterne hardened jaws for external grips

catalogo | catalogue

MATERIALE : ACCIAIO 18NiCrMo5 TEMPRATO
material : hardened steel 18NiCrMo5

INCASTRO A CROCE / tongue & groove

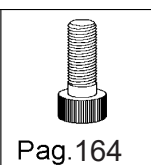
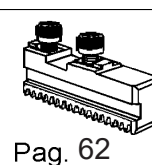
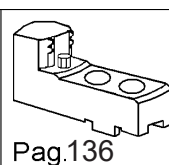
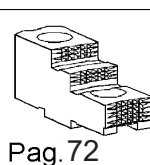
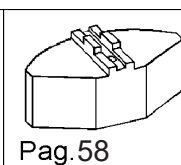
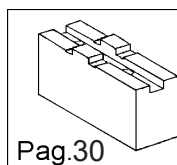


MANDRINI / chucks

SMW/AUTOBLOK
BERG - FORKARDT
ROHM - SCHUNK
SAMCHULLY

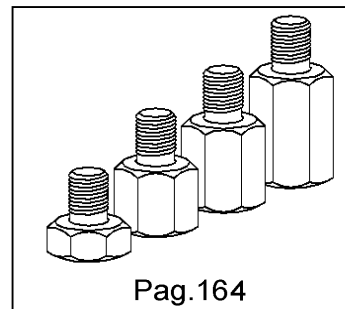
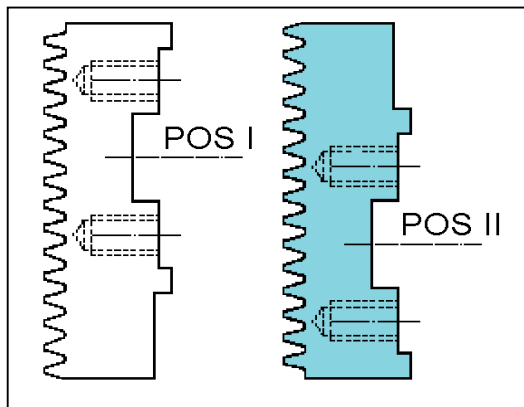
MANDRINI / chucks Ø 250 - 280

										SMW/AUTOBLOK		BERG			
										KNCS-A250 ; HG250 KNCS250-260		KNCS-N 260		KHNC250	
										CAMPO DI PRESA gripping range (A)		CAMPO DI PRESA gripping range (A)		CAMPO DI PRESA gripping range (A)	
CODICE /code	B	C	D	E	F	G	H	DIN912	KG	POS I	POS II	POS I	POS II	POS I	POS II
48.25.63/MTEC	50	30	12	20	40	M6	25	M12	1,5		42-48 53-59 64-70 75-81		43-48 54-59 65-70 76-81 87-92 98-103		43-49 55-61 67-73 79-85
48.25.64/MTEC	50	30	12	20	40	M6	25	M12	1,5		48-52 59-65 70-76 81-87		49-54 60-65 71-76 82-87 93-98 104-109		49-55 61-67 73-79 85-91
48.25.65/MTEC	50	40	12	20	40	M6	25	M12	2,0	142-148 153-159 164-170 175-181 186-192	83-89 94-100 105-111 116-122 127-133	147-153 158-164 169-175 180-186 191-197 202-208 213-219	84-89 95-100 106-111 117-122 128-133 139-144 150-155	152-158 164-170 176-182 188-194 200-206	83-89 95-101 107-113 119-125 131-137 143-149
48.25.66/MTEC	50	40	12	20	40	M6	25	M12	1,9	148-154 159-165 170-176 181-187 192-198	89-95 100-106 111-117 122-128 133-139	153-159 164-170 175-181 186-192 197-203 208-214 219-225	90-95 101-106 112-117 123-128 134-139 145-150 156-161	158-164 170-176 182-188 194-200 206-212	89-95 101-107 113-119 125-131 137-143 149-155
48.25.67/MTEC	50	40	12	20	40	M6	25	M12	2,2	189-195 200-206 211-217 222-228	126-132 137-143 148-154 159-165	179-185 190-196 201-207 212-218 223-229 234-240 245-251		212-218 224-230 236-242	
48.25.68/MTEC	50	40	12	20	40	M6	25	M12	2,2	195-201 206-212 217-223 228-234	132-138 143-149 154-160 165-171	185-191 196-202 207-213 218-224 229-235 240-246 251-257		218-224 230-236 242-248	



morsetti temprati per prese esterne hardened jaws for external grips

catalogo | catalogue



Pag.164

FORKARDT				ROHM		SCHUNK					
F250 F+250		KTNC250-280 FNC250 ; KTNCV250		DURO250 ; DURONCE250		ROTA-G250		ROTA-S250		THW250R	
CAMPO DI PRESA gripping range (A)		CAMPO DI PRESA gripping range (A)		CAMPO DI PRESA gripping range (A)		CAMPO DI PRESA gripping range (A)		CAMPO DI PRESA gripping range (A)		CAMPO DI PRESA gripping range (A)	
POS I	POS II	POS I	POS II	POS I	POS II	POS I	POS II	POS I	POS II	POS I	POS II
	40-88		40-46 52-58 64-70 76-82		40-46 52-58 64-70 76-82		36-96		40-82		36-42 47-53 58-64 69-75 80-86 91-97
			46-52 58-94 70-76 82-88		46-52 58-64 70-76 76-82						42-48 53-59 64-70 75-81 86-92 97-103
152-212	80-152	152-158 164-170 176-182 188-194 200-206	80-86 92-98 104-110 116-122 128-134 140-146	152-158 164-170 176-182 188-194 200-206	80-86 92-98 104-110 116-122 128-134 140-146	140-223	77-170	145-224	80-146	141-147 152-158 163-169 174-180 185-191 196-202 207-213	88-94 99-105 110-116 121-127 132-138 143-149
		158-164 170-176 182-188 194-200 206-212	86-92 98-104 110-116 122-128 134-140 146-152	158-164 170-176 182-188 194-200 206-212	86-92 98-104 110-116 122-128 134-140 146-152					147-153 158-164 169-175 180-186 191-197 202-208 213-219	94-100 105-111 116-122 127-133 138-144 149-155
188-248		188-194 200-206 212-218 224-230 236-242		188-194 200-206 212-218 224-230 236-242		172-266		178-254		173-179 184-190 195-201 206-212 217-223 228-234 239-245	120-126 131-137 142-148 153-159 164-170 175-181
		194-200 206-212 218-224 230-236 242-248		194-200 206-212 218-224 230-236 242-248						179-185 190-196 201-207 212-218 223-229 234-240 245-251	126-132 137-143 148-154 159-165 170-176 181-187

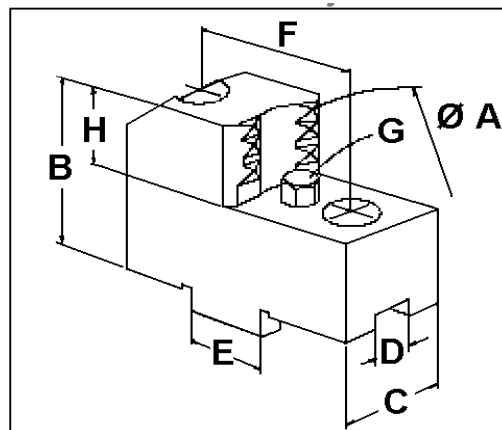
morsetti temprati per prese esterne hardened jaws for external grips

catalogo | catalogue

MATERIALE : ACCIAIO 18NiCrMo5 TEMPRATO
material : hardened steel 18NiCrMo5

INCASTRO A CROCE / tongue & groove

MANDRINI / chucks
SMW/AUTOBLOK
BERG - FORKARDT
ROHM - SCHUNK
SAMCHULLY

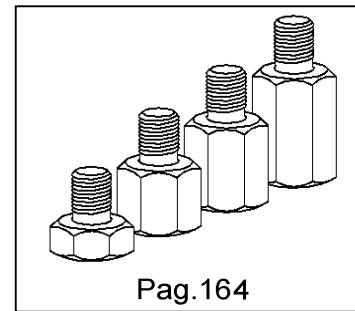
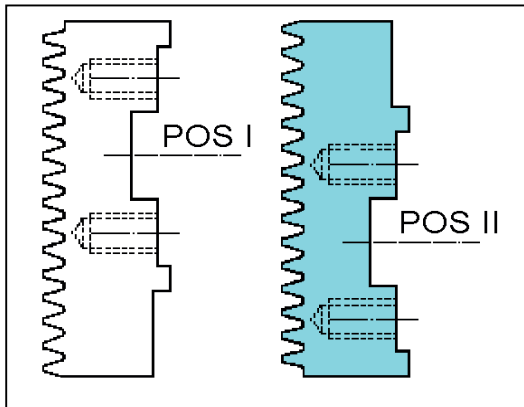


MANDRINI / chucks Ø 315

CODICE /code	B	C	D	E	F	G	H	DIN912	KG	SMW/AUTOBLOK		BERG			
										KNCS-A315 KNCS315 ; HG 315		KNCS-N 315		KHNC315	
										CAMPO DI PRESA gripping range (A)		CAMPO DI PRESA gripping range (A)		CAMPO DI PRESA gripping range (A)	
POS I	POS II	POS I	POS II	POS I	POS II										
48.25.63/MTEC	50	30	12	20	40	M6	25	M12	1,5	42-48 53-59 64-70 75-81 86-92	52-58 63-69 74-80 85-91 96-102 107-113 118-124	43-49 55-61 67-73 79-85 91-97			
48.25.64/MTEC	50	30	12	20	40	M6	25	M12	1,5	48-52 59-65 70-76 81-87 92-98	58-63 69-75 80-86 91-97 102-108 113-119 124-130	49-55 61-67 73-79 85-91 97-103			
48.25.65/MTEC	50	40	12	20	40	M6	25	M12	2,0	83-89 94-100 105-111 116-122 127-133	181-187 192-198 203-209 214-220 224-231 236-242 247-253 258-264	93-99 104-110 115-121 126-132 137-143 148-154 159-165 170-176	83-89 95-101 107-113 119-125 131-137 143-149		
48.25.66/MTEC	50	40	12	20	40	M6	25	M12	1,9	89-95 100-106 111-117 122-128 133-139	187-193 198-205 209-215 220-226 231-37 242-248 253-259 264-270	99-105 110-116 121-127 132-138 143-149 154-160 165-171 176-182	89-95 101-107 113-119 125-131 137-143 149-155		
48.25.67/MTEC	50	40	12	20	40	M6	25	M12	2,2	189-195 200-206 211-217 222-228 233-239 244-250 255-261 266-272	137-143 148-154 159-165 170-176 181-187 245-251 256-262 267-274 278-284	201-207 212-218 223-229 234-241 245-251 256-262 267-274 278-284	212-218 224-230 236-242 248-254 260-266 272-278 284-290	152-158 164-170 176-182 188-194 200-206 212-218	
48.25.68/MTEC	50	40	12	20	40	M6	25	M12	2,2	195-201 206-212 217-223 228-234 239-245 250-256 261-267 272-278	143-149 154-160 165-171 176-182 187-193 241-247 252-258 263-269 274-280 285-291 296-302	219-225 230-238 241-247 252-258 263-269 274-280 285-291 296-302	218-224 230-236 242-248 254-260 266-272 278-284 290-296	158-164 170-176 182-188 194-200 206-212 218-224	

morsetti temprati per prese esterne hardened jaws for external grips

catalogo | catalogue



Pag.164

FORKARDT		ROHM		SCHUNK			
KTNC315 FNC315 ; KTNCV315		DURO NCE315		ROTA-G315		THW315R	
CAMPO DI PRESA gripping range (A)		CAMPO DI PRESA gripping range (A)		CAMPO DI PRESA gripping range (A)		CAMPO DI PRESA gripping range (A)	
POS I	POS II	POS I	POS II	POS I	POS II	POS I	POS II
	40-46 52-58 64-70 76-82 88-94		47-53 59-65 71-77 83-89 95-101		36-133		41-47 52-59 63-69 74-80 85-91 96-102 107-113
	46-52 58-64 70-76 82-88 94-100		53-59 65-71 77-83 89-95 101-107				46-52 57-63 68-74 79-85 90-96 101-107 112-118
	80-86 92-98 104-110 116-122 128-134 140-146		99-105 111-117 123-129 135-141	165-275	88-198		82-88 93-99 104-110 115-121 126-132 137-143 148-154 159-165
	86-92 98-104 110-116 122-128 134-140 146-152		105-111 117-123 129-135 141-147				87-93 98-104 109-115 120-126 131-137 142-148 152-159 164-170
212-218 224-230 236-242 248-254 260-266 272-278 284-290	148-154 160-166 172-178 184-190 196-202 208-214	214-220 226-232 238-244 250-256 262-268 274-280 286-292	143-149 155-161 167-173 179-185 191-197 203-209	208-318		202-208 213-219 224-230 235-241 246-252 257-263 268-274 279-285	114-120 125-131 136-142 147-153 158-164 169-175 180-186 191-197
218-224 230-236 242-248 254-260 266-272 278-284 290-296	154-160 166-172 178-184 190-196 202-208 214-220	220-226 232-238 244-250 256-262 268-274 280-286 292-298	149-155 161-167 173-179 185-191 197-203 209-215			207-213 218-224 229-235 240-246 251-257 262-267 273-279 284-290	120-126 131-137 142-148 153-159 164-170 175-181 186-192 197-203

morsetti temprati per prese esterne hardened jaws for external grips

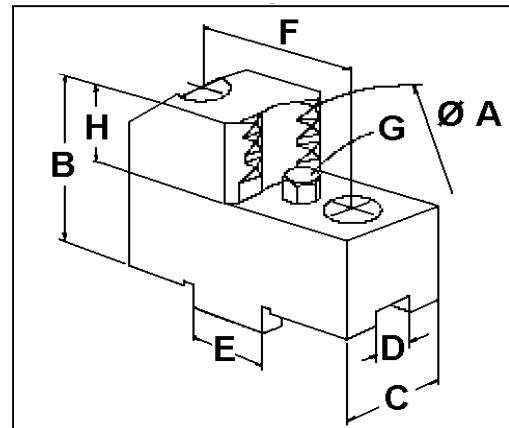
catalogo | catalogue

MATERIALE : ACCIAIO 18NiCrMo5 TEMPRATO
material : hardened steel 18NiCrMo5

INCASTRO A CROCE / tongue & groove

MANDRINI / chucks

SMW/AUTOBLOK
BERG - FORKARDT
ROHM - SCHUNK
SAMCHULLY

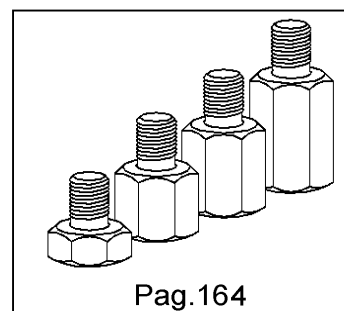
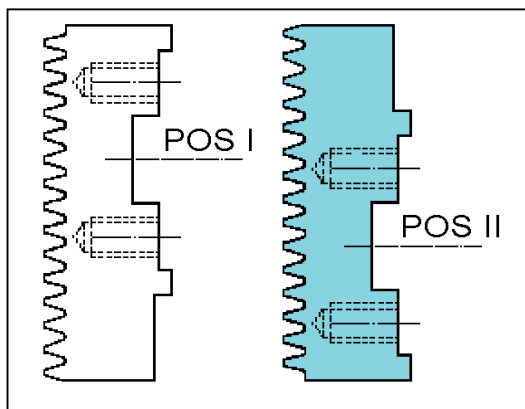


MANDRINI / chucks Ø 315 - 400

										SMW/AUTOBLOK		BERG			
										KNCS400 KNCS-A400		KNCS-N 400		KHNC400	
										CAMPO DI PRESA gripping range (A)		CAMPO DI PRESA gripping range (A)		CAMPO DI PRESA gripping range (A)	
CODICE /code	B	C	D	E	F	G	H	DIN912	KG	POS I	POS II	POS I	POS II	POS I	POS II
48.31.21/MTEC	53	40	12	26	54	M8	25	M12	2,8		60-68 71-79 82-90 93-101 104-112 115-123 126-134		75-82 86-93 97-104 108-115 119-126 130-137 141-148 152-159 163-170 174-181		56-66 70-80 84-94 98-108 112-122 126-136 140-150
48.31.22/MTEC	53	40	12	26	54	M8	25	M12	2,8		68-76 79-87 90-98 101-109 112-120 123-131 134-142		83-90 94-101 105-112 116-123 127-134 138-145 149-156 160-167 171-178 182-189		64-70 78-88 92-102 106-116 120-130 134-144 148-158
48.31.23/MTEC	53	40	12	26	54	M8	25	M12	2,4	214-222 225-233 236-244 247-255 258-266 269-277 280-288 291-298 302-310 313-321 324-332	147-155 158-166 169-177 180-188 191-199 202-210 213-221 224-232	231-238 242-249 253-260 264-271 275-282 286-293 297-304 308-315 319-326 330-337 341-348 352-359	125-133 136-144 147-155 158-166 169-177 180-188 191-199 202-210 213-221 224-232 235-242 246-254	230-240 244-254 258-268 272-282 286-296 300-310 314-324 328-338 342-352 356-366	140-150 154-164 168-178 182-192 196-206 210-220 224-234
48.31.24/MTEC	53	40	12	26	54	M8	25	M12	2,5	222-230 233-241 244-252 255-263 266-274 277-285 288-296 299-307 310-318 321-329 332-340	155-163 166-174 177-185 188-196 199-207 210-218 221-229 232-240 327-334 338-345 349-356 360-367	239-246 250-257 261-268 272-279 283-290 294-301 305-312 316-323 327-334 338-345 349-356 360-367	133-141 144-152 155-163 166-174 177-185 188-196 199-207 210-218 221-229 232-240 243-251 254-262	238-248 252-262 266-276 280-290 294-304 308-318 322-332 336-346 350-360 364-374	148-158 162-172 178-186 190-200 204-214 218-228 232-242

morsetti temprati per prese esterne hardened jaws for external grips

catalogo | catalogue



Pag.164

FORKARDT						ROHM				SCHUNK						
F315 F+315		KTNC360		KTNC400 FNC400 ; KTNCV400		DURO315 DURO NC315		DURO NCE400		ROTA-G400		ROTA-S315		THW400R		
CAMPO DI PRESA gripping range (A)		CAMPO DI PRESA gripping range (A)		CAMPO DI PRESA gripping range (A)		CAMPO DI PRESA gripping range (A)		CAMPO DI PRESA gripping range (A)		CAMPO DI PRESA gripping range (A)		CAMPO DI PRESA gripping range (A)		CAMPO DI PRESA gripping range (A)		
POS I	POS II	POS I	POS II	POS I	POS II	POS I	POS II	POS I	POS II	POS I	POS II	POS I	POS II	POS I	POS II	
104-150	52-112	104-114 118-128 132-142	52-62 66-76 80-90 94-104		58-70 72-82 86-96 100-110 114-124 128-138 142-152	112-122 126-136 140-150	59-69 73-83 87-97 101-111		67-75 81-89 95-103 109-117 123-131 137-145 151-159		50-178	86-150 52-116			49-55 60-66 71-77 82-88 93-99 104-110 115-121 126-132 137-143 148-154	
		112-122 126-136 140-150	60-70 74-84 88-98 102-112		66-78 80-90 94-104 108-118 122-132 136-146 150-160	120-130 134-144 148-158	67-77 81-91 95-105 109-119		75-83 89-97 103-111 117-125 131-139 145-153 159-167						57-63 68-74 79-85 90-96 101-107 112-118 123-128 134-140 145-151 156-162	
204-292	138-212	204-214 218-228 232-242 246-256 260-270 274-284	138-148 152-162 166-176 180-190 194-204	210-220 224-234 238-248 252-262 266-276 280-290 294-304 308-318 322-332 336-346 350-360	144-154 158-168 172-182 186-196 200-210 214-224 228-238	212-222 226-236 240-250 254-264 268-278	145-155 159-169 173-183 187-197 201-211	256-264 270-278 284-292 298-306 312-320 326-334 340-348 354-362	167-175 181-189 195-203 209-217 223-231 237-245 251-259			186-292 138-216			205-211 216-222 227-233 238-244 249-255 260-266 271-277 282-288 293-299 304-310 315-321 326-332	127-133 138-144 149-155 160-166 171-177 182-188 193-199 204-210 215-221 226-232 237-243 248-254
		212-222 226-236 240-250 254-264 268-278 282-292	146-156 160-170 174-184 188-198 202-212	218-228 232-242 246-256 260-270 274-284 288-298 302-312 316-326 330-340 344-354 358-368	152-162 166-176 180-190 194-204 208-218 222-232 236-246	220-230 234-244 248-258 262-272 276-286	153-163 167-177 181-191 195-205 209-219	264-272 278-286 292-300 306-314 320-328 334-342 348-356 362-370	175-183 189-197 203-211 217-225 231-239 245-253 259-267	236-364 158-286				213-219 224-230 235-241 246-252 257-263 268-274 279-285 290-296 301-307 312-318 323-329 334-340	135-141 146-152 157-163 168-174 179-185 190-196 201-207 212-218 223-229 234-240 245-251 256-262	

morsetti temprati per prese esterne hardened jaws for external grips

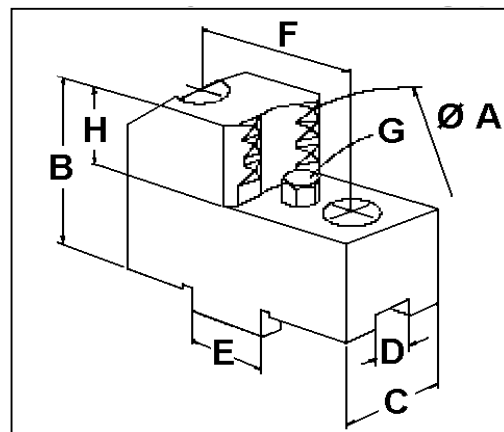
catalogo | catalogue

MATERIALE : ACCIAIO 18NiCrMo5 TEMPRATO
material : hardened steel 18NiCrMo5

INCASTRO A CROCE / tongue & groove

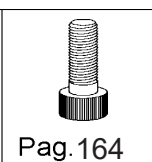
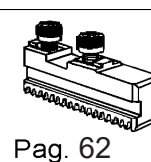
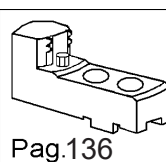
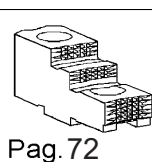
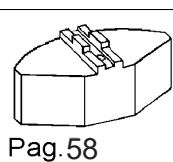
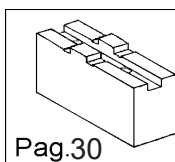
MANDRINI / chucks

SMW/AUTOBLOK
FORKARDT
ROHM - SCHUNK
SAMCHULLY



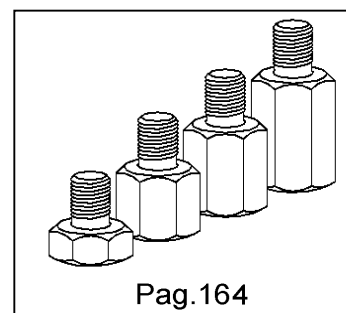
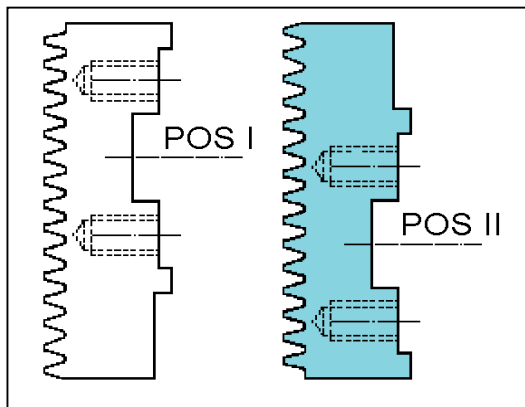
MANDRINI / chucks Ø 400 - 500

										SMW/AUTOBLOK		FORKARDT					
										KNCS500	KNCS-N 500	F400 F+400	F500L F+500L				
										CAMPO DI PRESA gripping range (A)	CAMPO DI PRESA gripping range (A)	CAMPO DI PRESA gripping range (A)	CAMPO DI PRESA gripping range (A)				
CODICE /code	B	C	D	E	F	G	H	DIN912	KG	POS I	POS II	POS I	POS II	POS I	POS II	POS I	POS II
48.40.09/MTEC	78	58	18	30	60	M8	35	M16	5,8		72-82 86-96 100-110 114-124 128-138 142-152		90-102 104-116 118-130 132-144 146-158 160-172 174-186 188-200		73-161		80-154
48.40.10/MTEC	71	50	18	30	60	M8	33	M16	5,6		82-92 96-106 110-120 124-134 138-148 152-162		100-112 114-126 128-140 142-154 156-168 170-182 184-196 198-210				
48.40.11/MTEC	71	50	18	30	60	M8	33	M16	5,1	253-263 267-277 281-291 295-305 309-319 323-333 337-347 351-361 365-375 379-389	148-158 162-172 176-186 190-200 204-214 218-228 232-242 246-256	279-291 293-305 307-319 321-333 335-347 349-361 363-375 377-389 391-403 405-417	165-177 179-191 193-205 207-219 221-233 235-247 249-261 263-275 277-289	243-382	146-251	272-448	136-278
48.40.12/MTEC	78	58	18	30	60	M8	35	M16	5,1	263-273 277-287 291-301 305-315 319-329 333-343 347-357 361-371 375-385 389-399	158-168 172-182 186-196 200-210 214-224 228-238 242-252 256-266	289-301 303-315 317-329 331-343 345-357 359-371 373-385 387-399 401-413 415-427	175-187 189-201 203-215 217-229 231-243 245-257 259-271 273-285 287-299				



morsetti temprati per prese esterne hardened jaws for external grips

catalogo | catalogue



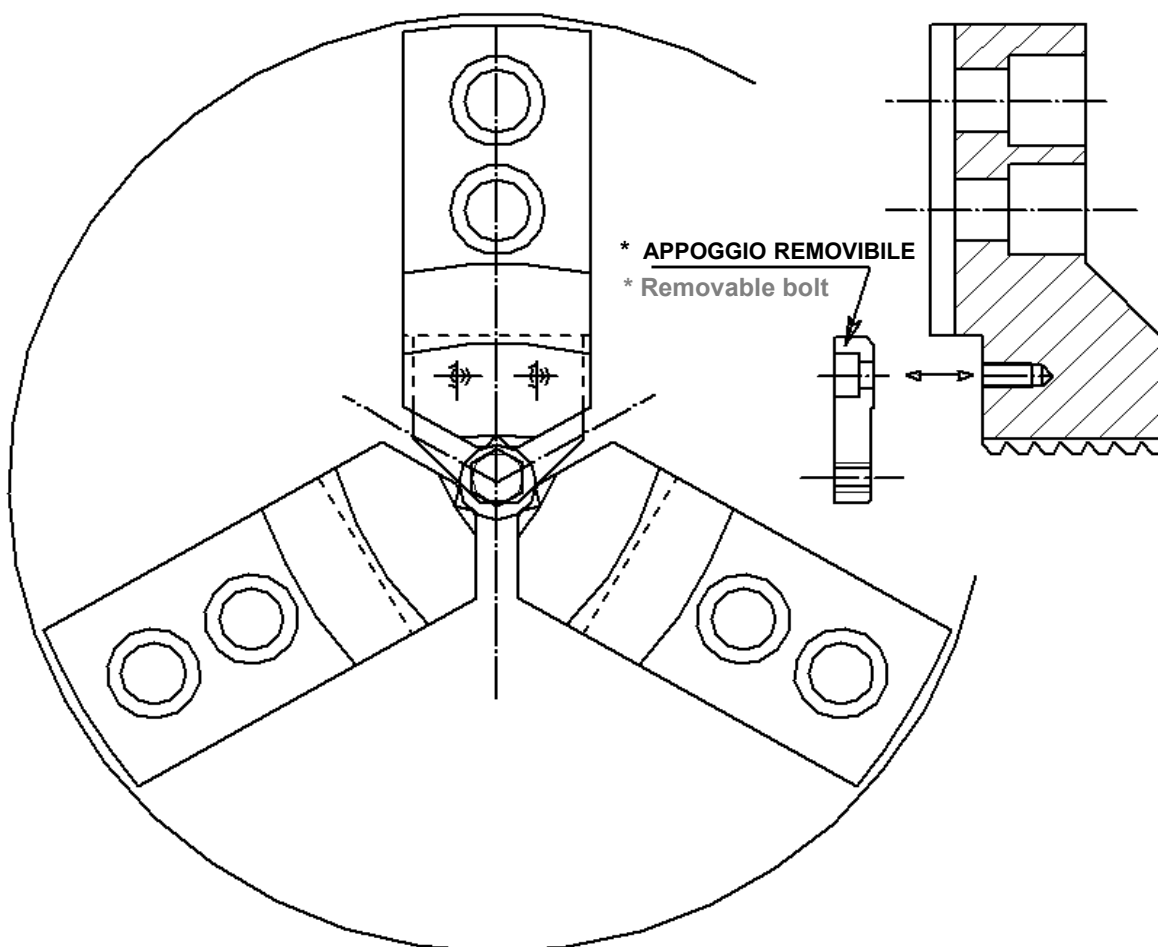
Pag.164

FORKARDT				ROHM				SCHUNK							
KTNC500 KTNCV500		FNC500		DURO400 DURO NC400		DURO500 DURO NC500		ROTA-S400		ROTA-G500		ROTA-S500		THW500R	
CAMPO DI PRESA gripping range (A)		CAMPO DI PRESA gripping range (A)		CAMPO DI PRESA gripping range (A)		CAMPO DI PRESA gripping range (A)		CAMPO DI PRESA gripping range (A)		CAMPO DI PRESA gripping range (A)		CAMPO DI PRESA gripping range (A)		CAMPO DI PRESA gripping range (A)	
POS I	POS II	POS I	POS II	POS I	POS II	POS I	POS II	POS I	POS II	POS I	POS II	POS I	POS II	POS I	POS II
	80-93 97-110 114-127 131-144		75-170		73-83 90-100 107-117 124-134 141-151		74-86 91-103 108-120 125-137 142-154		70-150		54-196		66-196		70-80 84-94 98-108 112-122 126-136 140-150 154-164 168-178
	90-103 107-120 124-137 141-154				83-93 110-110 117-127 134-144 151-161		84-96 101-113 118-130 135-147 152-164								80-90 94-104 108-118 122-132 136-146 150-160 164-174 178-188
272-285 289-302 306-319 323-336 340-353 357-370 374-387 391-404 408-421 425-438	136-149 153-166 170-183 187-200 204-217 221-234 238-251 255-268	265-445	147-276	243-253 260-270 277-287 294-304 311-321 328-338 345-355 362-372	146-156 163-173 180-190 197-207 214-224 231-241	275-287 292-304 309-321 326-338 343-355 360-372 377-389 394-406	164-176 181-193 198-210 215-227 232-244 249-261 266-278	223-375	146-255			275-458	155-322	239-249 253-263 267-277 281-291 295-305 309-319 323-333 337-347 351-361 365-375 379-389	145-155 159-169 173-183 187-197 201-211 215-225 229-239 243-253 257-267
282-295 299-312 316-329 333-346 350-363 367-380 384-397 401-414 418-431 435-448	146-159 163-176 180-193 197-210 214-227 231-244 248-261 265-278			253-263 270-280 287-297 304-314 321-331 338-348 355-365 372-382	156-166 173-183 190-200 207-217 224-234 241-251	285-297 302-314 319-331 336-348 353-365 370-382 387-399 404-416	174-186 191-203 208-220 225-237 242-254 259-271 276-288			275-459	153-337			249-259 263-273 277-287 291-301 305-315 319-329 333-343 347-357 361-371 375-385 389-399	155-165 169-179 183-193 197-207 211-221 225-235 239-249 253-263 267-277

morsetti temprati per prese esterne piccoli diametri hardened jaws for external grips, small diameters

QUESTO MORSETTO E' PARTICOLARMENTE INDICATO PER LA PRESA DI PICCOLI DIAMETRI (CAMPO DI PRESA "A"), DI PARTICOLARI GREZZI.

This jaw is particularly suitable for clamping small diameters (clamping field "A") for raw workpieces .



* ACCESSORIO NON DISPONIBILE PER MORSETTI CON INCASTRO A CROCE .

* This accessory is not available for torque and groove jaws.

NOTA : I DIAMETRI DI PRESA SONO A TITOLO INDICATIVO NON VINCOLANTE PER TUTTI GLI ARTICOLI PRESENTI E PERTANTO POSSONO SUBIRE VARIAZIONI SENZA ALCUN PREAVVISO.

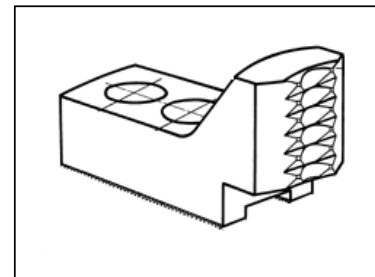
note : Clamping diameters are indicative and not binding for all items in this catalog and can be changed at any time and without notice.

morsetti temprati per prese esterne piccoli diametri

hardened jaws for external grips, small diameters

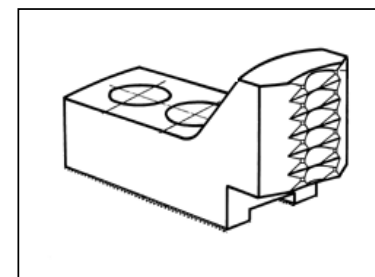
MANDRINO / chuck	PAG.	DENTATURA / pitch: 1/16"x90°- 3/32"x90°
------------------	------	--

SMW-AUTOBLOK	104-111
CMT	104-109
BERG	104-111
FORKARDT	104-111
GAMET	104-109
ROHM	104-111
SCHUNK	104-111



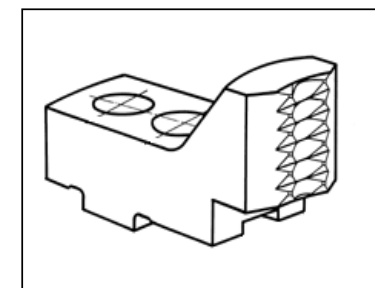
MANDRINO / chuck	PAG.	DENTATURA / pitch: 1,5x60°
------------------	------	----------------------------

SMW-AUTOBLOK (METRICO)	112-115
CMT (METRICO / metric)	112-115
HOWA-AUTOSTRONG-SAMCHULLY-SEOAM	112-115
KITAGAWA	112-115



MANDRINO / chuck	PAG.	INCASTRO A CROCE tongue & groove
------------------	------	-------------------------------------

SMW-AUTOBLOK	116-119
BERG	116-119
FORKARDT	116-119
ROHM	116-119
SAMCHULLY	116-119
SCHUNK	116-119

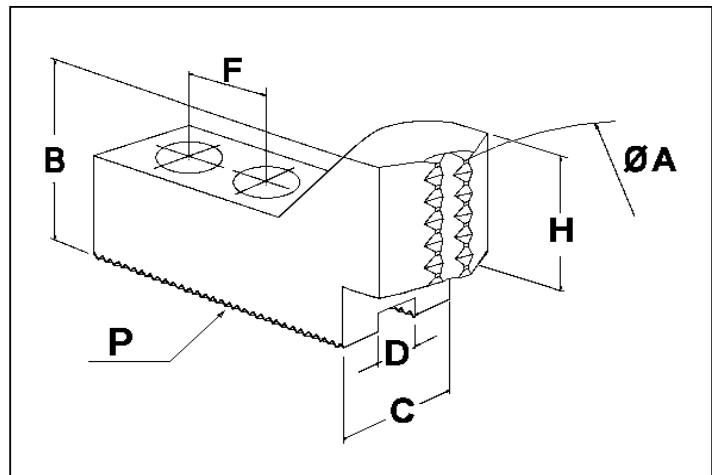


morsetti temprati per piccoli diametri hardened jaws for small diameters

MATERIALE : ACCIAIO 18NiCrMo5 TEMPRATO
material : hardened steel 18NiCrMo5

DENTATURA / pitch: 1/16"x90°

MANDRINI / chucks
SMW/AUTOBLOK - CMT
BERG - FORKARDT
GAMET - ROHM - SCHUNK



MANDRINI / chucks Ø 160 - 175

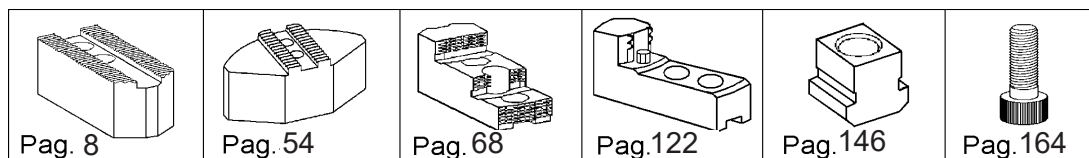
CODICE /code	B	C	D	F	G	H	DIN912	P	KG	ROHM		SCHUNK
										KFD-HS160	KFD-HS175	HSG160-46
										CAMPO DI PRESA gripping range (A)	CAMPO DI PRESA gripping range (A)	CAMPO DI PRESA gripping range (A)
41.16.47/PDE	38	35	12	2x15	M6	27,5	M8	1/16"x90°	0,50	10-30	10-30	10-35

MANDRINI / chucks Ø 165 - 175

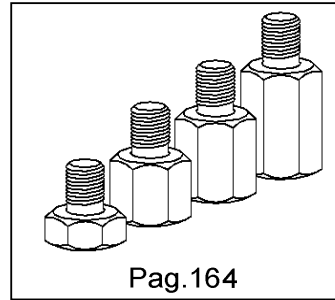
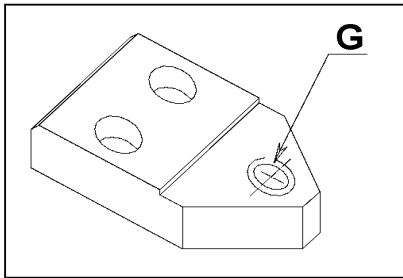
CODICE /code	B	C	D	F	G	H	DIN912	P	KG	SMW/AUTOBLOK-CMT		
										ALD165 BBD175	AND ; BHD; SP ; HYDS	GBI ; GFI
										CAMPO DI PRESA gripping range (A)	CAMPO DI PRESA gripping range (A)	CAMPO DI PRESA gripping range (A)
41.16.48/PDE	38	35	14	16	M6	27,5	M10	1/16"x90°	0,52	10-35	10-30	10-30

MANDRINI / chucks Ø 160 - 175 - 200

CODICE /code	B	C	D	F	G	H	DIN912	P	KG	SMW/AUTOBLOK		BERG
										KFK ; HFKS160	KDV ; KDVG160	KF3 160
										CAMPO DI PRESA gripping range (A)	CAMPO DI PRESA gripping range (A)	CAMPO DI PRESA gripping range (A)
41.16.49/PDE	38	38	17	22	M6	27,5	M12	1/16"x90°	0,54	20-38	15-30	10-25



morsetti temprati per piccoli diametri hardened jaws for small diameters



SMW/AUTOBLOK		GAMET Ø165-170		
HFKND165-46	SP160-38	DELTA 170	MAC165	MAC170
CAMPO DI PRESA gripping range (A)	CAMPO DI PRESA gripping range (A)	CAMPO DI PRESA gripping range (A)	CAMPO DI PRESA gripping range (A)	CAMPO DI PRESA gripping range (A)
10-30	15-35	10-30	10-30	15-35

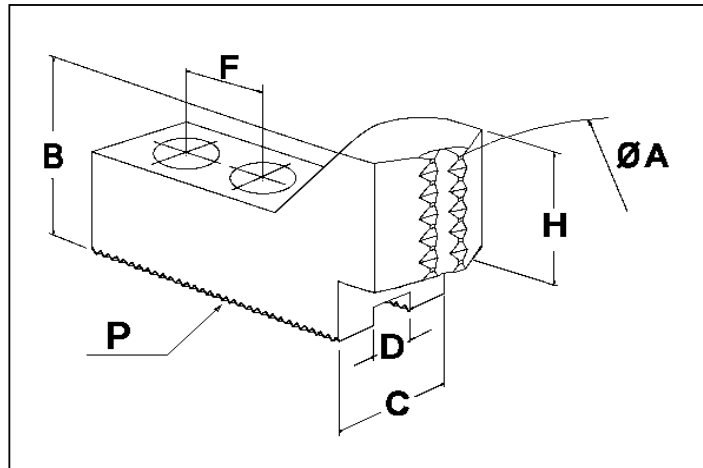
FORKARDT Ø160-175					ROHM	SCHUNK
NH-NHF160	NH-NHF175	KS-KSH160	KT160	UVE160	KFD 160 KFD-HF 160	TH165-37 THF165-37
CAMPO DI PRESA gripping range (A)	CAMPO DI PRESA gripping range (A)	CAMPO DI PRESA gripping range (A)	CAMPO DI PRESA gripping range (A)	CAMPO DI PRESA gripping range (A)	CAMPO DI PRESA gripping range (A)	CAMPO DI PRESA gripping range (A)
15-32	25-42	10-30	10-30	10-40	15-30	20-36

morsetti temprati per piccoli diametri hardened jaws for small diameters

MATERIALE : ACCIAIO 18NiCrMo5 TEMPRATO
material : hardened steel 18NiCrMo5

DENTATURA / pitch: 1/16"x90°

MANDRINI / chucks
SMW/AUTOBLOK - CMT
BERG - FORKARDT
GAMET - ROHM - SCHUNK



MANDRINI / chucks Ø 200 - 210

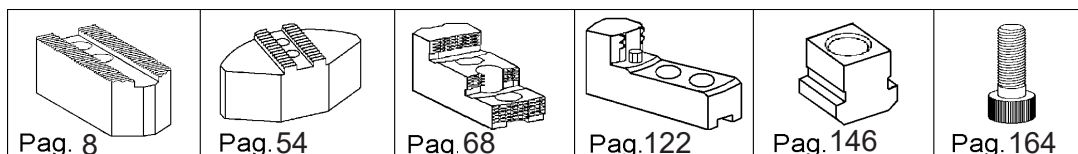
CODICE /code	B	C	D	F	G	H	DIN912	P	KG	SMW/AUTOBLOK-CMT Ø210		
										ALD210	AND ; BBD GFI ; GBI	BHD ; BHD-FC KDV ; KDVG
										CAMPO DI PRESA gripping range (A)	CAMPO DI PRESA gripping range (A)	CAMPO DI PRESA gripping range (A)
41.21.50/PDE	48	38	17	23	M6	37,5	M12	1/16"x90°	0,84	15-40	15-40	15-40

MANDRINI / chucks Ø 200 - 220

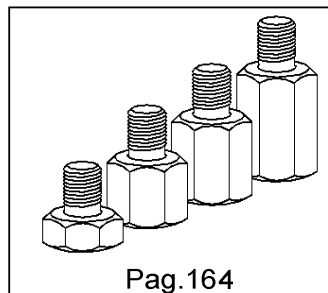
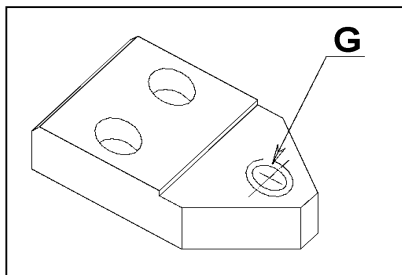
CODICE /code	B	C	D	F	G	H	DIN912	P	KG	GAMET Ø200-220		
										MAC200	DELTA210	MAC220
										CAMPO DI PRESA gripping range (A)	CAMPO DI PRESA gripping range (A)	CAMPO DI PRESA gripping range (A)
41.21.50/PDE	48	38	17	23	M6	37,5	M12	1/16"x90°	0,84	15-33	15-40	35-50

MANDRINI / chucks Ø 250

CODICE /code	B	C	D	F	G	H	DIN912	P	KG	ROHM Ø250	SCHUNK	SMW
										KFL250	KFD-HS250	HSG250-91
										CAMPO DI PRESA gripping range (A)	CAMPO DI PRESA gripping range (A)	CAMPO DI PRESA gripping range (A)
41.25.51/PDE	48	38	17	23	M6	37,5	M12	1/16"x90°	0,88	20-60	15-55	35-70



morsetti temprati per piccoli diametri hardened jaws for small diameters



SMW/AUTOBLOK Ø200-210			BERG Ø200		FORKARDT Ø200			
HFKN-D	HFK210 HFKS200-48	SP210-52 HFKS200-66	KF	KHFF	KG	KS ; KT NH ; NHF	UVE	KTH
CAMPO DI PRESA gripping range (A)	CAMPO DI PRESA gripping range (A)	CAMPO DI PRESA gripping range (A)	CAMPO DI PRESA gripping range (A)	CAMPO DI PRESA gripping range (A)	CAMPO DI PRESA gripping range (A)	CAMPO DI PRESA gripping range (A)	CAMPO DI PRESA gripping range (A)	CAMPO DI PRESA gripping range (A)
15-40	15-40	15-40	15-30	15-30	15-30	15-30	15-35	15-35

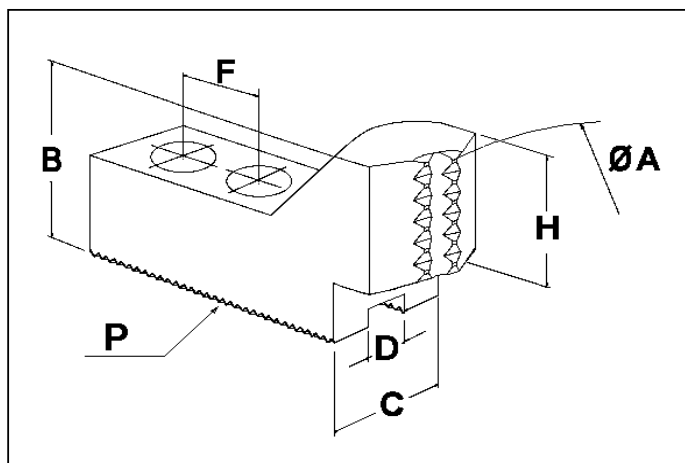
ROHM Ø200		SCHUNK Ø200-210	
KFD 200 KFD-HF200	KFD-HS200	HSG200-66	TH210-52 THF210-52
CAMPO DI PRESA gripping range (A)	CAMPO DI PRESA gripping range (A)	CAMPO DI PRESA gripping range (A)	CAMPO DI PRESA gripping range (A)
15-30	15-30	20-35	15-35

morsetti temprati per piccoli diametri hardened jaws for small diameters

MATERIALE : ACCIAIO 18NiCrMo5 TEMPRATO
material : hardened steel 18NiCrMo5

DENTATURA / pitch: 1/16"x90°

MANDRINI / chucks
SMW/AUTOBLOK - CMT
BERG - FORKARDT
GAMET - ROHM - SCHUNK



MANDRINI / chucks Ø 250

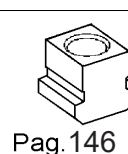
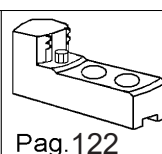
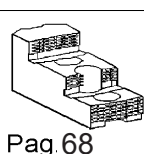
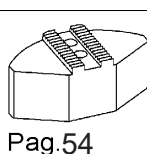
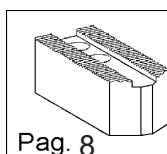
										SMW/AUTOBLOK-CMT Ø250			
										ALD ; BBD	AND ; BHD	HFKN-D260 HFK ; HFKS	SP280-92
CODICE /code	B	C	D	F	G	H	DIN912	P	KG	CAMPO DI PRESA gripping range (A)	CAMPO DI PRESA gripping range (A)	CAMPO DI PRESA gripping range (A)	CAMPO DI PRESA gripping range (A)
41.25.52/PDE	48	48	21	30	M6	37,5	M16	1/16"x90°	1,30	25-60	15-55	25-60	40-80

MANDRINI / chucks Ø 315 - 320

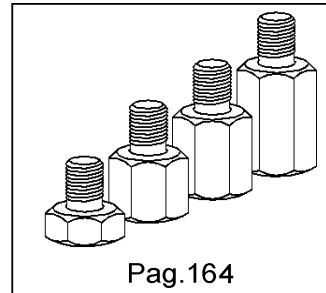
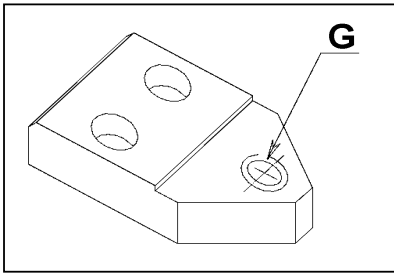
										SMW/AUTOBLOK-CMT Ø315			
										ALD ; AND KDV	BHD ; HFKS GBI ; GFI	BBD	HFKN-D
CODICE /code	B	C	D	F	G	H	DIN912	P	KG	CAMPO DI PRESA gripping range (A)	CAMPO DI PRESA gripping range (A)	CAMPO DI PRESA gripping range (A)	CAMPO DI PRESA gripping range (A)
41.31.53/PDE	48	48	21	30	M6	37,5	M16	1/16"x90°	1,53	15-60	15-60	35-75	25-60

MANDRINI / chucks Ø 400

										SMW/AUTOBLOK Ø400		
										GHD GHDN	HDN/FC	HYDS
CODICE /code	B	C	D	F	G	H	DIN912	P	KG	CAMPO DI PRESA gripping range (A)	CAMPO DI PRESA gripping range (A)	CAMPO DI PRESA gripping range (A)
41.31.53/PDE	48	48	21	30	M6	37,5	M16	1/16"x90°	1,53	70-150	40-150	75-150



morsetti temprati per piccoli diametri hardened jaws for small diameters



	BERG	FORKARDT Ø250			GAMET Ø250-260			ROHM	SHUNK
	KF250 KHFF250	KG ; KLNC	KSH	KT ; NH ; NHF250	DELTA250	MAC250	DELTA260	KFD 250 KFD-HF	TH250-71 THF250-71
	CAMPO DI PRESA gripping range (A)	CAMPO DI PRESA gripping range (A)	CAMPO DI PRESA gripping range (A)	CAMPO DI PRESA gripping range (A)	CAMPO DI PRESA gripping range (A)	CAMPO DI PRESA gripping range (A)	CAMPO DI PRESA gripping range (A)	CAMPO DI PRESA gripping range (A)	CAMPO DI PRESA gripping range (A)
	15-50	15-50	15-50	15-50	15-55	35-55	25-60	15-50	15-55

	SMW/AUTOBLOK	BERG	FORKARDT Ø315	GAMET Ø315-320	ROHM	SCHUNK Ø315				
	SP350-115	SP350-115ES	KF315 KHFF315	KG ; KS ; KSH KT ; UVE	NH/NHF KLNC	MAC315	DELTA320	KFD ; KFD-HS KFL ; KFD-HF	HSG315-108	TH315-86 THF315-86
	CAMPO DI PRESA gripping range (A)	CAMPO DI PRESA gripping range (A)	CAMPO DI PRESA gripping range (A)	CAMPO DI PRESA gripping range (A)	CAMPO DI PRESA gripping range (A)	CAMPO DI PRESA gripping range (A)	CAMPO DI PRESA gripping range (A)	CAMPO DI PRESA gripping range (A)	CAMPO DI PRESA gripping range (A)	CAMPO DI PRESA gripping range (A)
	30-100	60-130	15-60	15-60	15-60	40-80	15-80	15-60	20-70	15-70

	FORKARDT Ø400			ROHM
	KS	KSH	NH/NHF	KFL
	CAMPO DI PRESA gripping range (A)	CAMPO DI PRESA gripping range (A)	CAMPO DI PRESA gripping range (A)	CAMPO DI PRESA gripping range (A)
	15-150	25-150	40-150	15-150

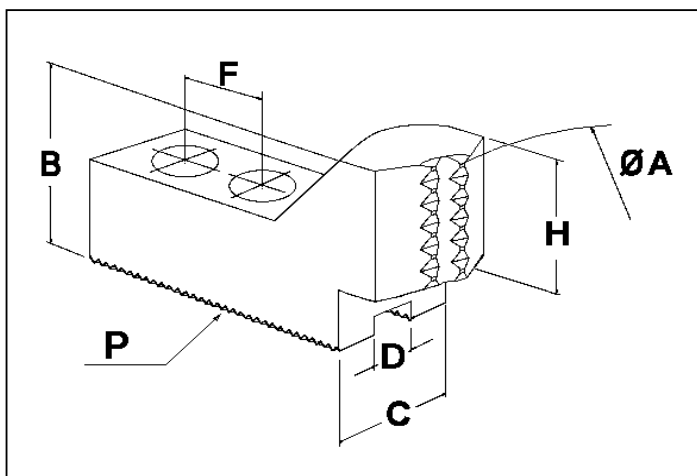
morsetti temprati per piccoli diametri hardened jaws for small diameters

MATERIALE : ACCIAIO 18NiCrMo5 TEMPRATO
material : hardened steel 18NiCrMo5

DENTATURA / pitch: 3/32"x90°

MANDRINI / chucks

SMW/AUTOBLOK
BERG - FORKARDT
ROHM - SCHUNK



MANDRINI / chucks Ø 400

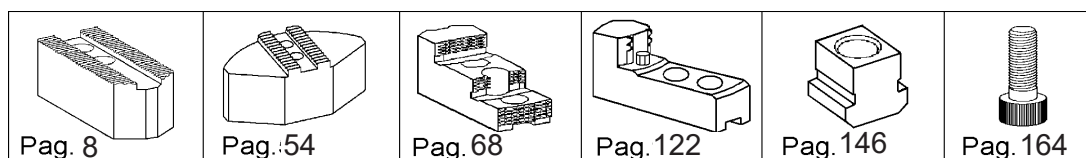
CODICE /code	B	C	D	F	G	H	DIN912	P	KG	SMW/AUTOBLOK Ø400			BERG
										ALD	AND BHD	HFK HFKN-D	KF
										CAMPO DI PRESA gripping range (A)	CAMPO DI PRESA gripping range (A)	CAMPO DI PRESA gripping range (A)	CAMPO DI PRESA gripping range (A)
41.40.54/PDE	58	58	25,5	38	M6	46	M20	3/32"x90°	2,8	30-90	25-90	25-90	15-90

MANDRINI / chucks Ø 450 - 500

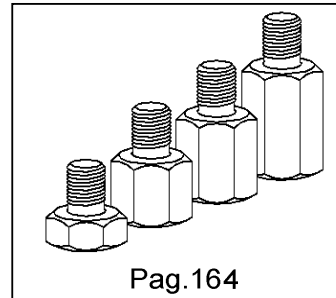
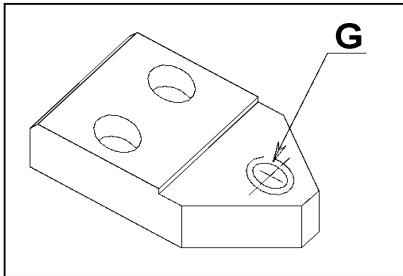
CODICE /code	B	C	D	F	G	H	DIN912	P	KG	SMW/AUTOBLOK Ø450 - 500			
										BHD450	GHD500	ILD 500 BHD/FC500	HFKN-D500
										CAMPO DI PRESA gripping range (A)	CAMPO DI PRESA gripping range (A)	CAMPO DI PRESA gripping range (A)	CAMPO DI PRESA gripping range (A)
41.40.54/PDE	58	58	25,5	38	M6	46	M20	3/32"x90°	2,8	25-85	110-180	65-130	50-120

MANDRINI / chucks Ø 610 - 640

CODICE /code	B	C	D	F	G	H	DIN912	P	KG	SMW/AUTOBLOK Ø610-640			
										GHD610	ILD630	GHD640	BHD-FC 630
										CAMPO DI PRESA gripping range (A)	CAMPO DI PRESA gripping range (A)	CAMPO DI PRESA gripping range (A)	CAMPO DI PRESA gripping range (A)
41.40.54/PDE	58	58	25,5	38	M6	46	M20	3/32"x90°	2,8	180-245	70-130	210-280	60-125



morsetti temprati per piccoli diametri hardened jaws for small diameters



BERG	FORKARDT Ø400				ROHM Ø400			SCHUNK	
KHF KHFF	KLNC	KG KT	NH	NHF	UVE	KFD	KFD-HF KFD- HS	THF400-120	HSG400-126
CAMPO DI PRESA gripping range (A)	CAMPO DI PRESA gripping range (A)	CAMPO DI PRESA gripping range (A)	CAMPO DI PRESA gripping range (A)	CAMPO DI PRESA gripping range (A)	CAMPO DI PRESA gripping range (A)	CAMPO DI PRESA gripping range (A)	CAMPO DI PRESA gripping range (A)	CAMPO DI PRESA gripping range (A)	CAMPO DI PRESA gripping range (A)
15-90	15-90	15-90	15-90	20-90	15-90	20-90	45-110	20-90	

BERG Ø500		FORKARDT Ø500			ROHM Ø500		SCHUNK	
KF500	KHF500 KHFF500	NH/NHF500	KG500	KLNC 500 KS ; KT500	KFD 500 KFD-HS	KFD-HF500	HSG500-165	TH500-160 THF500-160
CAMPO DI PRESA gripping range (A)	CAMPO DI PRESA gripping range (A)	CAMPO DI PRESA gripping range (A)	CAMPO DI PRESA gripping range (A)	CAMPO DI PRESA gripping range (A)	CAMPO DI PRESA gripping range (A)	CAMPO DI PRESA gripping range (A)	CAMPO DI PRESA gripping range (A)	CAMPO DI PRESA gripping range (A)
20-80	20-80	45-110	20-80	20-80	20-80	60-125	50-120	75-140

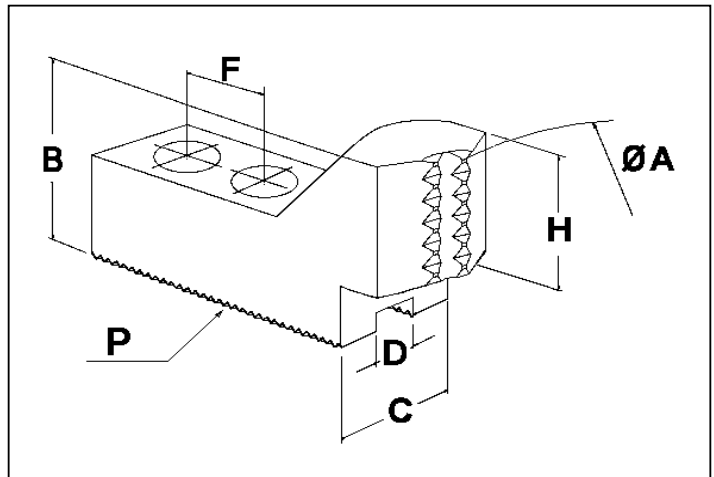
BERG Ø630		FORKARDT		ROHM
KF630	KHFF630	NH/NHF630	KS630	KFD-HF630
CAMPO DI PRESA gripping range (A)	CAMPO DI PRESA gripping range (A)	CAMPO DI PRESA gripping range (A)	CAMPO DI PRESA gripping range (A)	CAMPO DI PRESA gripping range (A)
20-80	70-135	70-135	15-80	70-135

morsetti temprati per piccoli diametri hardened jaws for small diameters

MATERIALE : ACCIAIO 18NiCrMo5 TEMPRATO
material : hardened steel 18NiCrMo5

DENTATURA / pitch: 1,5"x60°

MANDRINI / chucks
SMW/AUTOBLOK (METRICO)
CMT (METRICO)
HOWA - KITAGAWA
AUTOSTRONG-SAMCHULLY-SEOAM



MANDRINI / chucks Ø 165 - 175

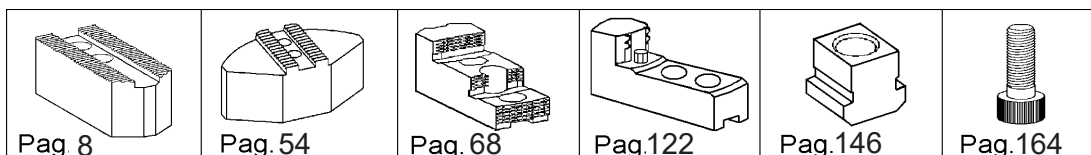
CODICE /code	B	C	D	F	G	H	DIN912	P	KG	SMW/AUTOBLOK - CMT		
										ALM165 ANM165	BBM175	BHM ; ANM165 GBM ; GFM165
										CAMPO DI PRESA gripping range (A)	CAMPO DI PRESA gripping range (A)	CAMPO DI PRESA gripping range (A)
42.16.47/PDE	38	35	12	20	M6	27,5	M10	1,5x60°	0,50	10-35	15-35	10-35

MANDRINI / chucks Ø 210

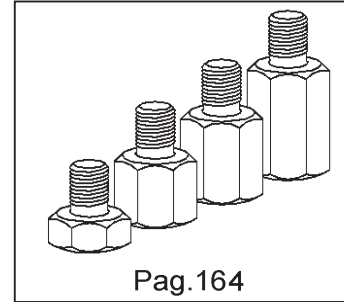
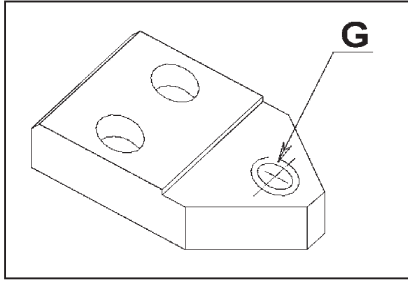
CODICE /code	B	C	D	F	G	H	DIN912	P	KG	SMW/AUTOBLOK - CMT Ø210		
										ALM210	ANM210 BBM210	BHM210 GBM ; GFM210
										CAMPO DI PRESA gripping range (A)	CAMPO DI PRESA gripping range (A)	CAMPO DI PRESA gripping range (A)
42.21.48/PDE	48	38	14	25	M6	37,5	M12	1,5x60°	0,84	20-45	15-40	10-40

MANDRINI / chucks Ø 210

CODICE /code	B	C	D	F	G	H	DIN912	P	KG	HOWA	
										HO22M8	HO27M8
										CAMPO DI PRESA gripping range (A)	CAMPO DI PRESA gripping range (A)
42.21.49/PDE	48	38	16	25	M6	37,5	M12	1,5x60°	0,80	15-40	10-40



morsetti temprati per piccoli diametri hardened jaws for small diameters



	HOWA Ø165			KITAGAWA Ø165-170		
	HO1MA6	HO22M6	HO27M6 HO37M6	B206 HOH206	B160 B06	N06 N160
	CAMPO DI PRESA gripping range (A)	CAMPO DI PRESA gripping range (A)	CAMPO DI PRESA gripping range (A)	CAMPO DI PRESA gripping range (A)	CAMPO DI PRESA gripping range (A)	CAMPO DI PRESA gripping range (A)
	15-30	10-30	10-30	10-35	10-35	10-35

	HOWA	KITAGAWA Ø210			KITAGAWA
	HO23M8	B208-BB208 HOH208	B08	N08	BB208
	CAMPO DI PRESA gripping range (A)	CAMPO DI PRESA gripping range (A)	CAMPO DI PRESA gripping range (A)	CAMPO DI PRESA gripping range (A)	CAMPO DI PRESA gripping range (A)
	10-35	10-35	10-35	15-40	20-40

morsetti temprati per piccoli diametri hardened jaws for small diameters

MATERIALE : ACCIAIO 18NiCrMo5 TEMPRATO
material : hardened steel 18NiCrMo5

DENTATURA / pitch: 1,5"x60°

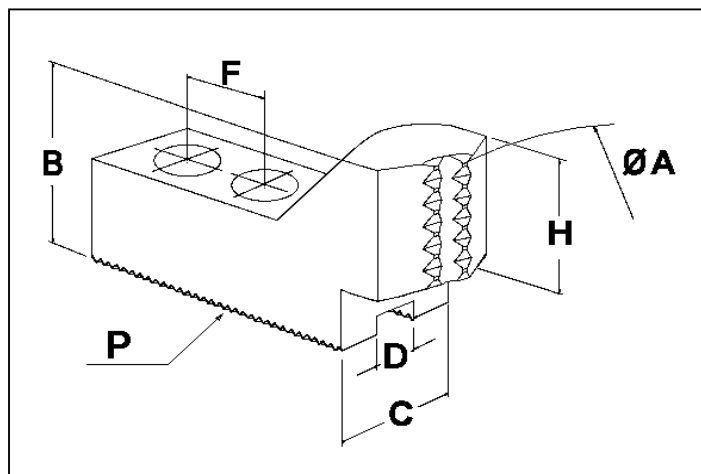
MANDRINI / chucks

SMW/AUTOBLOK (METRICO)

CMT (METRICO)

HOWA - KITAGAWA

AUTOSTRONG-SAMCHULLY-SEOAM



MANDRINI / chucks Ø 250 - 254

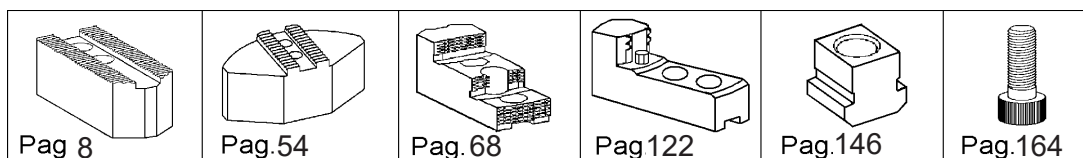
CODICE /code	B	C	D	F	G	H	DIN912	P	KG	SMW/AUTOBLOK - CMT		
										ALM250	ANM ; BHM250 GBM ; GFM250	BBM250
										CAMPO DI PRESA gripping range (A)	CAMPO DI PRESA gripping range (A)	CAMPO DI PRESA gripping range (A)
42.25.51/PDE	48	38	16	30	M6	37,5	M12	1,5x60°	0,98	25-55	15-55	25-55

MANDRINI / chucks Ø 254

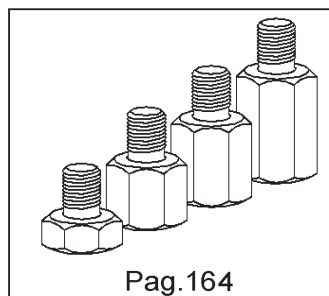
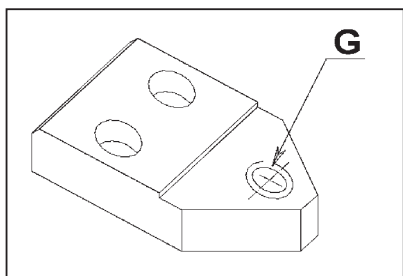
CODICE /code	B	C	D	F	G	H	DIN912	P	KG	HOWA	
										HO22M10	HO27M10
										CAMPO DI PRESA gripping range (A)	CAMPO DI PRESA gripping range (A)
42.25.50/PDE	48	38	18	30	M6	37,5	M14	1,5x60°	1,02	15-50	15-50

MANDRINI / chucks Ø 304

CODICE /code	B	C	D	F	G	H	DIN912	P	KG	KITAGAWA Ø304	
										B12 HOH12	N12
										CAMPO DI PRESA gripping range (A)	CAMPO DI PRESA gripping range (A)
42.30.52/PDE	48	48	18	30	M6	37,5	M14	1,5x60°	1,38	15-60	15-60



morsetti temprati per piccoli diametri hardened jaws for small diameters



MANDRINI / chucks Ø 250 - 254

										KITAGAWA Ø254		
										B210 ; B10	HOH10	N10
CODICE /code	B	C	D	F	G	H	DIN912	P	KG	CAMPO DI PRESA gripping range (A)	CAMPO DI PRESA gripping range (A)	CAMPO DI PRESA gripping range (A)
42.25.51/PDE	48	38	16	30	M6	37,5	M12	1,5x60°	0,98	10-50	10-50	10-50

MANDRINI / chucks Ø 304 - 315

										SMW/AUTOBLOK-CMT Ø315			KITAGAWA	
										ALM315	BHM ; ANM GBM;GFM	BBM315	B212	BB212
CODICE /code	B	C	D	F	G	H	DIN912	P	KG	CAMPO DI PRESA gripping range (A)	CAMPO DI PRESA gripping range (A)	CAMPO DI PRESA gripping range (A)	CAMPO DI PRESA gripping range (A)	CAMPO DI PRESA gripping range (A)
42.30.53/PDE	48	48	21	30	M6	37,5	M16	1,5x60°	1,32	15-80	25-80	55-80	15-75	25-85

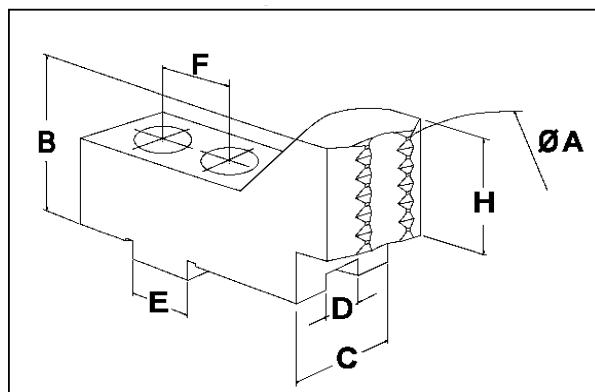
morsetti temprati per piccoli diametri hardened jaws for small diameters

MATERIALE : ACCIAIO 18NiCrMo5 TEMPRATO
material : hardened steel 18NiCrMo5

INCASTRO A CROCE / tongue & groove

MANDRINI / chucks

SMW/AUTOBLOK
BERG - FORKARDT
ROHM - SCHUNK
SAMCHULLY



MANDRINI / chucks Ø 160 - 185

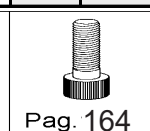
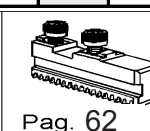
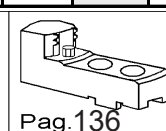
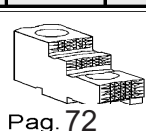
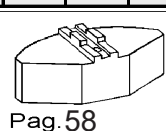
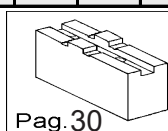
CODICE /code	B	C	D	E	F	H	DIN912	KG	SMW/AUTOBLOK		BERG					
									POS I	POS II	POS I	POS II				
									CAMPO DI PRESA gripping range (A)		CAMPO DI PRESA gripping range (A)					
48.16.01/PDEC	40	22	8	18	32	30	M8	0,8		15-17 22-27 32-37		12-15 21-25 30-34 39-44		21-26		17-22 27-32 37-41
48.16.01/PDEC	40	22	8	18	32	30	M8	0,8		17-22 27-32 37-41		16-20 26-30 35-39 44-49		16-21		22-27 32-37

MANDRINI / chucks Ø 200 - 210

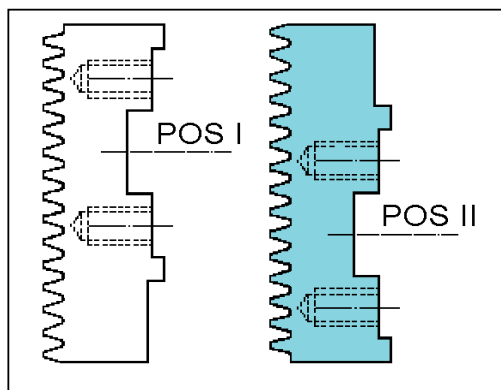
CODICE /code	B	C	D	E	F	H	DIN912	KG	SMW/AUTOBLOK		BERG			
									POS I	POS II	POS I	POS II		
									CAMPO DI PRESA gripping range (A)		CAMPO DI PRESA gripping range (A)			
48.21.01/PDEC	45	22	10	20	40	35	M8	0,9		17-22 27-32 37-41		18-22 27-31 36-41 46-50		19-24 29-34 39-41
48.21.02/PDEC	45	22	10	20	40	35	M8	0,9		22-27 32-37		23-27 32-36 42-46 51-55		24-29 34-39

MANDRINI / chucks Ø 250 - 280

CODICE /code	B	C	D	E	F	H	DIN912	KG	SMW/AUTOBLOK		BERG			
									POS I	POS II	POS I	POS II		
									CAMPO DI PRESA gripping range (A)		CAMPO DI PRESA gripping range (A)			
48.25.51/PDEC	45	26	12	20	40	35	M12	1,3		25-31 36-42 47-52		16-19 25-30 36-41 47-52 58-63		26-32 38-44 50-56
48.25.52/PDEC	45	26	12	20	40	35	M12	1,3		31-36 42-47		20-25 31-36 42-47 53-58 64-69		20-26 32-38 44-50



morsetti temprati per piccoli diametri hardened jaws for small diameters



FORKARDT						ROHM						SCHUNK					
F160 F+160		KTNC160		FNC175 KTNCV175		DURO160 DURO NC160		DURO NCE160		DURO NC175		ROTA-G160		ROTA-S160		THW165R	
CAMPO DI PRESA gripping range (A)		CAMPO DI PRESA gripping range (A)		CAMPO DI PRESA gripping range (A)		CAMPO DI PRESA gripping range (A)		CAMPO DI PRESA gripping range (A)		CAMPO DI PRESA gripping range (A)		CAMPO DI PRESA gripping range (A)		CAMPO DI PRESA gripping range (A)		CAMPO DI PRESA gripping range (A)	
POS I	POS II	POS I	POS II	POS I	POS II	POS I	POS II	POS I	POS II	POS I	POS II	POS I	POS II	POS I	POS II	POS I	POS II
	16-21 26-31 36-42		21-25		20-25 30-35		16-21 26-31 36-42		15-19 24-26		22-27,5 32-37,5		10-46		10-42		14-19 24-29
	21-26 31-36		16-21		25-30 35-37		21-26 31-36		19-24		17,5-22 27,5-32 37,5-41						19-24 29-34

FORKARDT						ROHM						SCHUNK					
F200 F+200		KTNC200		FNC200 KTNCV200		DURO200		DURO NCE200		DURO NC200		ROTA-G200		ROTA-S200		THW210R	
CAMPO DI PRESA gripping range (A)		CAMPO DI PRESA gripping range (A)		CAMPO DI PRESA gripping range (A)		CAMPO DI PRESA gripping range (A)		CAMPO DI PRESA gripping range (A)		CAMPO DI PRESA gripping range (A)		CAMPO DI PRESA gripping range (A)		CAMPO DI PRESA gripping range (A)		CAMPO DI PRESA gripping range (A)	
POS I	POS II	POS I	POS II	POS I	POS II	POS I	POS II	POS I	POS II	POS I	POS II	POS I	POS II	POS I	POS II	POS I	POS II
	22-27 32-37 42-47		20-25 30-35 40-45		20-25 30-35 40-45		22-27 32-37 42-47		16-21 26-31 36-41		16-21 26-31 36-41		13-87		12-73		17-22 27-31,5 36-41 45-50
	27-32 37-42 47-52		25-30 35-40		25-30 35-40		27-32 37-42 47-52		21-26 31-36		21-26 31-36						22-27 31,5-36 41-46

FORKARDT						ROHM						SCHUNK					
F250 F+250		KTNC250-280		FNC250 KTNCV250		DURO250		DURO NCE250		DURO NC250		ROTA-G250		ROTA-S250		THW250R THW265R	
CAMPO DI PRESA gripping range (A)		CAMPO DI PRESA gripping range (A)		CAMPO DI PRESA gripping range (A)		CAMPO DI PRESA gripping range (A)		CAMPO DI PRESA gripping range (A)		CAMPO DI PRESA gripping range (A)		CAMPO DI PRESA gripping range (A)		CAMPO DI PRESA gripping range (A)		CAMPO DI PRESA gripping range (A)	
POS I	POS II	POS I	POS II	POS I	POS II	POS I	POS II	POS I	POS II	POS I	POS II	POS I	POS II	POS I	POS II	POS I	POS II
	20-23 29-35 41-47 53-60		24-30 36-42 48-52		22-28 34-40 46-52 58-65		20-23 29-35 41-47 53-60		22-28 34-40 46-52		22-28 34-40 46-52		16-102		16-79		18-24 29-35 40-46 51-57 62-68
	23-29 35-41 47-53		30-36 42-48		28-34 40-46 52-58		23-29 35-41 47-53		28-34 40-46		28-34 40-46						24-30 35-41 46-52 57-63

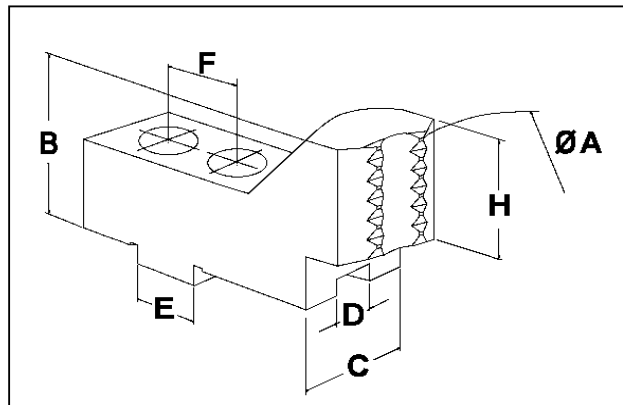
morsetti temprati per piccoli diametri hardened jaws for small diameters

MATERIALE : ACCIAIO 18NiCrMo5 TEMPRATO
material : hardened steel 18NiCrMo5

INCASTRO A CROCE / tongue & groove

MANDRINI / chucks

SMW/AUTOBLOK
BERG - FORKARDT
ROHM - SCHUNK
SAMCHULLY

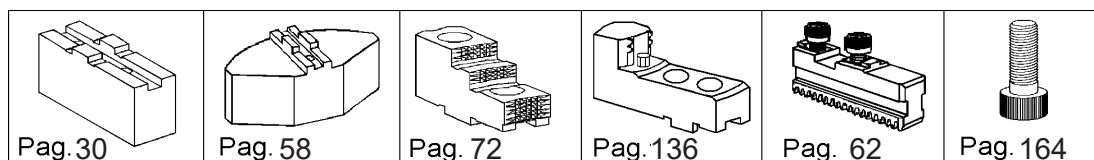


MANDRINI / chucks Ø 315

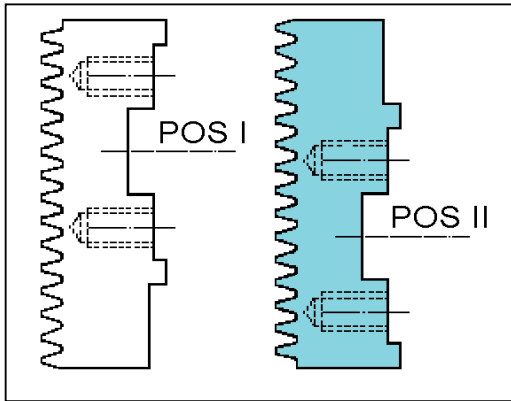
CODICE /code	B	C	D	E	F	H	DIN912	KG	SMW/AUTOBLOK		BERG			
									KNCS-A315 KNCS315 ; HG 315		KNCS-N 315		KHNC315	
									CAMPO DI PRESA gripping range (A)		CAMPO DI PRESA gripping range (A)		CAMPO DI PRESA gripping range (A)	
POS I	POS II	POS I	POS II	POS I	POS II									
48.25.51/PDEC	45	26	12	20	40	35	M12	1,3		25-31 36-42 47-53 58-64 69-75		24-30 35-41 46-52 57-63 68-74 79-85		26-32 38-44 50-56 62-68 74-81
48.25.52/PDEC	45	26	12	20	40	35	M12	1,3		31-36 42-47 53-58 64-69		30-36 41-47 52-58 63-69 74-80 85-91		32-38 44-50 56-62 68-74

MANDRINI / chucks Ø 315 - 400

CODICE /code	B	C	D	E	F	H	DIN912	KG	SMW/AUTOBLOK		BERG			
									KNCS400 KNCS-A400		KNCS-N 400		KHNC400	
									CAMPO DI PRESA gripping range (A)		CAMPO DI PRESA gripping range (A)		CAMPO DI PRESA gripping range (A)	
POS I	POS II	POS I	POS II	POS I	POS II									
48.31.11/PDEC	50	32	12	26	54	40	M12	2,2		31-39 42-50 53-61 64-72 75-83		38-45 49-56 60-67 71-78 82-89 93-100 103-111 115-122		25-35 39-49 53-63 67-77 81-91 95-105
48.31.12/PDEC	50	32	12	26	54	40	M12	2,2		41-49 52-60 63-71 74-82 85-92		47-54 58-65 69-76 80-87 91-98 102-109 113-120 124-131		35-45 49-59 63-73 77-87 91-101 105-108



morsetti temprati per piccoli diametri hardened jaws for small diameters

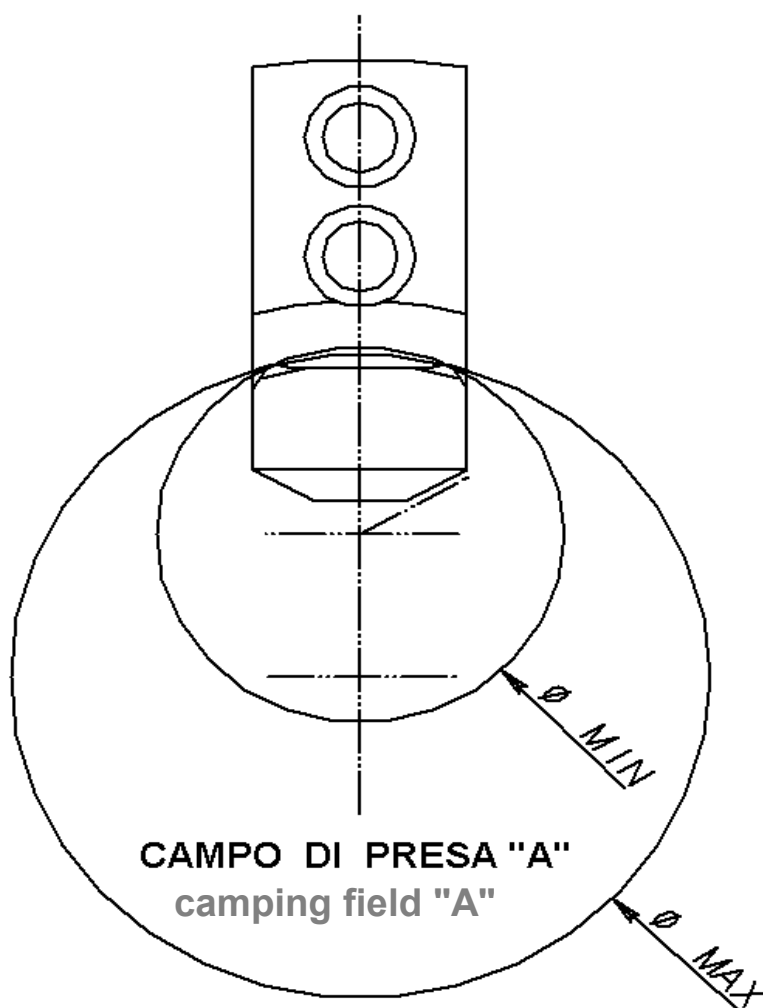


FORKARDT				ROHM		SCHUNK			
KTNC315		FNC315 KTNCV315		DURO NCE315		ROTA-G315		THW315R	
CAMPO DI PRESA gripping range (A)		CAMPO DI PRESA gripping range (A)		CAMPO DI PRESA gripping range (A)		CAMPO DI PRESA gripping range (A)		CAMPO DI PRESA gripping range (A)	
POS I	POS II	POS I	POS II	POS I	POS II	POS I	POS II	POS I	POS II
	24-30 36-42 48-52		22-28 34-40 46-52 58-65		22-28 34-40 46-52 58-64 70-76		19-127		23-29 34-40 45-51 56-62 67-73 78-84
	30-36 42-48		28-34 40-46 52-58		28-34 40-46 52-58 64-70				18-24 29-35 40-46 51-57 62-68 73-79

FORKARDT						ROHM				SCHUNK					
F315 F+315		KTNC360		KTNC400 FNC400		DURO315 DURO NC315		DURO NCE400		ROTA-S315		ROTA-G400		THW400R	
CAMPO DI PRESA gripping range (A)		CAMPO DI PRESA gripping range (A)		CAMPO DI PRESA gripping range (A)		CAMPO DI PRESA gripping range (A)		CAMPO DI PRESA gripping range (A)		CAMPO DI PRESA gripping range (A)		CAMPO DI PRESA gripping range (A)		CAMPO DI PRESA gripping range (A)	
POS I	POS II	POS I	POS II	POS I	POS II	POS I	POS II	POS I	POS II	POS I	POS II	POS I	POS II	POS I	POS II
	24-33 37-47 51-61 65-75		24-33 37-47 51-61		28-38 42-52 56-66 70-80		24-33 37-47 51-61 65-75		61-71 75-85 89-99		20-90		35-160		32-39 49-50 54-61 65-72 76-83 87-94 98-105 106-116
	33-43 47-57 61-71 75-85		33-43 47-57		38-48 52-62 66-76 80-85		33-43 47-57 61-71 75-85		71-81 85-95 99-103						38-45 49-56 60-67 71-78 82-89 93-100 104-111 115-122

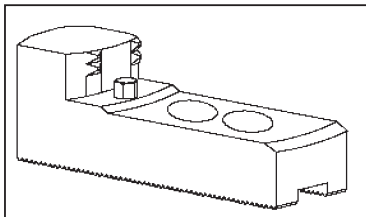
QUESTO MORSETTO PERMETTE UNA PRESA INTERNA SICURA SU DIVERSI DIAMETRI (CAMPO DI PRESA "A"), ATTRAVERSO LA PENETRAZIONE DI DUE FILE DI DENTI SUL PARTICOLARE GREZZO.

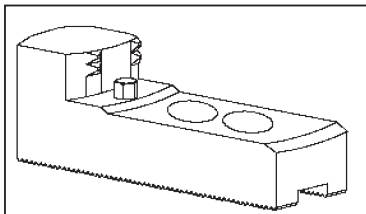
This jaw allows a safe internal grip on different diameters (clamping field "A") by penetration of two rows of teeth on raw workpiece.

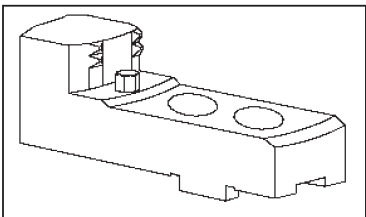


NOTA : I DIAMETRI DI PRESA SONO A TITOLO INDICATIVO NON VINCOLANTE PER TUTTI GLI ARTICOLI PRESENTI E PERTANTO POSSONO SUBIRE VARIAZIONI SENZA ALCUN PREAVVISO.

note : Clamping diameters are indicative and not binding for all items in this catalog and can be changed at any time and without notice.

MANDRINO / chuck	PAG.	DENTATURA / pitch: 1/16"x90°- 3/32"x90°
SMW-AUTOBLOK	122-131	
CMT	122-131	
BERG	122-131	
FORKARDT	122-131	
GAMET	122-131	
ROHM	122-131	
SCHUNK	122-131	

MANDRINO / chuck	PAG.	DENTATURA / pitch: 1,5x60°
SMW-AUTOBLOK (METRICO)	132-135	
CMT (METRICO / metric)	132-135	
HOWA-AUTOSTRONG-SAMCHULLY-SEOAM	132-135	
KITAGAWA	132-135	

MANDRINO / chuck	PAG.	INCASTRO A CROCE tongue & groove
SMW-AUTOBLOK	136-143	
BERG	136-143	
FORKARDT	136-143	
ROHM	136-143	
SAMCHULLY	136-143	
SCHUNK	136-143	

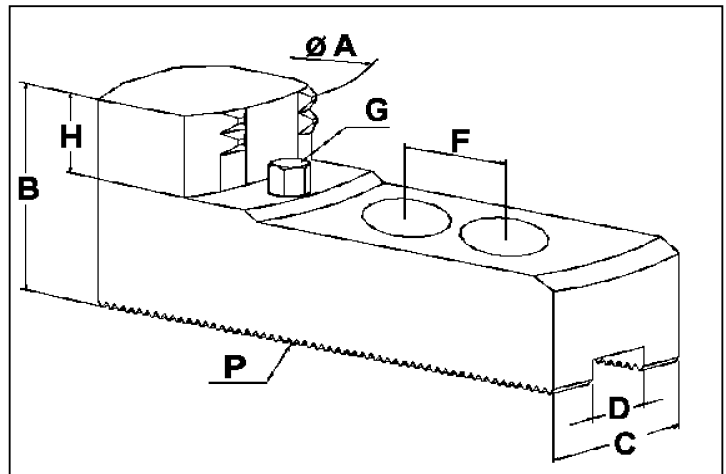
morsetti temprati per prese interne hardened jaws for internal grips

catalogo | catalogue

MATERIALE : ACCIAIO 18NiCrMo5 TEMPRATO
material : hardened steel 18NiCrMo5

DENTATURA / pitch: 1/16"x90°

MANDRINI / chucks
SMW/AUTOBLOK - CMT
BERG - FORKARDT
GAMET - ROHM - SCHUNK



MANDRINI / chucks Ø 140 - 160

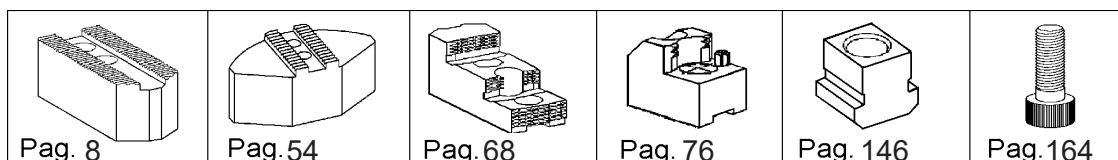
CODICE /code	B	C	D	F	G	H	DIN912	P	KG	BERG	
										KH140	KH160
										CAMPO DI PRESA gripping range (A)	CAMPO DI PRESA gripping range (A)
40.14.01/MT1	38	28	10	17,5	M6	13	M10	1/16"x90°	0,24	40-60	50-75
40.14.02/MT1	38	38	10	17,5	M6	13	M10	1/16"x90°	0,37	60-80	70-95
40.14.03/MT1	"	"	"	"	"	"	"	"	0,36	80-100	90-120
40.14.04/MT1	"	"	"	"	"	"	"	"	0,33	100-120	110-140

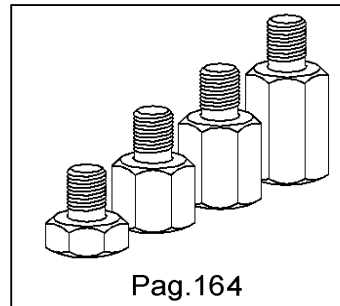
MANDRINI / chucks Ø 160 - 175

CODICE /code	B	C	D	F	G	H	DIN912	P	KG	ROHM		SCHUNK
										KFD-HS160	KFD-HS175	HSG160-46
										CAMPO DI PRESA gripping range (A)	CAMPO DI PRESA gripping range (A)	CAMPO DI PRESA gripping range (A)
43.16.31/MT1	38	34	12	2x15	M6	15	M8	1/16"x90°	0,35	55-80	60-90	60-95
43.16.32/MT1	"	"	"	"	"	"	"	"	0,39	80-110	90-125	90-120
43.16.33/MT1	"	"	"	"	"	"	"	"	0,39	110-140	120-155	115-155

MANDRINI / chucks Ø 160 - 175

CODICE /code	B	C	D	F	G	H	DIN912	P	KG	SMW/AUTOBLOK-CMT			
										ALD165 BBD175	AND ; BHD HYDS ; GBI	HFKN165-46	SP160-38
										CAMPO DI PRESA gripping range (A)	CAMPO DI PRESA gripping range (A)	CAMPO DI PRESA gripping range (A)	CAMPO DI PRESA gripping range (A)
43.16.01/MT1	48	38	14	16	M6	20	M10	1/16"x90°	0,49	65-90	60-85	60-85	70-95
43.16.02/MT1	"	"	"	"	"	"	"	"	0,42	90-115	85-110	85-110	95-120
43.16.03/MT1	"	"	"	"	"	"	"	"	0,37	115-145	110-135	110-135	120-145
43.16.04/MT1	"	"	"	"	"	"	"	"	0,40	145-170	135-165	135-160	145-170





MANDRINI / chucks Ø 165 - 170

										GAMET Ø165-170		
										DELTA 170	MAC165	MAC170
CODICE /code	B	C	D	F	G	H	DIN912	P	KG	CAMPO DI PRESA gripping range (A)	CAMPO DI PRESA gripping range (A)	CAMPO DI PRESA gripping range (A)
43.16.01/MTI	48	38	14	16	M6	20	M10	1/16"x90°	0,49	60-85	65-88	68-92
43.16.02/MTI	"	"	"	"	"	"	"	"	0,42	80-110	88-112	92-117
43.16.03/MTI	"	"	"	"	"	"	"	"	0,37	105-135	112-140	117-144
43.16.04/MTI	"	"	"	"	"	"	"	"	0,40	130-160	140-155	144-160

MANDRINI / chucks Ø 175 - 200

										BERG	
										KH175	KH200
CODICE /code	B	C	D	F	G	H	DIN912	P	KG	CAMPO DI PRESA gripping range (A)	CAMPO DI PRESA gripping range (A)
40.17.06/MTI	48	38	12	21	M6	20	M12	1/16"x90°	0,55	60-80	70-95
40.17.07/MTI	"	"	"	"	"	"	"	"	0,60	80-100	90-115
40.17.08/MTI	"	"	"	"	"	"	"	"	0,51	100-120	115-135
40.17.09/MTI	"	"	"	"	"	"	"	"	0,40	120-140	135-160
40.17.10/MTI	"	"	"	"	"	"	"	"	0,52	140-160	155-180

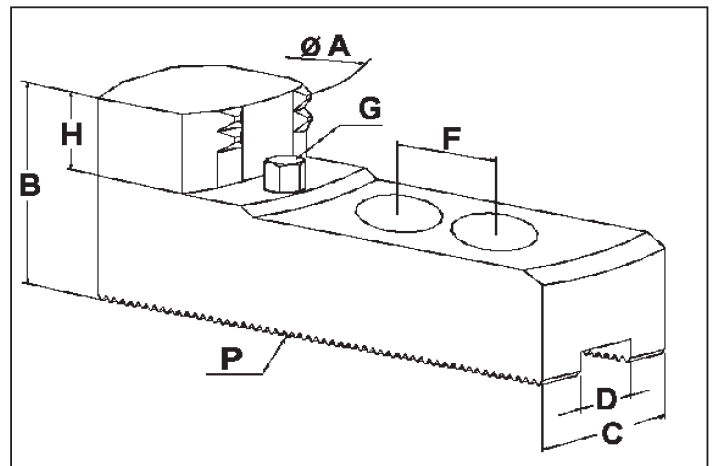
morsetti temprati per prese interne hardened jaws for internal grips

catalogo | catalogue

MATERIALE : ACCIAIO 18NiCrMo5 TEMPRATO
material : hardened steel 18NiCrMo5

DENTATURA / pitch: 1/16"x90°

MANDRINI / chucks
SMW/AUTOBLOK - CMT
BERG - FORKARDT
GAMET - ROHM - SCHUNK



MANDRINI / chucks Ø 160 - 175 - 200

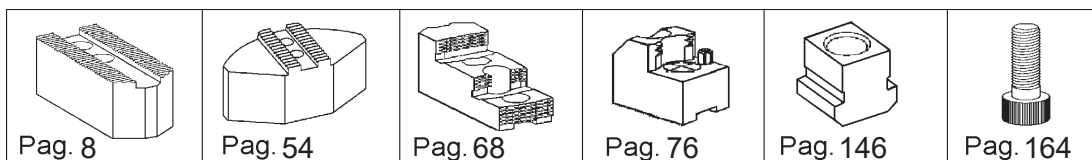
CODICE /code	B	C	D	F	G	H	DIN912	P	KG	SMW/AUTOBLOK		BERG
										KFK ; HFKS160	KDV ; KDVG160	KF3 160
										CAMPO DI PRESA gripping range (A)	CAMPO DI PRESA gripping range (A)	CAMPO DI PRESA gripping range (A)
43.16.05/MT1	48	38	17	22	M6	20	M12	1/16"x90°	0,49	66-80	60-70	60-65
43.16.06/MT1	"	"	"	"	"	"	"	"	0,47	80-90	70-80	65-80
43.16.07/MT1	"	"	"	"	"	"	"	"	0,43	90-105	80-95	80-90
43.16.08/MT1	"	"	"	"	"	"	"	"	0,39	105-120	95-110	90-105
43.16.09/MT1	"	"	"	"	"	"	"	"	0,40	120-135	110-125	105-120
43.16.10/MT1	"	"	"	"	"	"	"	"	0,37	135-150	125-140	120-135

MANDRINI / chucks Ø 200 - 210

CODICE /code	B	C	D	F	G	H	DIN912	P	KG	SMW/AUTOBLOK-CMT Ø210		
										ALD210 AND210	BHD ; BHD-FC GBI ; GFI	KDV 210 KDVG210
										CAMPO DI PRESA gripping range (A)	CAMPO DI PRESA gripping range (A)	CAMPO DI PRESA gripping range (A)
43.20.11/MT1	48	38	17	23	M6	20	M12	1/16"x90°	0,56	66-100	60-100	60-88
43.20.12/MT1	"	"	"	"	"	"	"	"	0,58	95-125	85-125	88-115
43.20.13/MT1	"	"	"	"	"	"	"	"	0,43	125-155	115-155	115-145
43.20.14/MT1	"	"	"	"	"	"	"	"	0,41	155-185	145-185	145-175

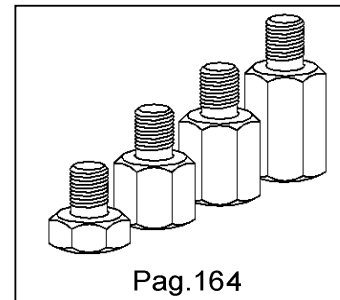
MANDRINI / chucks Ø 200 - 250

CODICE /code	B	C	D	F	G	H	DIN912	P	KG	GAMET Ø200-220		
										MAC200	DELTA210	MAC220
										CAMPO DI PRESA gripping range (A)	CAMPO DI PRESA gripping range (A)	CAMPO DI PRESA gripping range (A)
43.20.11/MT1	48	38	17	23	M6	20	M12	1/16"x90°	0,56	70-100	65-100	90-120
43.20.12/MT1	"	"	"	"	"	"	"	"	0,58	100-130	95-125	120-146
43.20.13/MT1	"	"	"	"	"	"	"	"	0,43	130-160	120-155	146-178
43.20.14/MT1	"	"	"	"	"	"	"	"	0,41	160-180	150-185	178-195



morsetti temprati per prese interne hardened jaws for internal grips

catalogo | catalogue



Pag.164

FORKARDT Ø160-175					ROHM Ø160-200		SCHUNK
NH-NHF160 KT160	NH-NHF175	KS-KSH160	KTH160	UVE160	KFD 160 KFD-HF 160	KFD-HS200	TH165-37 THF165-37
CAMPO DI PRESA gripping range (A)	CAMPO DI PRESA gripping range (A)	CAMPO DI PRESA gripping range (A)	CAMPO DI PRESA gripping range (A)	CAMPO DI PRESA gripping range (A)	CAMPO DI PRESA gripping range (A)	CAMPO DI PRESA gripping range (A)	CAMPO DI PRESA gripping range (A)
60-70	70-85	-	66-80	60-85	60-73	70-105	63-78
70-82	85-95	65-80	80-90	75-100	73-85	-	78-90
82-95	95-110	75-90	90-105	85-110	85-97	100-135	90-105
95-110	110-125	85-105	105-120	100-125	97-112	-	105-120
110-125	125-140	100-120	120-135	115-140	112-128	130-165	120-135
125-140	140-155	115-140	135-145	130-150	128-140	140-180	135-150

SMW/AUTOBLOK Ø200-210			BERG Ø200		FORKARDT Ø200			
GHD ; GHD-FC GHDN210	HFK210 HFKS200-48	BBD ; SP210 HFKS200-66	KF	KHFF	KG KT	KS NH-NHF	UVE	KTH
CAMPO DI PRESA gripping range (A)	CAMPO DI PRESA gripping range (A)	CAMPO DI PRESA gripping range (A)	CAMPO DI PRESA gripping range (A)	CAMPO DI PRESA gripping range (A)	CAMPO DI PRESA gripping range (A)	CAMPO DI PRESA gripping range (A)	CAMPO DI PRESA gripping range (A)	CAMPO DI PRESA gripping range (A)
60-100	60-95	74-100	60-80	60-85	60-85	60-88	66-95	75-90
95-125	90-120	100-130	80-110	85-115	85-110	88-115	95-125	104-120
120-155	115-155	130-160	100-135	115-145	110-140	115-145	125-155	132-145
150-185	145-185	160-185	130-170	145-175	140-170	145-170	155-180	162-175

ROHM Ø200-250			SCHUNK			SMW
KFD 200 KFD-HF200	KFL250	KFD-HS250	HSG200-66	TH210-52 THF210-52	HSG250-91	KDV250
CAMPO DI PRESA gripping range (A)	CAMPO DI PRESA gripping range (A)	CAMPO DI PRESA gripping range (A)	CAMPO DI PRESA gripping range (A)	CAMPO DI PRESA gripping range (A)	CAMPO DI PRESA gripping range (A)	CAMPO DI PRESA gripping range (A)
60-87	80-138	70-130	85-95	60-90	110-140	70-130
87-115	110-168	100-160	115-125	80-120	140-170	100-160
115-146	138-190	130-190	140-155	110-150	170-200	130-190
146-170	168-220	160-220	170-185	140-180	200-230	160-220

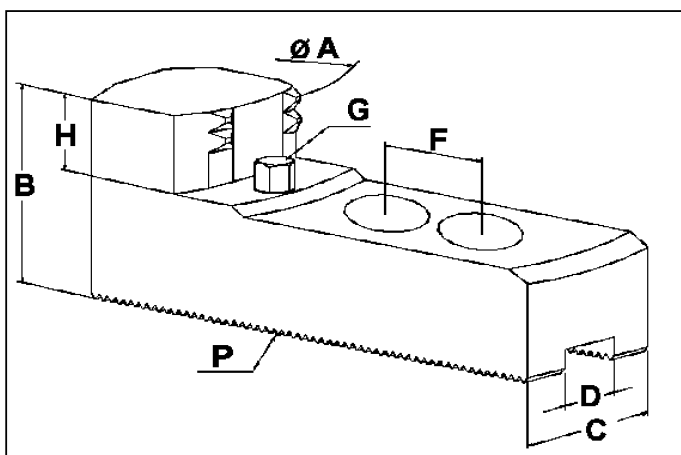
morsetti temprati per prese interne hardened jaws for internal grips

catalogo | catalogue

MATERIALE : ACCIAIO 18NiCrMo5 TEMPRATO
material : hardened steel 18NiCrMo5

DENTATURA / pitch: 1/16"x90°

MANDRINI / chucks
SMW/AUTOBLOK - CMT
BERG - FORKARDT
GAMET - ROHM - SCHUNK



MANDRINI / chucks Ø 250 - 315

CODICE /code	B	C	D	F	G	H	DIN912	P	KG	BERG	
										KH250	KH315
										CAMPO DI PRESA gripping range (A)	CAMPO DI PRESA gripping range (A)
40.25.13/MTI	58	48	16	29	M6	22	M16	1/16"x90°	1,34	95-125	125-180
40.25.14/MTI	"	"	"	"	"	"	"	"	1,15	125-150	155-210
40.25.15/MTI	"	"	"	"	"	"	"	"	1,09	150-175	180-235
40.25.16/MTI	"	"	"	"	"	"	"	"	0,90	175-200	205-260

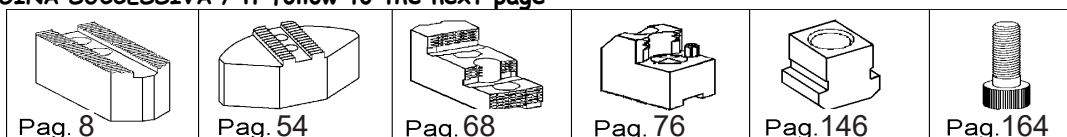
MANDRINI / chucks Ø 250

CODICE /code	B	C	D	F	G	H	DIN912	P	KG	SMW/AUTOBLOK-CMT Ø250			
										BBD	AND ; ALD BHD	HFKN-D260 HFK ; HFKS	SP280-92
										CAMPO DI PRESA gripping range (A)	CAMPO DI PRESA gripping range (A)	CAMPO DI PRESA gripping range (A)	CAMPO DI PRESA gripping range (A)
43.31.21/MTI	58	48	21	30	M8	25	M16	1/16"x90°	1,23	85-105	-	-	90-120
43.25.17/MTI	"	"	"	"	"	"	"	"	1,16	100-135	90-125	90-125	120-160
43.25.18/MTI	"	"	"	"	"	"	"	"	1,10	135-172	125-165	125-165	160-195
43.25.19/MTI	"	"	"	"	"	"	"	"	0,81	172-213	165-205	165-205	195-235
43.25.20/MTI	"	"	"	"	"	"	"	"	0,80	213-245	205-245	205-245	235-275

MANDRINI / chucks Ø 315 *

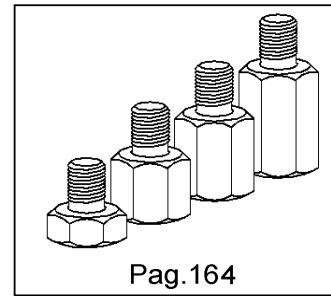
CODICE /code	B	C	D	F	G	H	DIN912	P	KG	SMW/AUTOBLOK-CMT Ø315			
										ALD 315 AND 315	BHD ; HFK GFI	BBD	HFKN-D315-91
										CAMPO DI PRESA gripping range (A)	CAMPO DI PRESA gripping range (A)	CAMPO DI PRESA gripping range (A)	CAMPO DI PRESA gripping range (A)
43.31.21/MTI	58	48	21	30	M8	25	M16	1/16"x90°	1,23	85-150	90-150	120-160	105-135
43.25.17/MTI	"	"	"	"	"	"	"	"	1,16	-	-	145-185	135-170
43.25.18/MTI	"	"	"	"	"	"	"	"	1,10	140-220	150-230	185-220	170-210
43.25.19/MTI	"	"	"	"	"	"	"	"	0,81	-	-	220-260	210-250
43.25.20/MTI	"	"	"	"	"	"	"	"	0,80	220-300	230-300	260-300	250-300

* SEGUE PAGINA SUCCESSIVA / it follow to the next page



morsetti temprati per prese interne hardened jaws for internal grips

catalogo | catalogue



	BERG Ø250		FORKARDT Ø250			GAMET Ø250-260			ROHM
	KF250	KHFF250	KG ; KLNC	KSH	KT ; NH NHFF250	DELTA250	MAC250	DELTA260	KFD 250 KFD-HF
	CAMPO DI PRESA gripping range (A)	CAMPO DI PRESA gripping range (A)	CAMPO DI PRESA gripping range (A)	CAMPO DI PRESA gripping range (A)	CAMPO DI PRESA gripping range (A)	CAMPO DI PRESA gripping range (A)	CAMPO DI PRESA gripping range (A)	CAMPO DI PRESA gripping range (A)	CAMPO DI PRESA gripping range (A)
	-	-	-	-	-	-	-	85-105	-
	85-110	85-120	85-110	85-120	85-110	85-95	106-120	100-130	90-125
	100-150	120-155	100-150	120-160	110-150	90-120	145-160	130-170	125-165
	125-190	155-195	140-190	160-220	150-190	120-160	180-200	170-210	165-205
	165-225	195-230	180-230	200-240	190-230	160-200	220-240	210-240	205-230

	SMW/AUTOBLOK Ø315			BERG Ø315	
	SP350-115	SP350-115ES	KDV	KF	KHFF
	CAMPO DI PRESA gripping range (A)	CAMPO DI PRESA gripping range (A)	CAMPO DI PRESA gripping range (A)	CAMPO DI PRESA gripping range (A)	CAMPO DI PRESA gripping range (A)
	110-180	120-180	-	-	85-145
	140-220	150-220	85-175	85-165	-
	180-260	190-260	120-210	105-205	140-220
	220-300	230-300	-	-	-
	260-340	270-340	195-290	170-285	220-290

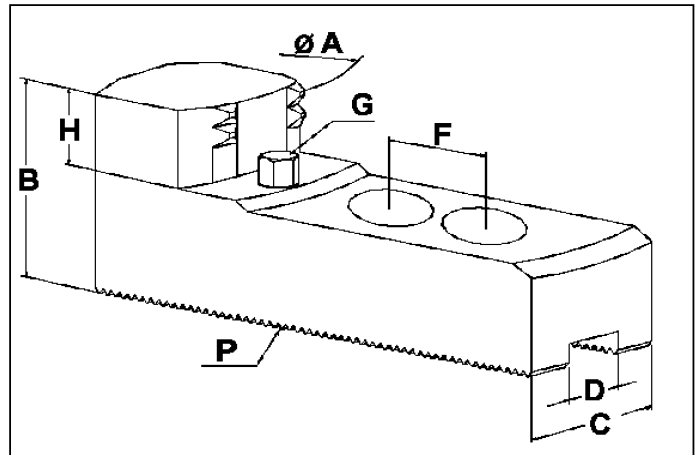
morsetti temprati per prese interne hardened jaws for internal grips

catalogo | catalogue

MATERIALE : ACCIAIO 18NiCrMo5 TEMPRATO
material : hardened steel 18NiCrMo5

DENTATURA / pitch: 1/16"x90°

MANDRINI / chucks
SMW/AUTOBLOK - CMT
BERG - FORKARDT
GAMET - ROHM - SCHUNK

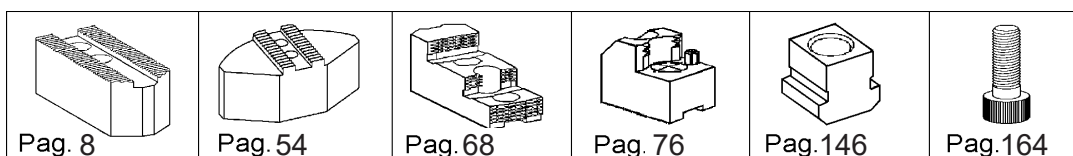


MANDRINI / chucks Ø 250 - 320

CODICE /code	B	C	D	F	G	H	DIN912	P	KG	FORKARDT Ø315			
										KLNC	KG ; KS	KT	NH/NHF
										CAMPO DI PRESA gripping range (A)	CAMPO DI PRESA gripping range (A)	CAMPO DI PRESA gripping range (A)	
43.31.21/MTI	58	48	21	30	M8	25	M16	1/16"x90°	1,23	85-145	85-145	85-155	
43.25.17/MTI	"	"	"	"	"	"	"	"	1,16	-	-	-	
43.25.18/MTI	"	"	"	"	"	"	"	"	1,10	100-210	120-210	140-215	
43.25.19/MTI	"	"	"	"	"	"	"	"	0,81	-	-	-	
43.25.20/MTI	"	"	"	"	"	"	"	"	0,80	180-290	200-290	215-295	

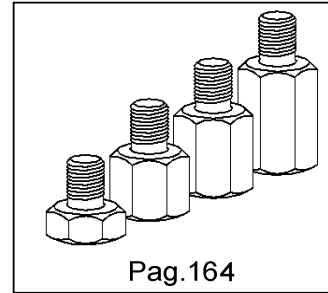
MANDRINI / chucks Ø 400

CODICE /code	B	C	D	F	G	H	DIN912	P	KG	SMW/AUTOBLOK Ø400			
										GHD FC	GHD FC	HDN-FC	HYDS
										CAMPO DI PRESA gripping range (A)	CAMPO DI PRESA gripping range (A)	CAMPO DI PRESA gripping range (A)	
43.40.22/MTI	58	48	21	30	M8	25	M16	1/16"x90°	1,50	140-220	105-220	145-240	
43.25.18/MTI	"	"	"	"	"	"	"	"	1,10	220-300	185-280	225-305	
43.25.20/MTI	"	"	"	"	"	"	"	"	0,80	300-380	265-370	305-390	



morsetti temprati per prese interne hardened jaws for internal grips

catalogo | catalogue



	FORKARDT Ø315		GAMET Ø315-320		ROHM Ø315		SCHUNK Ø250-315		
	KSH	UVE	MAC315	DELTA320	KFD KFD-HS	KFD-HF KFL	TH250-71 THF250-71	HSG315-108	TH315-86 THF315-86
	CAMPO DI PRESA gripping range (A)	CAMPO DI PRESA gripping range (A)	CAMPO DI PRESA gripping range (A)	CAMPO DI PRESA gripping range (A)	CAMPO DI PRESA gripping range (A)	CAMPO DI PRESA gripping range (A)	CAMPO DI PRESA gripping range (A)	CAMPO DI PRESA gripping range (A)	CAMPO DI PRESA gripping range (A)
	85-155	90-160	115-145	90-155	85-140	85-145	-	115-185	85-150
	-	-	145-180	-	-	-	90-125	-	-
	150-220	160-230	180-220	155-230	135-215	145-225	125-160	185-260	150-225
	-	-	220-260	-	-	-	160-200	-	-
	220-230	230-300	260-295	230-300	215-285	225-290	200-240	260-330	225-300

	FORKARDT Ø400			ROHM
	KS	KSH	NH/NHF	KFL
	CAMPO DI PRESA gripping range (A)	CAMPO DI PRESA gripping range (A)	CAMPO DI PRESA gripping range (A)	CAMPO DI PRESA gripping range (A)
	100-220	100-230	120-230	100-200
	110-290	180-295	190-300	150-280
	190-370	250-380	270-375	220-360

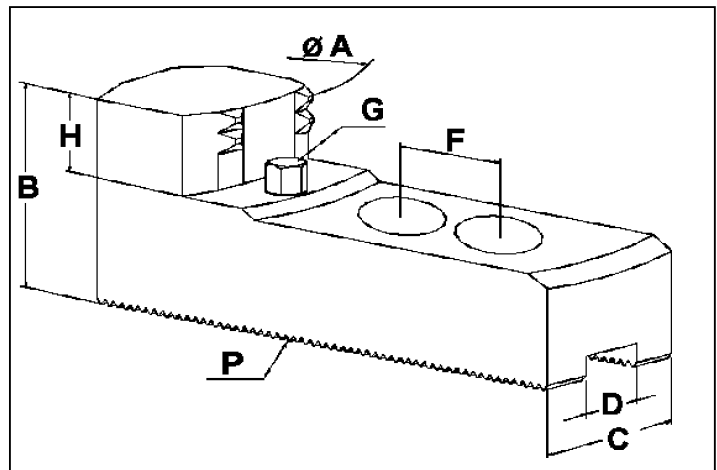
morsetti temprati per prese interne hardened jaws for internal grips

catalogo | catalogue

MATERIALE : ACCIAIO 18NiCrMo5 TEMPRATO
material : hardened steel 18NiCrMo5

DENTATURA / pitch: 3/32"x90°

MANDRINI / chucks
SMW/AUTOBLOK - CMT
BERG - FORKARDT
GAMET - ROHM - SCHUNK



MANDRINI / chucks Ø 400

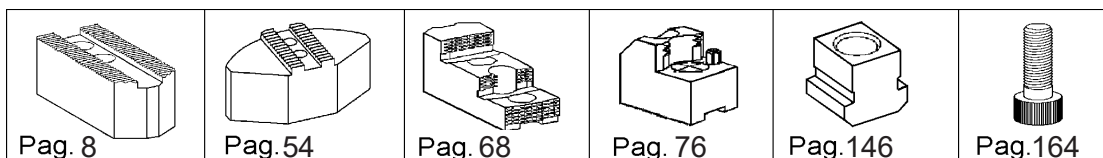
CODICE /code	B	C	D	F	G	H	DIN912	P	KG	SMW/AUTOBLOK Ø400		BERG	
										ALD	BHD 400	HFK	HFKS
										AND			KF
										CAMPO DI PRESA gripping range (A)	CAMPO DI PRESA gripping range (A)	CAMPO DI PRESA gripping range (A)	CAMPO DI PRESA gripping range (A)
43.40.27/MTI	78	58	25,5	38	M8	33	M20	3/32"x90°	2,77	100-170	100-180	100-180	100-160
43.40.28/MTI	"	"	"	"	"	"	"	"	2,34	170-250	180-260	180-260	135-250
43.40.29/MTI	"	"	"	"	"	"	"	"	1,72	250-335	260-335	260-345	215-330
43.40.30/MTI	"	"	"	"	"	"	"	"	2,40	335-400	335-410	345-410	300-410

MANDRINI / chucks Ø 450-500

CODICE /code	B	C	D	F	G	H	DIN912	P	KG	SMW/AUTOBLOK Ø500			
										BHD450	GHD500	ILD 500 BHD/FC500	HFKN-D500
										CAMPO DI PRESA gripping range (A)	CAMPO DI PRESA gripping range (A)	CAMPO DI PRESA gripping range (A)	CAMPO DI PRESA gripping range (A)
43.50.26/MTI	78	58	25,5	38	M8	33	M20	3/32"x90°	3,13	130-220	200-270	145-270	130-270
43.40.28/MTI	"	"	"	"	"	"	"	"	2,34	180-290	270-355	225-350	205-350
43.40.29/MTI	"	"	"	"	"	"	"	"	1,72	260-380	355-440	315-430	285-430
43.40.30/MTI	"	"	"	"	"	"	"	"	2,40	345-460	440-500	385-520	370-520

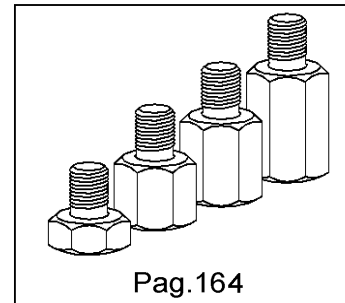
MANDRINI / chucks Ø 600 - 640

CODICE /code	B	C	D	F	G	H	DIN912	P	KG	SMW/AUTOBLOK			
										GHD610	BHD 630	GHD640	BHD-FC 630
										CAMPO DI PRESA gripping range (A)	CAMPO DI PRESA gripping range (A)	CAMPO DI PRESA gripping range (A)	CAMPO DI PRESA gripping range (A)
43.50.26/MTI	78	58	25,5	38	M8	33	M20	3/32"x90°	3,13	260-380	230-380	290-380	180-380
43.40.28/MTI	"	"	"	"	"	"	"	"	2,34	340-460	340-460	370-460	280-460
43.40.29/MTI	"	"	"	"	"	"	"	"	1,72	420-540	420-560	450-560	360-550
43.40.30/MTI	"	"	"	"	"	"	"	"	2,40	510-620	500-630	540-620	440-630



morsetti temprati per prese interne hardened jaws for internal grips

catalogo | catalogue



Pag.164

	BERG	FORKARDT Ø400				ROHM Ø400			SCHUNK	
	KHF KHFF	KLNC	KG KT	NH	NHF	UVE	KFD	KFD-HF KFD- HS	HSG400-126	THF400-120
	CAMPO DI PRESA gripping range (A)	CAMPO DI PRESA gripping range (A)	CAMPO DI PRESA gripping range (A)	CAMPO DI PRESA gripping range (A)	CAMPO DI PRESA gripping range (A)	CAMPO DI PRESA gripping range (A)	CAMPO DI PRESA gripping range (A)	CAMPO DI PRESA gripping range (A)	CAMPO DI PRESA gripping range (A)	CAMPO DI PRESA gripping range (A)
	100-165	100-170	100-170	100-170	100-170	100-180	100-180	100-180	100-185	125-205
	165-250	120-250	140-250	170-250	180-260	180-260	180-260	180-260	185-265	205-285
	245-330	200-330	220-330	250-330	260-345	260-345	260-345	260-345	265-345	285-370
	330-410	280-410	300-410	330-410	345-420	345-420	345-420	345-420	345-425	370-450

	BERG	FORKARDT Ø500			ROHM Ø500		SCHUNK	
	KF500 KHFF500	NH/NHF500	KG500	KLNC 500 KS ; KT500	KFD 500 KFD-HS	KFD-HF500	HSG500-165	TH500-160 THF500-160
	CAMPO DI PRESA gripping range (A)	CAMPO DI PRESA gripping range (A)	CAMPO DI PRESA gripping range (A)	CAMPO DI PRESA gripping range (A)	CAMPO DI PRESA gripping range (A)	CAMPO DI PRESA gripping range (A)	CAMPO DI PRESA gripping range (A)	CAMPO DI PRESA gripping range (A)
	130-260	130-250	130-260	130-260	130-260	150-260	130-270	160-260
	190-340	200-320	170-320	140-320	180-330	220-330	220-340	240-330
	270-410	280-400	250-400	220-400	260-420	300-420	300-420	320-410
	260-500	360-500	330-500	300-500	350-500	390-500	380-510	400-500

	AUTOBLOK	BERG Ø630		FORKARDT		ROHM
	ILD630	KF630	KHFF630	KSH630 NH/NHF630	KS630	KFD-HF630
	CAMPO DI PRESA gripping range (A)	CAMPO DI PRESA gripping range (A)	CAMPO DI PRESA gripping range (A)	CAMPO DI PRESA gripping range (A)	CAMPO DI PRESA gripping range (A)	CAMPO DI PRESA gripping range (A)
	145-380	130-390	150-380	150-380	130-380	150-380
	220-460	180-460	220-440	220-450	140-450	220-440
	300-560	260-540	300-520	300-540	220-540	300-520
	385-640	350-630	390-610	390-630	300-630	390-610

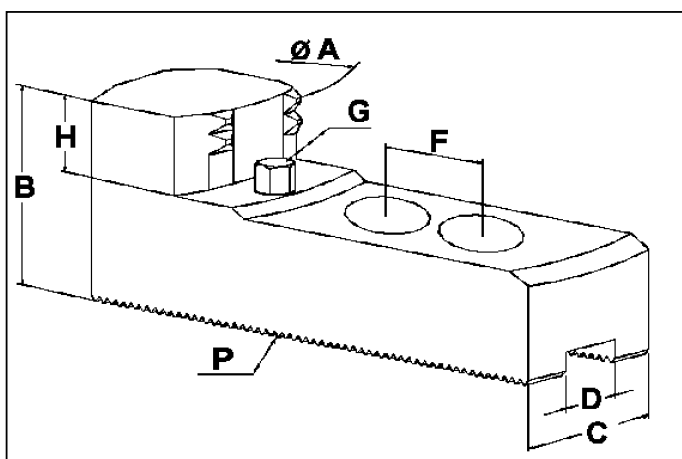
morsetti temprati per prese interne hardened jaws for internal grips

catalogo | catalogue

MATERIALE : ACCIAIO 18NiCrMo5 TEMPRATO
material : hardened steel 18NiCrMo5

DENTATURA / pitch: 1,5"x60°

MANDRINI / chucks
SMW/AUTOBLOK (METRICO / metric)
CMT (METRICO / metric)
HOWA - KITAGAWA
AUTOSTRONG-SAMCHULLY-SEOAM



MANDRINI / chucks Ø 165 - 175

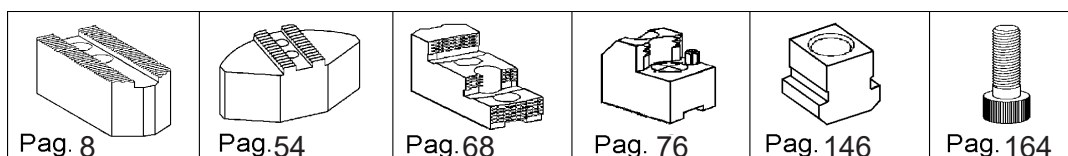
CODICE /code	B	C	D	F	G	H	DIN912	P	KG	SMW/AUTOBLOK - CMT		
										ALM165	BBM175	BHM165 GBM ; GFM165
										CAMPO DI PRESA gripping range (A)	CAMPO DI PRESA gripping range (A)	CAMPO DI PRESA gripping range (A)
44.16.01/MTI	48	29	12	20	M6	20	M10	1,5x60°	0,40	55-65	55-70	55-65
44.16.02/MTI	48	38	12	20	M6	20	M10	1,5x60°	0,54	65-80	65-85	65-80
44.16.03/MTI	"	"	"	"	"	"	"	"	0,55	80-100	80-105	80-100
44.16.04/MTI	"	"	"	"	"	"	"	"	0,46	100-120	100-125	100-120

MANDRINI / chucks Ø 210

CODICE /code	B	C	D	F	G	H	DIN912	P	KG	SMW/AUTOBLOK - CMT		
										ALM210 ANM210	BBM210	BHM210 GBM ; GFM210
										CAMPO DI PRESA gripping range (A)	CAMPO DI PRESA gripping range (A)	CAMPO DI PRESA gripping range (A)
44.21.05/MTI	48	38	14	25	M6	20	M12	1,5x60°	0,60	65-90	70-90	60-85
44.21.06/MTI	"	"	"	"	"	"	"	"	0,67	85-115	90-115	80-110
44.21.07/MTI	"	"	"	"	"	"	"	"	0,57	110-140	115-140	100-135
44.21.08/MTI	"	"	"	"	"	"	"	"	0,45	135-165	140-165	130-160

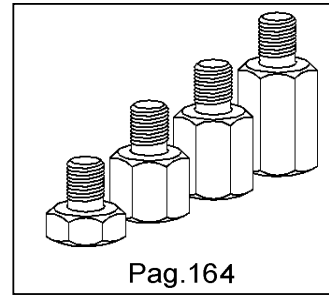
MANDRINI / chucks Ø 210

CODICE /code	B	C	D	F	G	H	DIN912	P	KG	HOWA	
										HO22M8	HO27M8
										CAMPO DI PRESA gripping range (A)	CAMPO DI PRESA gripping range (A)
44.21.11/MTI	48	38	16	25	M6	20	M12	1,5x60°	0,60	60-85	60-85
44.21.12/MTI	"	"	"	"	"	"	"	"	0,66	85-105	85-105
44.21.13/MTI	"	"	"	"	"	"	"	"	0,57	105-135	95-135
44.21.14/MTI	"	"	"	"	"	"	"	"	0,45	135-160	120-160



morsetti temprati per prese interne hardened jaws for internal grips

catalogo | catalogue



HOWA Ø165			KITAGAWA Ø165-170		
HO1MA6	HO27M6	HO22M6 HO37M6	B206 HOH206	B160 B06	N06 N160
CAMPO DI PRESA gripping range (A)	CAMPO DI PRESA gripping range (A)	CAMPO DI PRESA gripping range (A)	CAMPO DI PRESA gripping range (A)	CAMPO DI PRESA gripping range (A)	CAMPO DI PRESA gripping range (A)
55-65	55-65	55-65	55-70	55-70	55-70
70-80	65-80	65-80	70-85	70-85	70-85
90-100	80-100	80-100	85-105	85-100	85-105
110-120	100-120	100-120	100-120	95-115	100-120

HOWA	KITAGAWA Ø210		
HO23M8	B208 HOH208	B08	N08
CAMPO DI PRESA gripping range (A)	CAMPO DI PRESA gripping range (A)	CAMPO DI PRESA gripping range (A)	CAMPO DI PRESA gripping range (A)
60-95	60-90	60-85	66-85
90-110	85-115	80-110	85-110
105-145	110-145	100-130	110-135
135-160	130-160	120-160	135-160

morsetti temprati per prese interne hardened jaws for internal grips

catalogo | catalogue

MATERIALE : ACCIAIO 18NiCrMo5 TEMPRATO
material : hardened steel 18NiCrMo5

DENTATURA / pitch: 1,5"x60°

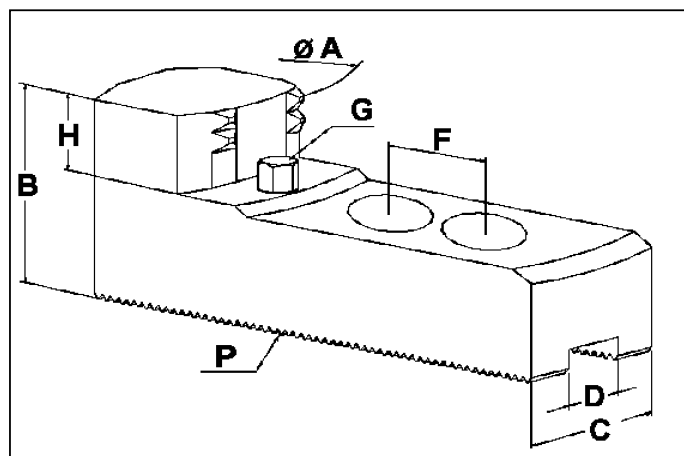
MANDRINI / chucks

SMW/AUTOBLOK (METRICO / metric)

CMT (METRICO / metric)

HOWA - KITAGAWA

AUTOSTRONG-SAMCHULLY-SEOAM



MANDRINI / chucks Ø 250 - 254

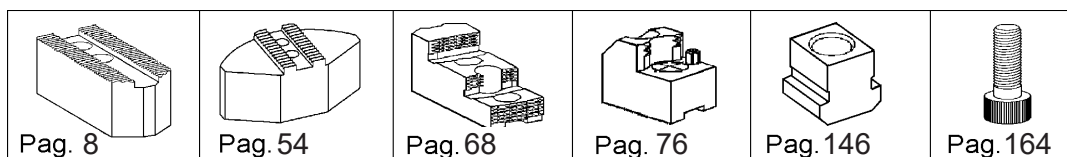
CODICE /code	B	C	D	F	G	H	DIN912	P	KG	SMW/AUTOBLOK - CMT		
										ALM250	ANM ; BHM250 GBM ; GFM250	BBM250
										CAMPO DI PRESA gripping range (A)	CAMPO DI PRESA gripping range (A)	CAMPO DI PRESA gripping range (A)
44.25.09/MTI	58	38	16	30	M6	25	M12	1,5x60°	0,90	70-115	70-110	80-120
44.25.10/MTI	"	"	"	"	"	"	"	"	0,86	110-155	110-150	120-160
44.25.11/MTI	"	"	"	"	"	"	"	"	0,73	150-205	150-200	160-200
44.25.12/MTI	"	"	"	"	"	"	"	"	0,64	190-240	190-235	200-235

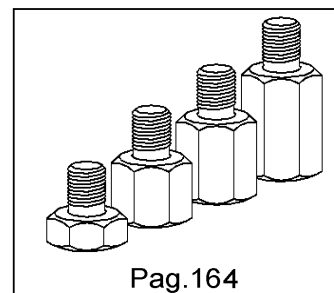
MANDRINI / chucks Ø 254

CODICE /code	B	C	D	F	G	H	DIN912	P	KG	HOWA	
										HO22M10	HO27M10
										CAMPO DI PRESA gripping range (A)	CAMPO DI PRESA gripping range (A)
44.25.15/MTI	58	38	18	30	M6	25	M14	1,5x60°	0,84	65-105	65-105
44.25.16/MTI	"	"	"	"	"	"	"	"	0,83	100-140	100-140
44.25.17/MTI	"	"	"	"	"	"	"	"	0,65	140-180	140-180
44.25.18/MTI	"	"	"	"	"	"	"	"	0,56	180-220	180-220

MANDRINI / chucks Ø 250 - 254

CODICE /code	B	C	D	F	G	H	DIN912	P	KG	KITAGAWA Ø254		
										B210 ; B10	HOH10	N10
										CAMPO DI PRESA gripping range (A)	CAMPO DI PRESA gripping range (A)	CAMPO DI PRESA gripping range (A)
44.25.09/MTI	58	38	16	30	M6	25	M12	1,5x60°	0,90	65-105	65-105	65-110
44.25.10/MTI	"	"	"	"	"	"	"	"	0,86	105-145	105-145	105-150
44.25.11/MTI	"	"	"	"	"	"	"	"	0,73	145-185	145-185	145-190
44.25.12/MTI	"	"	"	"	"	"	"	"	0,64	185-225	185-225	185-230





Pag.164

MANDRINI / chucks Ø 304

										KITAGAWA Ø304	
										B12 HOH12	N12
CODICE /code	B	C	D	F	G	H	DIN912	P	KG	CAMPO DI PRESA gripping range (A)	CAMPO DI PRESA gripping range (A)
44.30.13/MTI	58	48	18	30	M8	25	M14	1,5x60°	1,30	85-145	85-145
44.30.14/MTI	"	"	"	"	"	"	"	"	1,10	145-205	145-205
44.30.15/MTI	"	"	"	"	"	"	"	"	0,92	205-265	205-265
44.30.16/MTI	"	"	"	"	"	"	"	"	1,20	265-320	265-320

MANDRINI / chucks Ø 304 - 315

										SMW/AUTOBLOK - CMT			KITAGAWA
										ALM315 ANM315	BHM315 GBM ; GFM	BBM315	B212
CODICE /code	B	C	D	F	G	H	DIN912	P	KG	CAMPO DI PRESA gripping range (A)	CAMPO DI PRESA gripping range (A)	CAMPO DI PRESA gripping range (A)	CAMPO DI PRESA gripping range (A)
44.30.17/MTI	58	48	21	30	M8	25	M16	1,5x60°	1,24	90-160	100-160	130-160	85-145
44.30.18/MTI	"	"	"	"	"	"	"	"	1,0	145-220	160-220	190-220	145-205
44.30.19/MTI	"	"	"	"	"	"	"	"	0,85	205-285	220-285	250-285	205-265
44.30.20/MTI	"	"	"	"	"	"	"	"	1,20	265-345	280-345	310-345	265-320

MANDRINI / chucks Ø 381

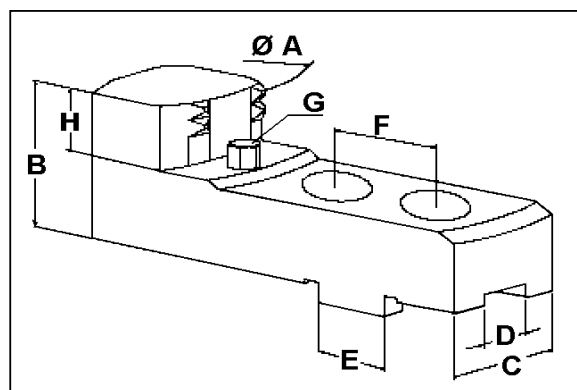
										KITAGAWA Ø381		
										B15 B380	HOH15 HOH380	HOH15K
CODICE /code	B	C	D	F	G	H	DIN912	P	KG	CAMPO DI PRESA gripping range (A)	CAMPO DI PRESA gripping range (A)	CAMPO DI PRESA gripping range (A)
44.38.21/MTI	78	58	22	43	M8	33	M20	1,5x60°	2,75	100-160	100-160	100-160
44.38.22/MTI	"	"	"	"	"	"	"	"	2,50	160-220	160-220	160-220
44.38.23/MTI	"	"	"	"	"	"	"	"	1,75	220-280	220-280	220-280
44.38.24/MTI	"	"	"	"	"	"	"	"	1,90	280-340	280-340	280-340
44.38.25/MTI	"	"	"	"	"	"	"	"	2,30	340-400	340-400	340-400

morsetti temprati per prese interne hardened jaws for internal grips

catalogo | catalogue

MATERIALE : ACCIAIO 18NiCrMo5 TEMPRATO
material : hardened steel 18NiCrMo5

INCASTRO A CROCE / tongue & groove



MANDRINI / chucks
SMW/AUTOBLOK
BERG - FORKARDT
ROHM - SCHUNK-SAMCHULLY

MANDRINI / chucks Ø 160 - 185

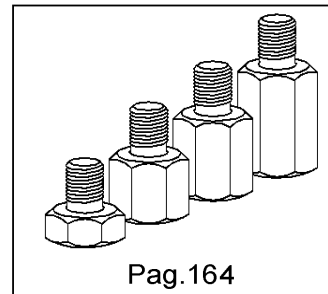
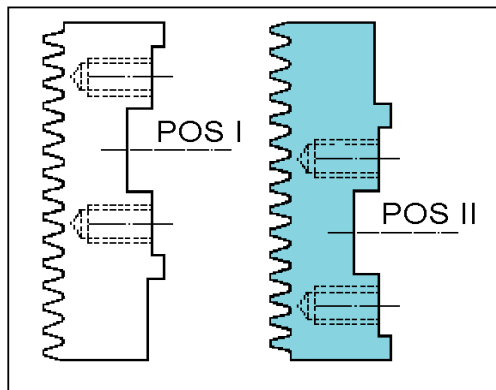
CODICE /code	B	C	D	E	F	G	H	DIN912	KG	SMW/AUTOBLOK		SCHUNK			
										KNCS175 KNCS-A175		KNCS-N 170		ROTA-G160	
										CAMPO DI PRESA gripping range (A)		CAMPO DI PRESA gripping range (A)		CAMPO DI PRESA gripping range (A)	
POS I	POS II	POS I	POS II	POS I	POS II										
49.16.67/MTIC	40	26	8	18	32	M6	20	M8	1,0	50-55 60-65		48-52 57-61 67-71			
49.16.68/MTIC	40	26	8	18	32	M6	20	M8	1,0	55-60 65-70		53-57 62-66 72-76		55-92	
49.16.69/MTIC	40	26	8	18	32	M6	20	M8	0,9	100-105 110-115 120-125	75-80 85-90 95-100 105-110	98-103 108-112 117-121 127-131 109-113	80-85 90-94 99-103	92-147	75-129
49.16.70/MTIC	40	26	8	18	32	M6	20	M8	0,9	105-110 115-120 125-130	80-85 90-95 100-105 110-115	103-108 113-117 122-126 132-136	85-90 95-99 104-108 114-118		

MANDRINI / chucks Ø 200 - 210

CODICE /code	B	C	D	E	F	G	H	DIN912	KG	SMW/AUTOBLOK		BERG			
										KNCS200 ; KNSP KNCS-A200		KNCS-N 210		KHNC200	
										CAMPO DI PRESA gripping range (A)		CAMPO DI PRESA gripping range (A)		CAMPO DI PRESA gripping range (A)	
POS I	POS II	POS I	POS II	POS I	POS II										
49.20.09/MTIC	45	30	10	20	40	M6	20	M8	1,8	58-63 68-73 78-83		62-67 72-76 81-85 91-95 100-104		60-65 70-75 80-85	
49.20.10/MTIC	45	30	10	20	40	M6	20	M8	1,8	63-68 73-78 83-88		67-72 77-81 86-90 96-100 105-109		65-70 75-80 85-90	
49.20.11/MTIC	45	30	10	20	40	M6	20	M8	1,4	123-128 133-138 143-148 153-158	84-89 94-99 104-109 114-119	113-117 123-127 132-136 141-146 151-155 160-164 170-174 179-183	94-99 104-108 113-117	120-125 130-135 140-145 150-155 160-165	86-91 96-101 106-111 116-121
49.20.12/MTIC	45	30	10	20	40	M6	20	M8	1,4	128-133 138-143 148-153 158-163	89-94 99-104 109-114 119-124	118-122 128-132 137-141 146-151 156-160 165-169 175-179 184-188	99-104 109-113 188-122 145-150 137-141 146-151	125-130 135-140 145-150 155-160 165-170	91-96 101-106 111-116 121-126

morsetti temprati per prese interne hardened jaws for internal grips

catalogo | catalogue



Pag.164

SCHUNK			
ROTA-S160		THW165R	
CAMPO DI PRESA gripping range (A)		CAMPO DI PRESA gripping range (A)	
POS I	POS II	POS I	POS II
		51-55 61-65	
56-93		56-60 66-70	
102-148	76-112	83-87 92-97 102-106 111-115	66-70 75-80 85-89 94-98
		88-92 97-102 107-111 116-120	71-75 80-85 90-94 99-103

FORKARDT		ROHM				SCHUNK							
F200 F+200		FNC200 ; KTNC KTNCV2005		DURO NC200		DURO200 DURO NCE200		ROTA-G160		ROTA-S160		THW165R	
CAMPO DI PRESA gripping range (A)		CAMPO DI PRESA gripping range (A)		CAMPO DI PRESA gripping range (A)		CAMPO DI PRESA gripping range (A)		CAMPO DI PRESA gripping range (A)		CAMPO DI PRESA gripping range (A)		CAMPO DI PRESA gripping range (A)	
POS I	POS II	POS I	POS II	POS I	POS II	POS I	POS II	POS I	POS II	POS I	POS II	POS I	POS II
55-90		55-60 65-70 75-80 85-90		63-68 73-78 83-88		59-64 69-74 79-84		59-113		64-110		52-57 61-67 70-76 80-86 89-95	
		60-65 70-75 80-85 90-95		68-73 78-83 88-93		64-69 74-79 84-89						57-63 66-72 75-81 85-91 94-100	
125-170	87-127	125-130 135-140 145-150 155-160 165-170	87-92 97-102 107-112 117-122	123-128 133-138 143-148 153-158 163-168	83-88 93-98 103-108 113-118	119-124 129-134 139-144 149-154 159-164	79-84 89-94 99-104 109-114	101-183	91-145	114-180	86-132	112-118 121-127 131-136 140-146 150-155 159-165	83-89 93-98 102-108 112-117 121-127
		130-135 140-145 150-155 160-165 170-175	92-97 102-107 112-117 122-127	128-133 138-143 148-153 158-163 168-173	88-93 98-103 108-113 118-123	124-129 134-139 144-149 154-159 164-169	84-89 94-99 104-109 114-119					117-123 126-132 136-142 145-151 155-160 164-170	88-94 98-103 107-113 117-122 126-132

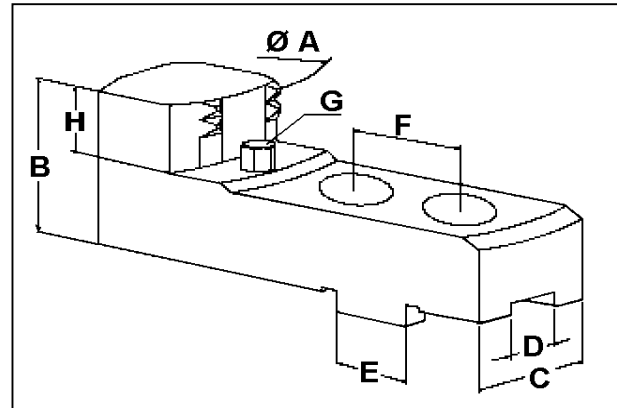
morsetti temprati per prese interne hardened jaws for internal grips

catalogo | catalogue

MATERIALE : ACCIAIO 18NiCrMo5 TEMPRATO
material : hardened steel 18NiCrMo5

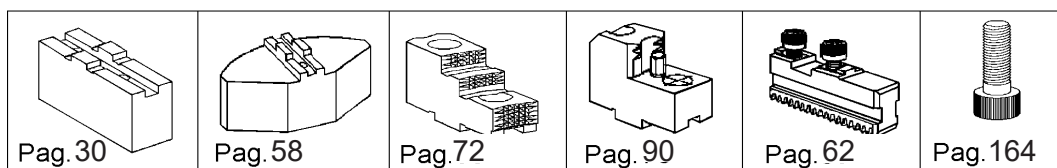
INCASTRO A CROCE / tongue & groove

MANDRINI / chucks
SMW/AUTOBLOK
BERG - FORKARDT
ROHM - SCHUNK-SAMCHULLY



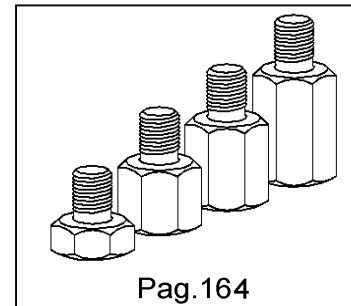
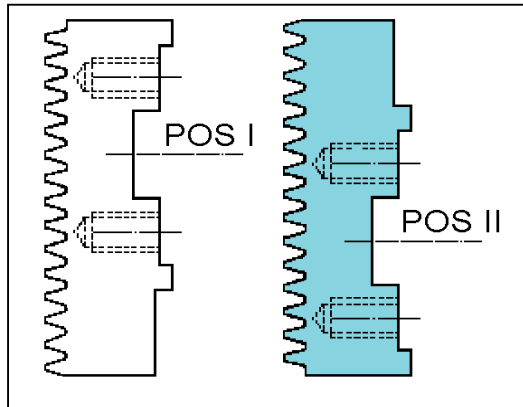
MANDRINI / chucks Ø 250 - 280

CODICE /code	B	C	D	E	F	G	H	DIN912	KG	SMW/AUTOBLOK		BERG			
										KNCS-A25 :HG250 KNCS250-260		KNCS-N 260		KHNC250	
										CAMPO DI PRESA gripping range (A)		CAMPO DI PRESA gripping range (A)		CAMPO DI PRESA gripping range (A)	
									POS I	POS II	POS I	POS II	POS I	POS II	
49.25.61/MTIC	50	40	12	20	40	M6	25	M12	2,8	81-87		71-76		80-86	
										92-98		82-87		92-98	
										103-109		93-98		104-110	
										114-120		104-109		116-122	
49.25.62/MTIC	50	40	12	20	40	M6	25	M12	2,8	126-131		115-120		128-134	
										127-132		126-131			
										133-138		137-142			
										139-144					
										145-150					
										151-156					
49.25.63/MTIC	50	40	12	20	40	M6	25	M12	1,9	87-93		77-82		86-92	
										94-100		88-93		98-104	
										101-107		99-104		110-116	
										108-114		105-115		122-128	
										115-121		121-126		134-140	
										122-128		135-137			
										129-135		143-148			
										136-142					
										143-149					
										150-156					
157-163															
49.25.64/MTIC	50	40	12	20	40	M6	25	M12	1,9	183-189	120-126	184-189	120-125	180-186	120-126
										190-196	131-137	195-200	131-136	192-198	132-138
										197-203	142-148	206-211	142-147	204-210	144-150
										204-210	153-159	217-222	153-158	216-222	156-162
										205-211	164-170	228-233	164-169	228-234	168-174
										212-218		239-244	175-180	240-246	
										213-219		250-255	196-191		
										214-220					
										215-221					
										216-222					
										217-223					
										218-224					
										219-225					
										220-226					
221-227															



morsetti temprati per prese interne hardened jaws for internal grips

catalogo | catalogue



Pag.164

		FORKARDT		ROHM		SCHUNK							
		F250 F+250	KTNC250-280 FNC250 ; KTNVC250	DURO250 ; DURONC250		ROTA-G250		ROTA-S250		THW250R	THW265R		
		CAMPO DI PRESA gripping range (A)		CAMPO DI PRESA gripping range (A)		CAMPO DI PRESA gripping range (A)		CAMPO DI PRESA gripping range (A)		CAMPO DI PRESA gripping range (A)			
		POS I	POS II	POS I	POS II	POS I	POS II	POS I	POS II	POS I	POS II		
		80-134		80-86 92-98 104-110 116-122 128-134		82-88 94-100 106-112 118-124 130-136		75-136		71-148		75-81 86-92 97-103 108-114 119-125 130-136	
				86-92 98-104 110-116 122-128 134-140		88-94 100-106 112-118 124-130 136-142						70-76 81-87 92-98 103-109 114-120 125-131 136-142	
		192-246	117-193	192-198 204-210 216-222 228-234 240-246	117-123 129-135 141-147 153-159 165-171 177-183 189-193	183-189 195-201 207-213 219-225 231-237 243-249	116-122 128-134 140-146 152-158 164-170 176-182	177-249	113-185	184-248	118-185	177-183 188-194 199-205 210-216 221-227 232-238 243-249	113-119 124-130 135-141 146-153 157-163 168-174 179-185
				198-204 210-216 222-228 234-240 246-252	123-129 135-141 147-153 159-165 171-177 183-189	189-195 201-207 213-219 225-231 237-243 249-255	122-128 134-140 146-152 158-164 170-176 182-188					183-189 194-200 205-211 216-222 227-233 238-244 249-255	119-125 130-136 141-147 153-158 163-169 174-180 185-191

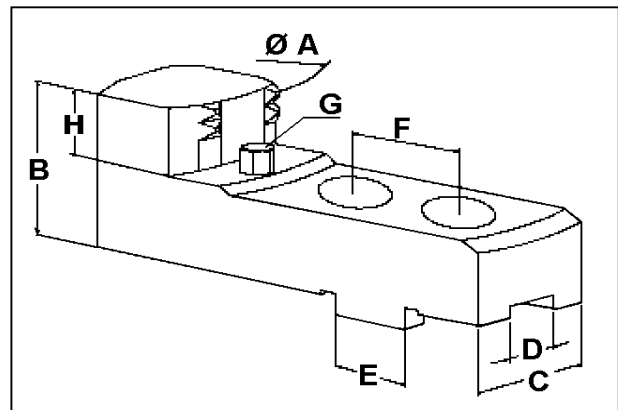
morsetti temprati per prese interne hardened jaws for internal grips

catalogo | catalogue

MATERIALE : ACCIAIO 18NiCrMo5 TEMPRATO
material : hardened steel 18NiCrMo5

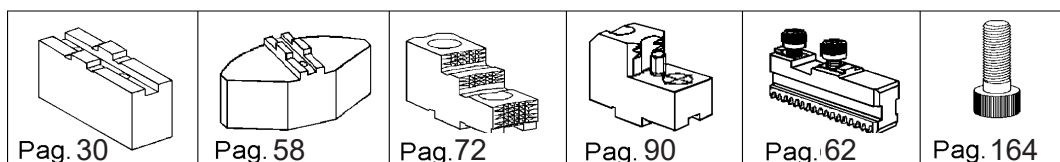
INCASTRO A CROCE / tongue & groove

MANDRINI / chucks
SMW/AUTOBLOK
BERG - FORKARDT
ROHM - SCHUNK-SAMCHULLY

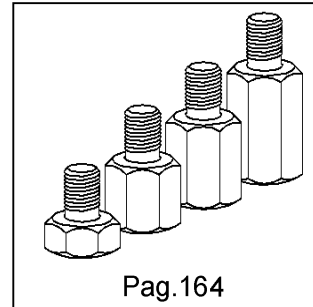
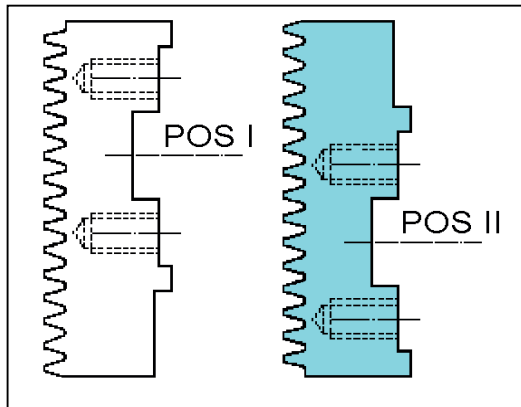


MANDRINI / chucks Ø 315

CODICE /code	B	C	D	E	F	G	H	DIN912	KG	SMW/AUTOBLOK		BERG													
										KNCS-A315 KNCS315 ; HG 315		KNCS-N 315		KHNC315											
										CAMPO DI PRESA gripping range (A)		CAMPO DI PRESA gripping range (A)		CAMPO DI PRESA gripping range (A)											
POS I	POS II	POS I	POS II	POS I	POS II																				
49.25.61/MTIC	50	40	12	20	40	M6	25	M12	2,8	81-87		104-111		80-86											
										92-98		115-122		92-98											
										103-109		126-133		104-110											
										114-120		137-144		116-122											
										125-131		148-155		128-134											
49.25.62/MTIC	50	40	12	20	40	M6	25	M12	2,8	87-93		110-117		86-92											
										98-104		121-128		98-104											
										109-115		132-139		110-116											
										120-126		143-150		122-128											
										131-137		154-161		134-140											
												165-172													
												176-183													
												187-194													
										49.25.63/MTIC	50	40	12	20	40	M6	25	M12	1,9	183-189	131-137	206-213	129-136	192-198	117-123
																				194-200	142-148	217-224	140-147	204-210	129-135
205-211	153-159	228-235	151-158	216-222	141-147																				
216-222	164-170	239-246	162-169	228-234	153-159																				
227-233	175-181	250-257	173-180	240-246	165-171																				
238-244		261-268	184-191	252-258	177-183																				
249-255		272-279	195-202	264-270	189-193																				
260-266		283-290	206-213	276-282																					
		294-301		288-294																					
49.25.64/MTIC	50	40	12	20	40	M6	25	M12	1,9											189-195	137-143	212-219	135-142	198-204	123-129
																				200-206	148-154	223-230	146-153	210-216	135-141
																				211-217	159-165	234-241	157-164	222-228	147-153
										222-228	170-176	245-252	168-175	234-240	159-165										
										233-239	181-187	256-263	179-186	246-252	171-177										
										244-250		267-274	190-197	258-264	183-189										
										255-261		278-285	201-208	270-276											
										266-272		289-296	212-219	282-288											
										277-283		300-307		294-300											
										288-294															



morsetti temprati per prese interne hardened jaws for internal grips



Pag.164

FORKARDT		ROHM		SCHUNK			
KTNC315 FNC315; KTNCV315		DURO NCE315		ROTA-G315		THW315R	
CAMPO DI PRESA gripping range (A)		CAMPO DI PRESA gripping range (A)		CAMPO DI PRESA gripping range (A)		CAMPO DI PRESA gripping range (A)	
POS I	POS II	POS I	POS II	POS I	POS II	POS I	POS II
80-86 92-98 104-110 116-122 128-134		82-88 94-100 106-112 118-124 130-136		93-176		93-99 104-110 115-121 126-132 137-143 148-154 159-165 170-176	
86-92 98-104 110-116 122-128 134-140		88-94 100-106 112-118 124-130 136-142				99-105 110-116 121-127 132-138 143-149 154-160 165-171 176-182	
192-198 204-210 216-222 228-234 240-246 252-258 264-270 276-282 288-294	117-123 129-135 141-147 153-159 165-171 177-183 189-193	183-189 195-201 207-213 219-225 231-237 243-249 255-261 267-273 279-285 291-297	116-122 128-134 140-146 152-158 164-170 176-182 188-194			206-212 217-223 228-234 239-245 250-256 261-267 272-278 283-289	118-124 129-135 140-146 151-157 162-168 173-179 184-190 195-201
198-204 210-216 222-228 234-240 246-252 258-264 270-276 282-288 294-300	123-129 135-141 147-153 159-165 171-177 183-189	189-195 201-207 213-219 225-231 237-243 249-255 261-267 273-279 285-291 297-303	122-128 134-140 146-152 158-164 170-176 182-188 194-200	212-295	124-207	212-218 223-229 234-240 245-251 256-262 267-273 278-284 289-295	124-130 135-141 146-152 157-163 168-174 179-185 190-196 201-207

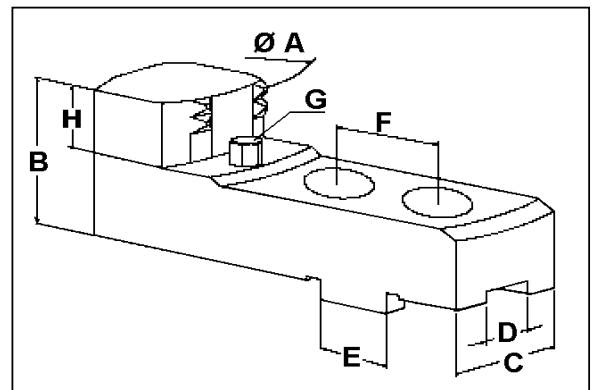
morsetti temprati per prese interne hardened jaws for internal grips

catalogo | catalogue

MATERIALE : ACCIAIO 18NiCrMo5 TEMPRATO
material : hardened steel 18NiCrMo5

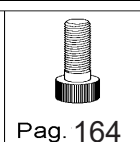
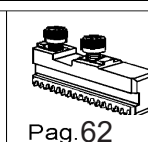
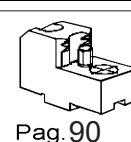
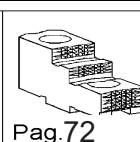
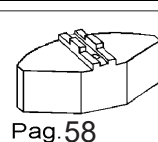
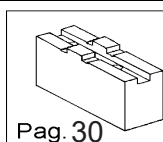
INCASTRO A CROCE / tongue & groove

MANDRINI / chucks
SMW/AUTOBLOK
BERG - FORKARDT
ROHM - SCHUNK-SAMCHULLY



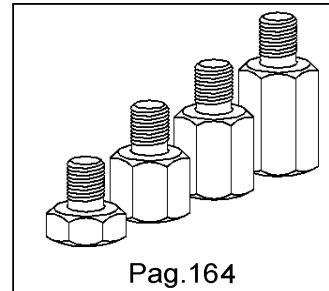
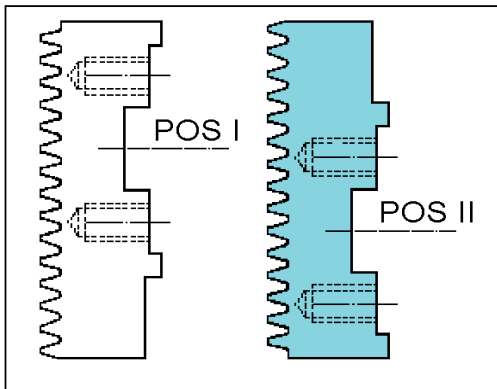
MANDRINI / chucks Ø 315 - 400

CODICE /code	B	C	D	E	F	G	H	DIN912	KG	AUTOBLOK		FORKARDT			
										KNCS400 KNCS-A400		F315 F+315		KTNC360	
										CAMPO DI PRESA gripping range (A)		CAMPO DI PRESA gripping range (A)		CAMPO DI PRESA gripping range (A)	
POS I	POS II	POS I	POS II	POS I	POS II										
49.31.19/MTIC	53	40	12	26	54	M8	25	M12	3,9	100-108 111-119 122-130 133-141 144-152 155-163 166-174		102-168		102-112 116-126 130-140 144-154 158-168	
49.31.20/MTIC	53	40	12	26	54	M8	25	M12	4,0	108-116 119-127 130-138 141-149 152-160 163-171 174-182				110-120 124-134 138-148 152-162 166-176	
49.31.21/MTIC	53	40	12	26	54	M8	25	M12	2,7	200-208 211-219 222-230 233-241 244-252 255-263 266-274 277-285 288-296 299-307 310-318 321-329	144-152 155-163 166-174 177-185 188-196 199-207 210-218 221-229 232-240	202-282	136-230	202-212 216-226 230-240 244-254 258-268 272-282	136-146 150-160 164-174 178-188 192-202 206-216
49.31.22/MTIC	53	40	12	26	54	M8	25	M12	2,7	208-216 219-227 230-238 241-249 252-260 263-271 274-282 285-293 296-304 307-315 318-326 329-337	152-160 163-171 174-182 185-193 196-204 207-215 218-226 229-237 240-248			210-220 224-234 238-248 252-262 266-276 280-290	144-154 158-168 172-182 186-196 200-210 214-224 228-238



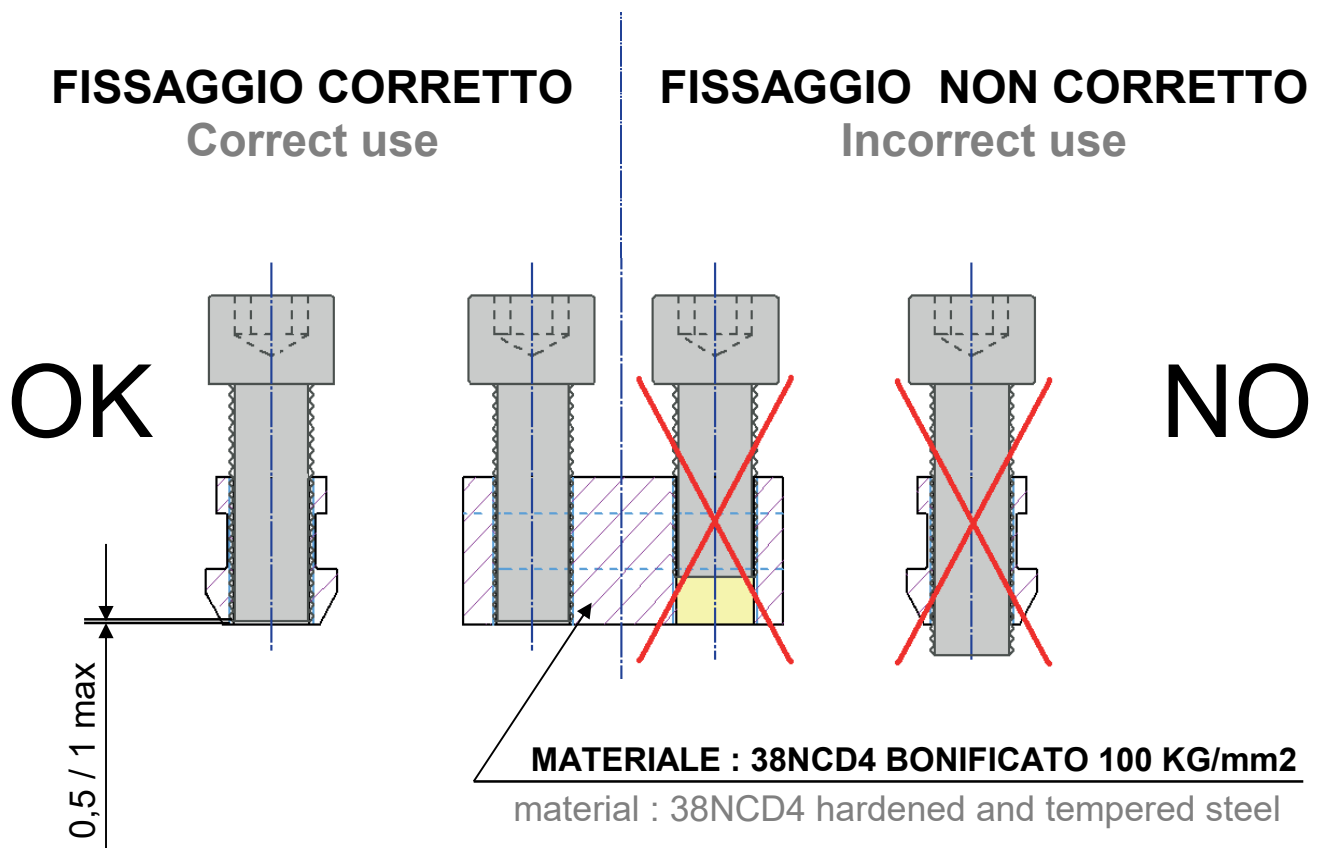
morsetti temprati per prese interne hardened jaws for internal grips

catalogo | catalogue



Pag.164

FORKARDT		ROHM				SCHUNK					
KTNC400 FNC400 ; KTNCV400		DURO315 DURO NC315		DURO NCE400		ROTA-G400		ROTA-S315		THW400R	
CAMPO DI PRESA gripping range (A)		CAMPO DI PRESA gripping range (A)		CAMPO DI PRESA gripping range (A)		CAMPO DI PRESA gripping range (A)		CAMPO DI PRESA gripping range (A)		CAMPO DI PRESA gripping range (A)	
POS I	POS II	POS I	POS II	POS I	POS II	POS I	POS II	POS I	POS II	POS I	POS II
107-117 121-131 135-145 149-159 163-173 177-187		102-112 116-126 130-140 144-154 158-168		139-147 153-161 167-175 181-189 195-203		127-240		98-176		102-108 113-119 124-130 135-141 146-152 157-163 168-174 179-185 190-196	
115-125 129-139 143-153 157-167 171-181 185-195		110-120 124-134 138-148 152-162 166-176		147-155 161-169 175-183 189-197 203-211						110-116 121-127 132-138 143-149 154-160 165-171 176-182 187-193 198-204	
207-217 221-231 235-245 249-259 263-273 277-287 291-301 305-315 319-329 333-343 347-357	141-151 155-165 169-179 183-193 197-207 211-221 225-235 239-249 253-263	202-212 216-226 230-240 244-254 258-268 272-282	136-146 150-160 164-174 178-188 192-202 206-216 220-230	239-247 253-261 267-275 281-289 295-303 309-317 323-331 337-345 351-359	189-197 203-211 217-225 231-239 245-253 259-267 273-281	228-352	150-274			202-208 213-219 224-230 235-241 246-252 257-263 268-274 279-285 290-296 301-307 312-318 323-329	135-141 146-152 157-163 168-174 179-185 190-196 201-207 212-218 223-229 234-240 245-251
215-225 229-239 243-253 257-267 271-281 285-295 299-309 315-325 327-337 331-351 355-365	149-159 163-173 177-187 191-201 205-215 219-229 233-243 247-257 261-271	210-220 224-234 238-248 252-262 266-276 280-290	144-154 158-168 172-182 186-196 200-210 214-224 228-238	247-255 261-269 275-283 289-297 303-311 317-325 331-339 345-353 359-367	197-205 211-219 225-233 239-247 253-261 267-275 281-289			190-299	158-222	210-216 221-227 232-238 243-249 254-260 265-271 276-282 287-293 298-304 309-315 320-326 331-337	143-149 154-160 165-171 176-182 187-193 198-204 209-215 220-226 231-237 242-248 253-259



N.B: LE VITI DI FISSAGGIO NON VANNO MAI BLOCCATE ECCESSIVAMENTE,
SI RACCOMANDA L'UTILIZZO DI UNA CHIAVE DINAMOMETRICA TARATA CON
LE COPPIE DI SERRAGGIO DI SEGUITO RIPORTATE:

note: Never tighten the mounting screws too much,
it is advisable to use a torque wrench set according to the clamping couples
shown in the following table:

CLASSE / class 8.8		CLASSE / class 12.9	
Ø N	M (Nm)	Ø N	M (Nm)
M5	5,7	M12	77
M6	9,5	M16	190
M8	23	M20	370
M10	45	M24	640

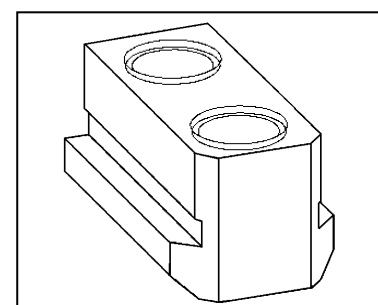
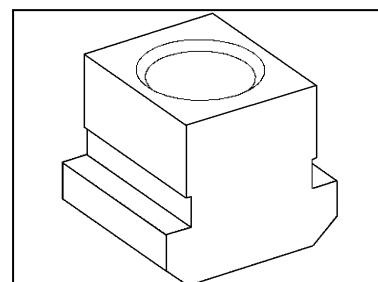
Ø N = Diametro nominale della vite
Ø N = Screws nominal diameters

M = Coppia di serraggio
M = Tighten torque

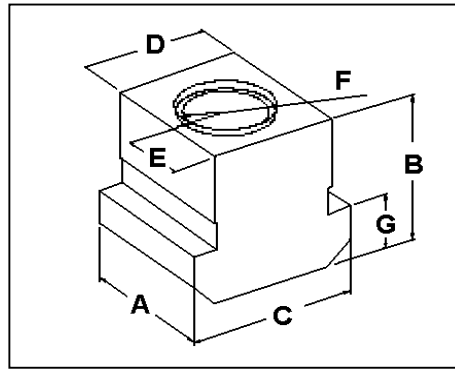
MANDRINO / chuck

PAG.

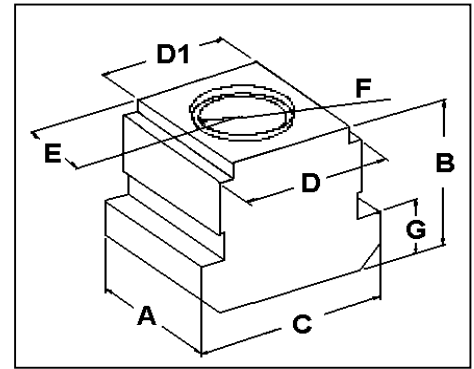
AUTOBLOK	146-149
BERG	150
CMT	151
FORKARDT	152
HOWA	153
KITAGAWA	154
MATSUMOTO	153
AUTOSTRONG	154
SAMCHULLY	154
SEOAM	154
M.P.T.-PINTO	155
ROHM	156



MATERIALE / material :
38NCD4



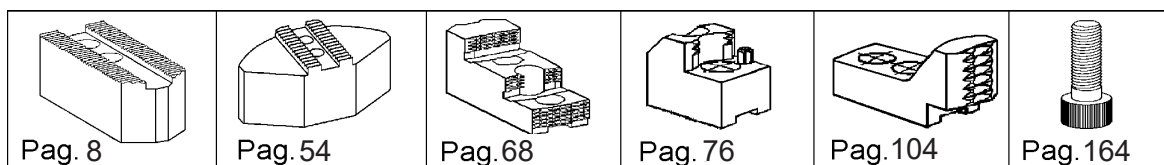
TIPO / type I



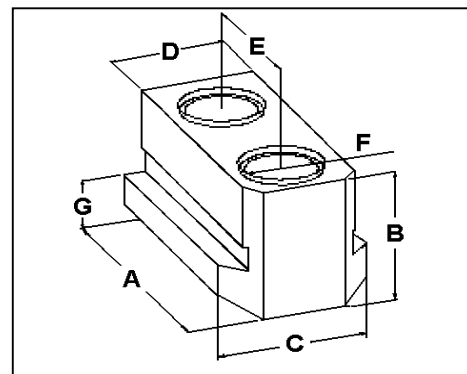
TIPO / type II

MANDRINI / chucks : AUTOBLOK

CODICE /code	Ø MAND / chuck	TIPO	A	B	C	D	D1	E	F	G	KG	SERIE / model
1002/AT	125-150	I	15	15	17	12	-	7,5	M8	6,5	0,02	BHD130;HBD130;PBD130 BBD140;BHM130;HBM130
1003/AT	165-180	I	15,5	20	20	14	-	7,75	M10	7,5	0,03	GHD/FC165;GHDN165 HDB170;HDL170;HDN170
1004/AT	200-220	I	20	22	22,5	17	-	10	M12	8	0,05	CD200;GHD-FC210;GHDN210 HDL200;HDN200-220
1005/AT	250-400	I	25	25	29	21	-	12,5	M16	11	0,08	2CLD200;HDN/FC400;GHD400 GHD/FC250;GHDN400
1005/AT 21-17	250-400	II	25	25	29	21	17	12,5	M12	11	0,06	GHM400;CD250
1006/AT	500	I	34	34	36	28	-	17	M20	15	0,21	GHD500;GHDN500
1006/AT 28-25,5	500	II	34	34	36	28	25,5	17	M20	15	0,18	
1007/AT	400-800	I	30	34	35	25,5	-	15	M20	15	0,19	CLD250-315;AND400-450 ALD400-450;BHD400-800 BHD/FC400-630 HYDL400-450;HYDN400-450
1007/AT 25,5-21	400-630	II	30	34	35	25,5	21	15	M16	15	0,16	HDN500;HDN/FC630 RCD500;GHD500 ANM400;ALM400;ICN500 IND500;ICL500;ILD500
1008/AT	500-800	I	32	40	40	28	-	16	M20	15,5	0,21	GHD610;GHDN610;GHD640 GHDN640;ILD630;ILD800 IND630;IND800;ICN630
1008/AT 28-25,5	500-800	II	32	40	40	28	25,5	16	M20	15,5	0,18	ICN800;ICL630;ICL800 HYDS500;HYDS550 HYDS630;HYDS800

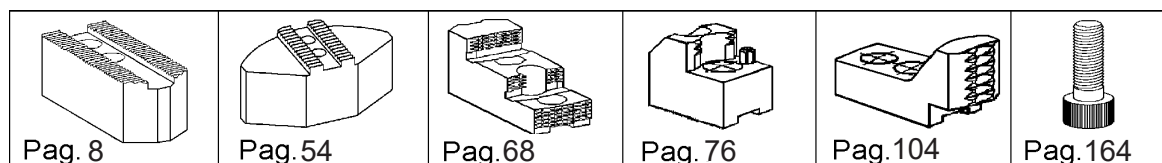


MATERIALE / material :
38NCD4

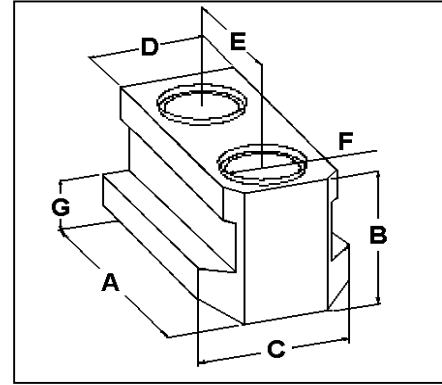


MANDRINI / chucks : **AUTOBLOK**

CODICE /code	Ø MAND / chuck	A	B	C	D	E	F	G	KG	SERIE / model
1002/ATD	130-140	30	15	17	12	16	M8	6,5	0,04	BHD130;HBD130 PBD130;PBDI130 BBD140;BHM130 HBM130;PBM130 PBM130;BBM140
1003/ATD	165-180	35	20	20	14	16	M10	7,5	0,07	GHD/FC165;GHDN165 HDB170;HDL170 HDN170
1004/ATD	200-220	41	22	22,5	17	23	M12	8	0,093	CD200;HDL200 HDN200;GHD-FC210 GHDN210;HDN220
1005/ATD	250-400	54	25	29	21	30	M16	11	0,18	CLD200;BHD/FC400 GHD400;GHDN400 RCD305;CD250 HYDS250;HYDS400
1006/ATD	400	60	33	31	21	34	M16	14,5	0,33	RCD400

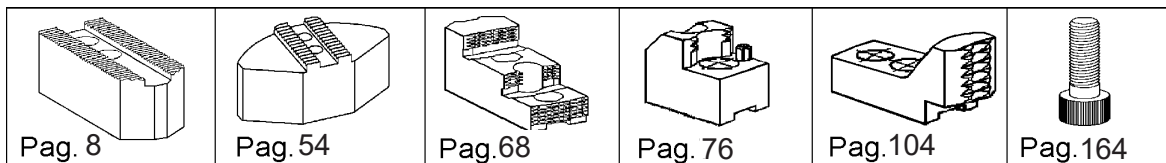


MATERIALE / material :
38NCD4



MANDRINI / chucks : AUTOBLOK

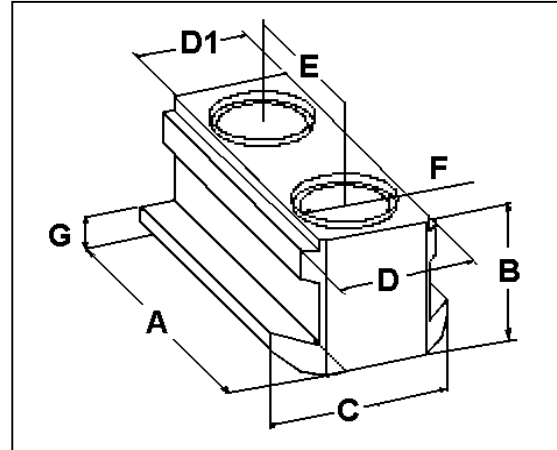
CODICE /code	Ø MAND / chuck	A	B	C	D	E	F	G	KG	SERIE / model
1002/ATDR	125	32	15	15	12	16	M8	6,5	0,04	AND125;ALD125 ANM125;ALM125
1003/ATDR	165-175	32	18,5	17	14	16	M10	6,5	0,04	AND165;ALD165 APD170;NTD170 BHD165;BHD/FC165 BBD175;RCD165 HBD165;HYDN180 HYDL180;PBD165
1004/ATDR	210-226	43	20	19	17	23	M12	7,5	0,08	AND210;ALD210 APD215;NTD215 BHD210;BHD/FC210 BBD210;RCD210 HBD210;HYDN210-226 HYDL210-226;PBD210
1005/ATDR	250-315	56	26,5	25	21	30	M16	10	0,16	AND250-315;ALD250-315 APD315;BHD/FC250-315 NTD315;BHD250-315 BBD250-315;RCD250-305 HBD250-315;PBD250-315 HYDN250-315;HYDL250-315 ANM315;ALM315;APM315 NTM315;BHM315;BBM315 RCM305;HBM315;PBM315
1005/ATDR-RCD	400	60	33	31	21	34	M16	14,5		BHD-FC400;RCD400
1006/ATDR-RCD	500	70	33	31	25,5	38	M20	14,5		APD400;NTD400; BHD-FC500;RCD500



tasselli singoli e doppi single and twin T-nuts

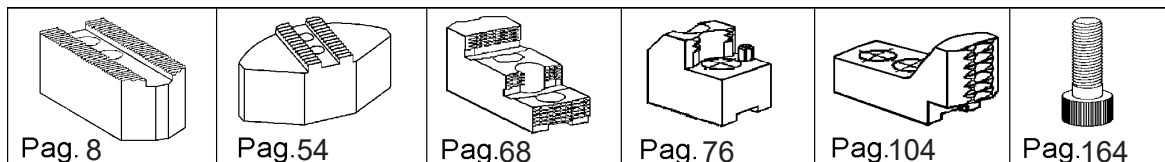
catalogo | catalogue

MATERIALE / material :
38NCD4

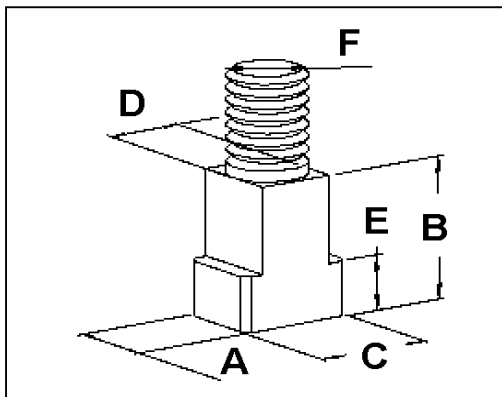


MANDRINI / chucks : AUTOBLOK (METRICO / metric) **DENTAT. / pitch:** 1,5x60°

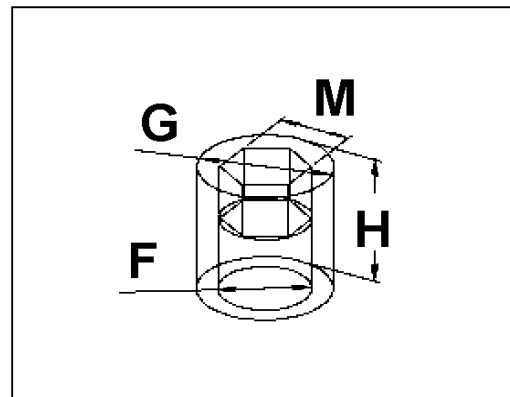
CODICE /code	Ø MAND / chuck	A	B	C	D	D1	E	F	G	KG	SERIE / model
1003/ATDRM	165-175	36	18,5	17	14	12	20	M10	6,5	0,04	ANM165;ALM165 APM170;NTM170 BHM165;BBM175 RCM165;HBM165
1004/ATDRM	210	45	20,5	19	17	14	25	M12	7,5	0,07	ANM210;ALM210 APM210;NTM210 BHM210;BBM210 RCM210;HBM210
1005/ATDRM	250	56	26,5	25	21	16	30	M12	10	0,17	ANM250;ALM250 BHM250;BBM250 PBM250;PBMi250 HBM250;RCM250



MATERIALE / material :
38NCD4



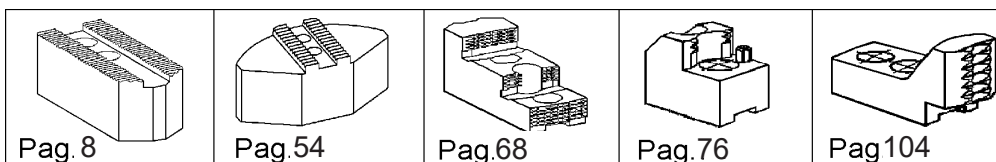
TIPO / type I



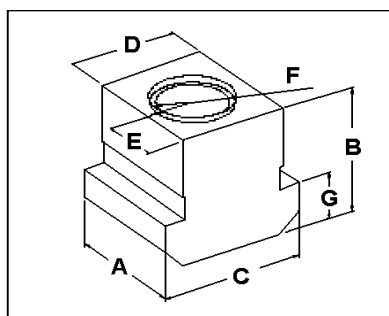
TIPO / type II

MANDRINI / chucks : BERG

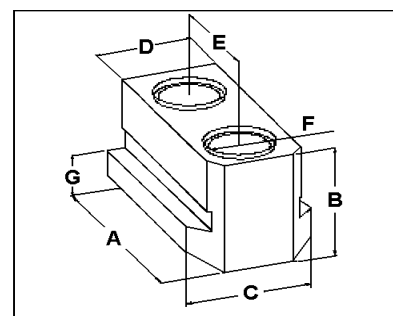
CODICE code	Ø MAND chuck	A	B	C	D	E	F	G	H	M	KG	SERIE / model
TS09	I	10	17,3	13	8	7	M9x1	-	-	-	0,009	KH110
TM09/1	II	-	-	-	-	-	M9x1	13	13	6,1	0,002	
TS10	I	13	20,3	16	10	9,3	M10	-	-	-	0,04	KH140 KH160
TM10/1	II	-	-	-	-	-	M10	16	16	8,1	0,02	
TS12	I	14	23,2	18	12	9	M12	-	-	-	0,06	KH175 KH200
TM12/1	II	-	-	-	-	-	M12	17,5	19	10,1	0,02	
TS16	I	18	26,7	24	16	12	M16	-	-	-	0,11	KH250 KH315
TM16/1	II	-	-	-	-	-	M16	24,5	25	14,1	0,05	
TS20	I	25	32,7	30	20	16	M20	-	-	-	0,22	KH400 KH500
TM20/1	II	-	-	-	-	-	M20	32	32	17,1	0,12	



MATERIALE / material :
38NCD4



TIPO / type I



TIPO / type II

MANDRINI / chucks : CMT

CODICE /code	Ø MAND / chuck	TIPO	A	B	C	D	E	F	G	KG	SERIE / model
1090/CT	120	I	12	14,5	12	8	6	M6	5,5	0,009	AA3-120;AA2-120
1100/CT	140-200	I	19	16	14,5	10	7	M8	7	0,023	AE3-140;AB3-170 AC3-200;AE2-140 AE4-140;AB4-170 AC2-200;AC4-200 PD3-170;PA2-200 PA3-200
1101/CT	200-250	I	26	20	17,5	12	9	M10	8,5	0,045	AG5-250;AD3-230 AG3-250;AI3-270 AD2-230;AD4-230 AG2-250;AG4-250 KC3-200;KS3-210 KC2-200;KC4-200 PB3-230;PB4-230
1102/CT	250	I	30	30	28,5	21	15	M14	11	0,13	KG3-250;KP3-315 KG2-250;KG4-250 KP4-315;VG/3-372
1103/CT	300-330	I	29	27,5	24	18	12	M12	10,5	0,11	AF3-300;AO3-330 AF4-300
1104/CT	400	I	34	34,5	30,5	20	15	M16	13,5	0,18	AH3-400;KH3-400 KH4-400

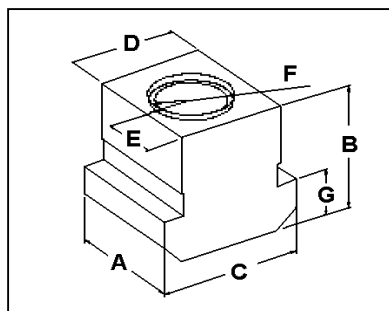
MANDRINI / chucks : CMT SERIE / model : GB / KZ / GH / GX

CODICE /code	Ø MAND / chuck	TIPO	A	B	C	D	E	F	G	KG	DENTATURA / pitch
1002/ATD	130	II	30	15	17	12	16	M8	6,5	0,04	1/16"x90° 1.5x60°
2903/GT 15.5	130	II	30	15	14	10	18	M8	5,2	0,03	1.5x60°
1003/ATDR	165	II	32	18,5	18	14	16	M10	6,5	0,04	1/16"x90° 1.5x60°
2904/GT 18.5	165	II	40	18,5	18	12	20	M10	7,5	0,071	1.5x60°
1004/ATDR	210	II	45	20	19	17	23	M12	7,5	0,075	1/16"x90° 1.5x60°
2905/GT 20.5	210	II	45	20	20	14	25	M12	8	0,08	1.5x60°
1005/ATD	250-315	II	54	25	29	21	30	M16	11	0,18	1/16"x90° 1.5x60°

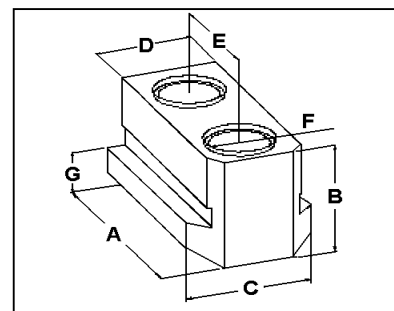
tasselli singoli e doppi single and twin T-nuts

catalogo | catalogue

MATERIALE / material :
38NCD4



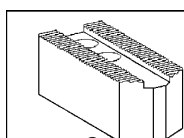
TIPO / type I



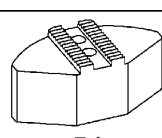
TIPO / type II

MANDRINI / chucks : FORKARDT

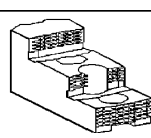
CODICE /code	Ø MAND / chuck	TIPO	A	B	C	D	E	F	G	KG	SERIE / model
2400/FT	160-250	I	19	23	22,5	17	9,5	M12	9	0,04	2BLE-PS160;KGH160;KGF160
2400/FTD	160-250	II	37	23	22,5	17	22	M12	9	0,09	KL160;KS160;KSH-160;KSPS160 KTG160;KTH160-46;KTN160 NH-160;NHF160;UVE160;KGF175 KGF175;KSF175;KTH175-46 QLC175;KG200;KGH200;KGF200 KS200;KSF200;KT200;KTGF200 KTH200;NH200;NHF200;UVE200 KL250 Mo;KS250;KS250 Mo KSHF250-55;UVE250;NHF290 KSHF250-65;NHF250-65;QLC210
2402/FT	250-400	I	24	27	28,5	21	11,75	M16	11	0,08	2BLE-200;2BLE250 Mo
2402/FTD	250-400	II	50	27	28,5	21	28	M16	11	0,17	2BLN200;KG250;KL250;KP250 KLNC250;KSH250;KSHF250 KSPS250;KT250;KTGF250 KTN250;NH250;NHF250;QLC250 NHF257;NHF290-104;KSPS300 KG315;KLNC315;KP315;KS315 KSH315;KSHF315;KT315;KTGF315 NH315;NHF315;QLC315;UVE315 KS400;KSH400;KSHF400;NHF400
2404/FT	400-800	I	28	29	36	25,5	13,75	M20	11	0,12	2BLE250;2BLN250;KG400;KL400
2404/FTD	400-800	II	61	29	36	25,5	35	M20	11	0,28	KP400;KT400;KTGF400;NH400 NHF400;QLC400;UVE400;KG500 KL500;KLNC500;KP500;KT500 KTGF500;NH500;NHF500;UVE500 KSHF560;KS630;KSL630;KSHF630 KT630;KTGF630;NH630;NHF630 UVE630;UVE800



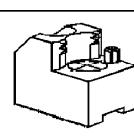
Pag. 8



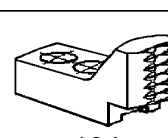
Pag. 54



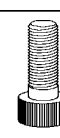
Pag. 68



Pag. 76

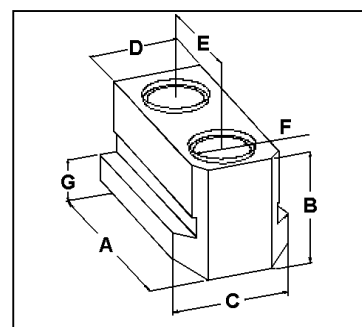


Pag. 104



Pag. 164

MATERIALE / material :
38NCD4

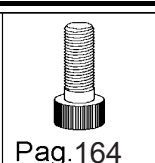
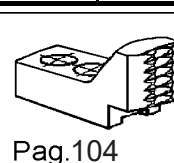
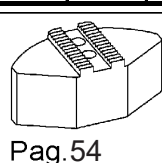
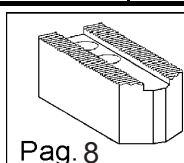


MANDRINI / chucks : HOWA

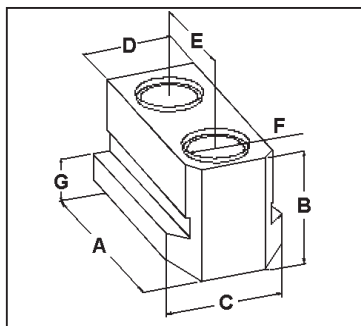
CODICE /code	Ø MAND / chuck	A	B	C	D	E	F	G	KG	SERIE / model
2904/GT 22	160	40	22	18	12	20	M10	7	0,068	HO1MA6;HO7MA6;HO15M6 HO22M6;HO24M6;HO27M6 HO47M6;HO37M6;HO5M6
2905/GT 23	200-210	45	23	20	14	25	M12	8,5	0,083	HO1MA8;HO2M8;HO7MA8 HO15M8;HO23M8
2906/GT 23	250	53	23	22	16	30	M12	8	0,12	HO1MA10;HO2M10
2906/GT 26.5	250	45	26,5	22	16	25	M12	8,5	0,12	HO7MA10;HO15M10;HO23M10 HO27M8;HO22M8;HO47M8 HO24M8;HO37M8;HO5M8
2907/GT 27.5	300	55	27,5	25	18	30	M14	9,5	0,161	HO7MA12;HO22M10;HO24M10 HO15M12;HO23M12;HO27M10 HO47M10;HO37M10;HO34M10 HO5M10
2907/GT 33.5	300	55	33,5	25	18	30	M14	13,5	0,2	HO1MA12;HO2M12
2909/GT 29	300	68	29	30	21	40	M16	10,5	0,264	HO7MA12;HO22M12;HO24M12 HO23M15;HO5M12
2909/GT 29-35	300	61	29	30	21	35	M16	10,5	0,24	HO27M12;HO47M12;HO34M12 HO37M12
2909/GT 40	381-610	82	40	34	26	50	M20	17	0,52	HO1MA15;HO1MA18;HO1MA21 HO1MA24
2909/GT 40-42	381-610	74	40	34	26	42	M20	17	0,52	HO27M15;HO47M15

MANDRINI / chucks : MATSUMOTO

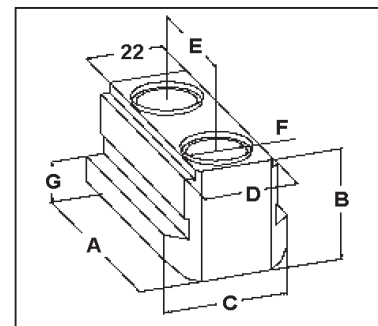
CODICE /code	Ø MAND / chuck	A	B	C	D	E	F	G	KG	MATSUMOTO
2903/GT 20	125-150	32	20	16,5	11	20	M8	7	0,04	HA5-6;HH6;HX6;HJ6;H6;STC-6
2905/GT 22	150-200	45	22	20	14	25	M12	8,5	0,08	HA6-8;HJ-8;HX-8;HHJ-8;H-8 STC-8;HH-8
2906/GT 23	200-280	49	23	22	16	30	M12	8	0,12	HA8-10;H10;HHJ-10;HH-10;HHL10 HX-10;STC-10;HJ-10;HA8-11
2907/GT 33.5	300	55	33,5	25	18	30	M14	13,5	0,2	HA8-12;HJ-12;HX-12;HHJ-12 H-12;HH-12;HHL-12
2909/GT 50	381-457	90	39,5	33	22	50	M20	19,5	0,52	HA11-15;H15;HA11-18;H18 HH15;HH18;HHL15



MATERIALE / material :
38NCD4



TIPO / type I

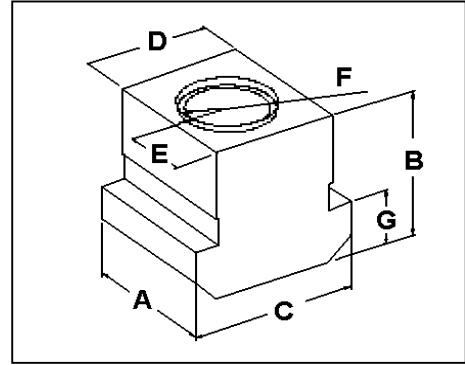


TIPO / type II

MANDRINI / chucks : KITAGAWA-AUTOSTRONG-SAMCHULLY-SEOAM

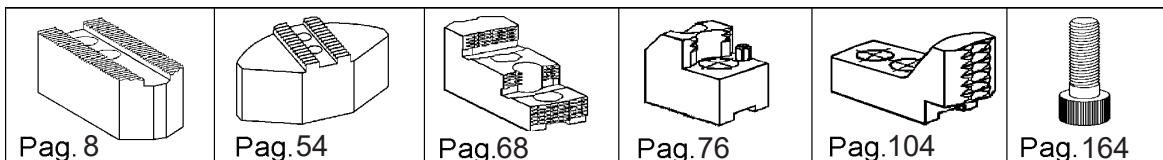
CODICE /code	Ø MAND / chuck	TIPO	A	B	C	D	E	F	G	KG	SERIE / model
2902/GT 13.5	110	I	25	13,5	11,3	8	15	M6	4,5	0,015	B04;BT04;HOB4
2903/GT 18	100	I	28	18	15	10	14	M8	5,5	0,028	N04;NL04;AS04;HJ4;NT04;AT04;AS110
2903/GT 15-14	100-130	I	26	15	15	10	14	M8	5,5	0,021	B204;B205
2903/GT 18-19	125	I	32	18	15	10	19	M8	5,5	0,02	N05;NT05;HJ5
2903/GT 15.5	135	I	30	15	14	10	18	M8	5,2	0,025	B05;BT05;HOB5;HOBT5
2904/GT 22	160	I	40	22	18	12	20	M10	7	0,068	B06;HOH06K;N06;N06A;NL06;NT06A HJ6;AS06;BT06;AT06;NT06;HOB6;HO6 HJA5-6;N160;B160;AS165;HOH160G
2904/GT 18.5	160	I	40	18	18	12	20	M10	7	0,071	B206;B206A;HOH206;BT206;BT206A B06;B106;B07;HOH106;HOH06;CGH06
2905/GT 24.5	200-210	I	45	24,5	20	14	25	M12	8,5	0,096	B08;B08A;HOH08K;N08;N08A;NL08 HJ8;AS08;NT08;NT08A;AT08;BT08 BT08A;HOB8;HJA6-8;HO8;B200;N200 HOS8;AS210
2905/GT 20.5	200-210	I	45	20	20	14	25	M12	8	0,08	B208;B208A;HOH208;B108;HOH108 BT208;BT208A;MH208;CGH08
2906/GT 24.5	250	I	49	24,5	22	16	30	M12	8,5	0,136	B10;B10A;HOH10K;AS10;BT10;BT10A N10;N10A;NL10;HJ10;NT10;NT10A AT10;HW10;HW12;B250;AS250;N250 HOB10;HO10;HOS10;HJA8-10;HOH250
2906/GT 21.5	250	I	49	21,5	22	16	30	M12	8,5	0,124	B210;B210A;HOH210;BT210;BT210A B110;HOH110;HS10
2907/GT 33.5	300	I	55	33,5	25	18	30	M14	13,5	0,218	B12;B12A;N12;N12A;HOH12;NL12;
2907/GT 30	300	I	55	30	25	18	30	M14	9,5	0,180	BT12;BT12A;NT12;NT12A;HOH12;HJ12 HW12;HOB12;HO12;B300;N300;HOH300 HLA6-12;HLA6-15;HLA8-15;HJA8-12;HC12
2909/GT23	300	I	58	23	30	21	30	M16	11,5	0,21	BB212
2909/GT 28	300	I	58	28	30	21	30	M16	11,5	0,225	B212;B212A;BT212;B112;BT212A; HOH112;HOH212;HS12;MH212
2910/GT 43	381-457	II	80	45,5	34	24	43	M20	16,5	0,511	B15;B15A;B18;B18A;HOB15;HOH15 BT15;HOBT15;HLAB15;HJA11-15 BT15A;B380;B450;HOH380;HOB18
2911/GT 50	457	I	90	45	37,5	25	50	M20	19	0,695	B21;B24;HOB21;B21A;MH221
2911/GT 60	457	I	100	45	37,5	25	60	M20	19	0,800	B24A;HOB24;N21;N24;CGH21
2912/GT	381	I	80	39,2	35	25,5	43	M20	19	0,548	N15;N15A;N18;N18A;B215;HC18
2912/GT 60	457	I	100	54	37,5	25	60	M20	19	0,925	HO18;HJ18;HJ21

MATERIALE / material :
38NCD4

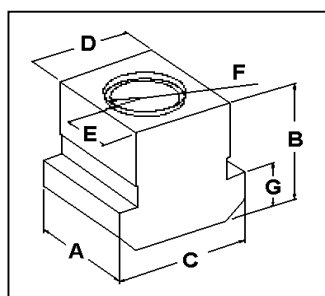


MANDRINI / chucks : **M.P.T.-PINTO**

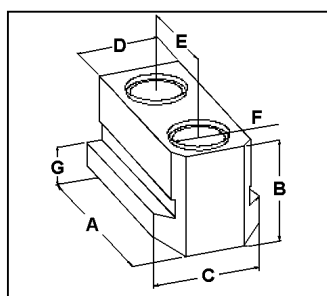
CODICE /code	Ø MAND / chuck	A	B	C	D	E	F	G	KG	SERIE / model
1510/PT	125-130	12	16,5	16,5	12	6	M8	6	0,013	F125;GL130;GLR130 VR125;NR125
1511/PT	160-165	15	19,5	19	14	7,5	M10	7	0,019	F160;GL165;GLR165 FC165;VR160;NR160
1512/PT	200-220	18	21,5	23	17	9	M12	9	0,037	F200;F210;GLR205 GLR210;GLR220;GL205 GL210;GL220;FC200 MA200;MA210;MA225 VR200;NR200
1513/PT	250-400	24	26,5	29	21	12	M16	11	0,075	F250;GLR250;MA250 VR250;NR250;TR250 MA280;F315;F400 FV315;FV400;GLR315 GLR400;GL315;GL400 FC315;FC400;MA315 MA350;MA400;VR315 NR315;TR315
1515/PT	500-800	32	34	36	28	16	M20	14,5	0,177	F500;F630;F800 FV500;FV630;FV800 GLR500;GL630;MA450 MA500;MA570;MA630 MA800



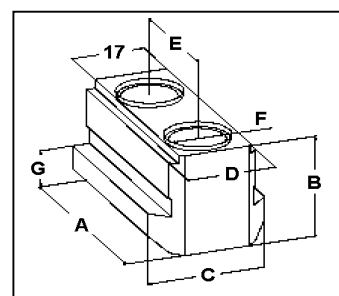
MATERIALE / material :
38NCD4



TIPO / type I



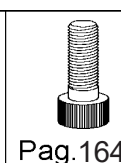
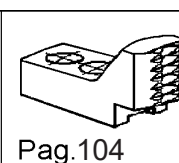
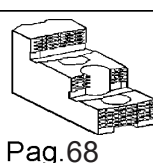
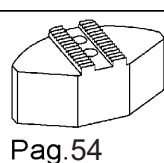
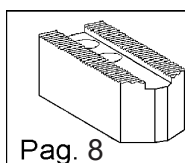
TIPO / type II



TIPO / type III

MANDRINI / chucks : ROHM

CODICE /code	Ø MAND / chuck	TIPO	A	B	C	D	E	F	G	KG	SERIE / model
2700/RT	105-110	I	14	15,5	15	10	7	M8	6,5	0,014	KFD-HS110;KFN105
2700/RTD	105-110	II	30	15,5	15	10	15	M8	6,5	0,031	
2701/RT	110-140	I	11	14	15	10	5,5	M6	5,5	0,01	KFD-HS130;KFD-HS140;KFD110
2701/RTD	110-140	3F	34	14	15	10	2x12	3XM6	5,5	0,033	KFD125;KFD140;KFD-HE110 KFD-HE125;KFD-HE140
2702/RT	130-160	I	14	15,5	13,5	11	7	M8	6,5	0,013	KFM130;KFN130;KFG160;KFM160 KFG160;KFE170
2703/RT	160-175	I	14	17,2	17,5	12	7	M8	7	0,019	KFD-HS160;KFD-HS175;KFD130
2702/RTD	160-175	3F	42	17,2	17,5	12	2x15	3XM8	7	0,06	LVE125;LVE160
2704/RT	215	I	21	16,5	19	14	10,5	M10	6,5	0,03	KFN215;KFM215;KFG215;KFE215
2705/RT	160-200	I	18	21,5	22,5	17	9	M12	9	0,038	KFD-HS200;KFD-HF160;KFD-HF200
2703/RTD	160-200	II	36	21,5	22,5	17	19	M12	9	0,08	LVE200;KFD160;KFD200;KFL250 KFD-HE160;KFD-HE200;SPD160 SPD215;SPO160;SPO215; KFH-F160;KFH-NC160
2706/RT	250-280	I	22	21,5	25,5	20	11	M12	8,5	0,06	KFN250;KFE250;KFG280;KFN280
2704/RTDS	250	III	36	25,5	29,5	21	19	M12	11	0,07	KFD-HS250
2707/RT	250-400	I	24	25,5	29,5	21	12	M16	11	0,077	KFD-HF250;KFD-HF315;KFD-HE315
2704/RTD	250-400	II	46	25,5	29,5	21	25	M16	11	0,15	LVE250;LVE315;KFD250;KFD-315 KFL400;KFL315;SPD250;SPD315 SPO250;SPO315;KFH-NC250 KFH-NC315;KFD-HE250
2708/RT	400-800	I	30	34	32,5	25,5	15	M20	15,5	0,14	KFD-HS400;KFD-HS500;KFD-HF400
2705/RTD	400-800	II	63	34	32,5	25,5	35	M20	15,5	0,32	KFD-HF500;KFD-HF630;LVE400 LVE500;LVE630;LVE800;KFD400 KFD500;KFD630;KFD-HE400 KFD-HE500;KFD-HE630;KFD-HE800 KFL500;KFL600

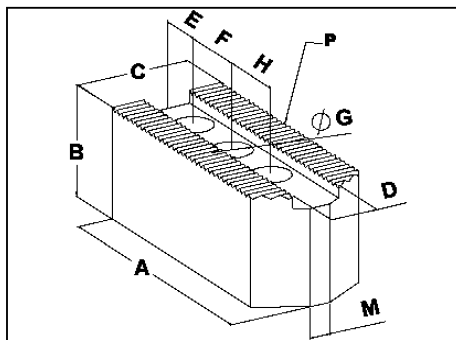


disegni per morsetti e tasselli speciali

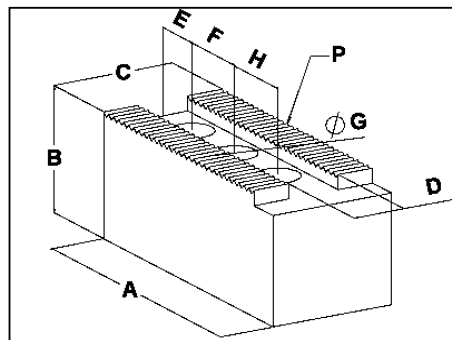
drawings for special jaws and T-nuts

MORSETTI TENERI SPECIALI

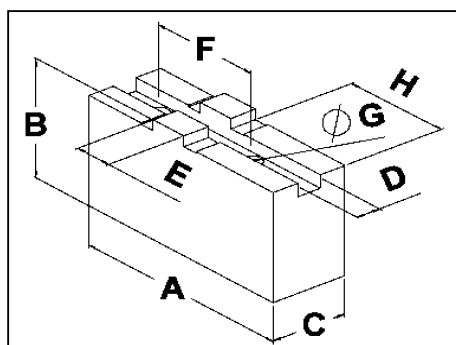
Special soft jaws



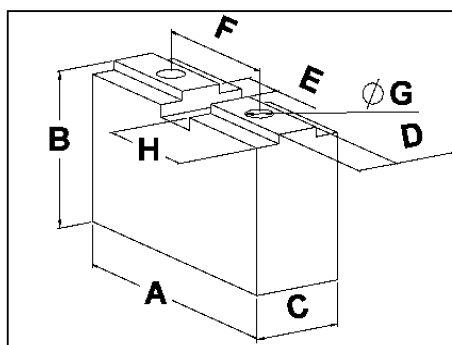
TIPO / type I



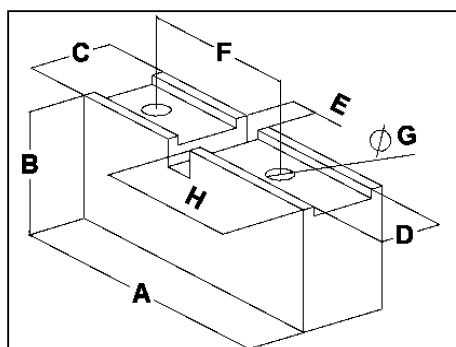
TIPO / type II



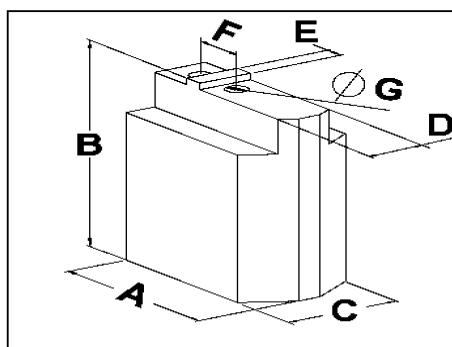
TIPO / type III



TIPO / type IV



TIPO / type V



TIPO / type VI

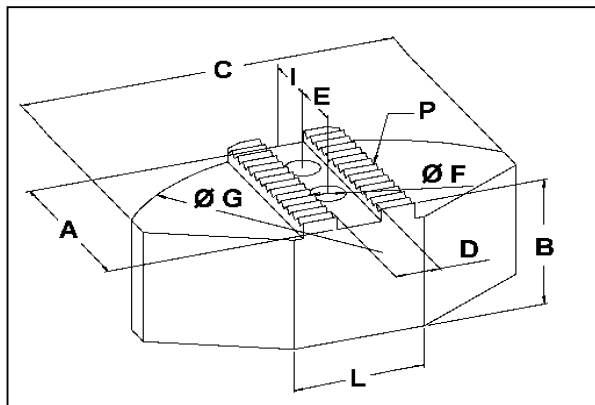
MANDRINO Chuck	TIPO Type	PZ. Pcs.	MAT.	A	B	C	D	E	F	G	H	I	L	M	P

disegni per morsetti e tasselli speciali

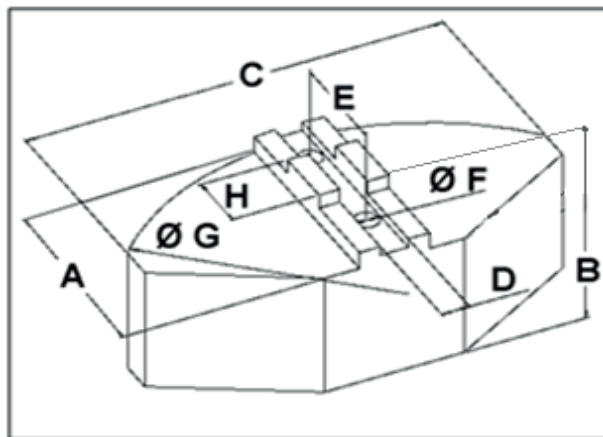
drawings for special jaws and T-nuts

MORSETTI AVVOLGENTI E TEMPRATI SPECIALI

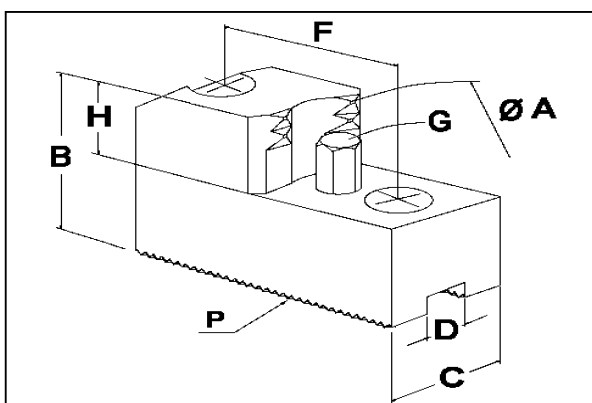
Special full-grip and hardened jaws



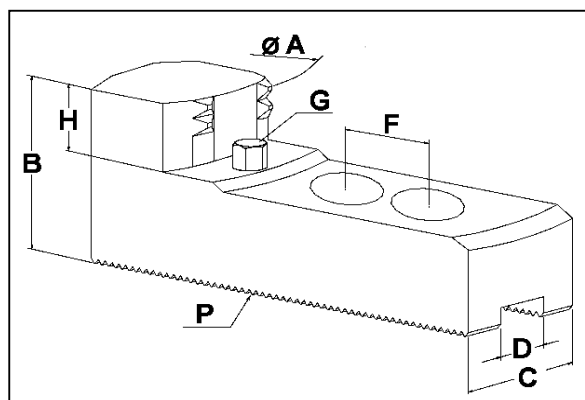
TIPO / type I



TIPO / type II



TIPO / type III

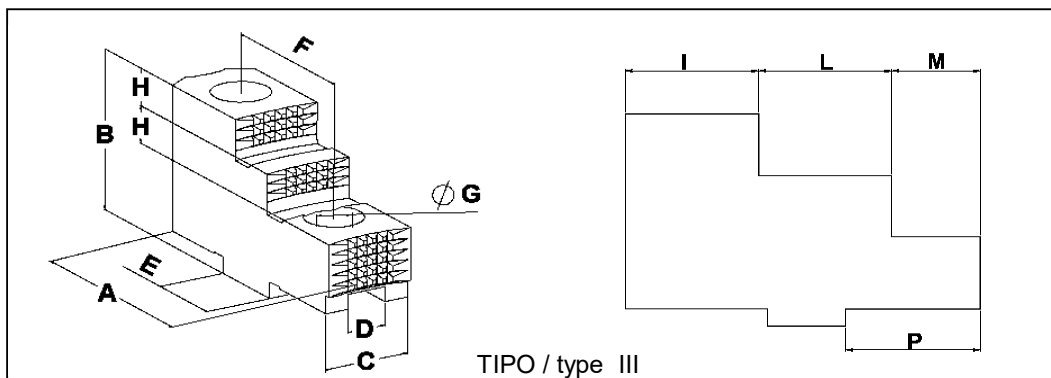
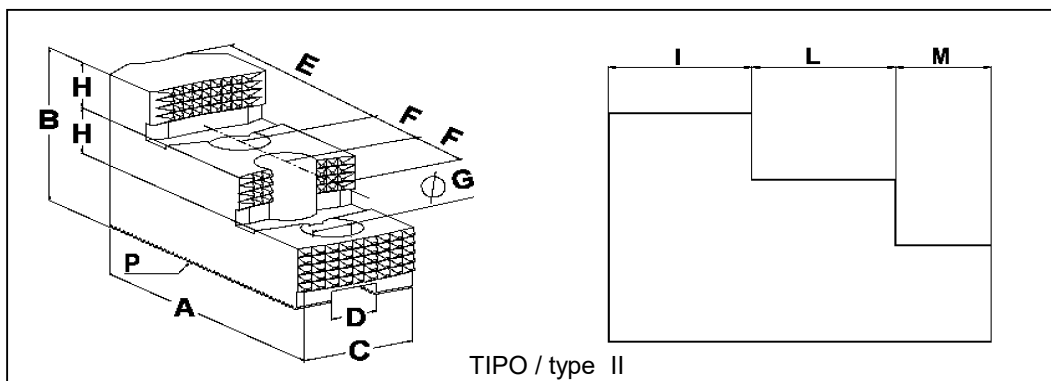
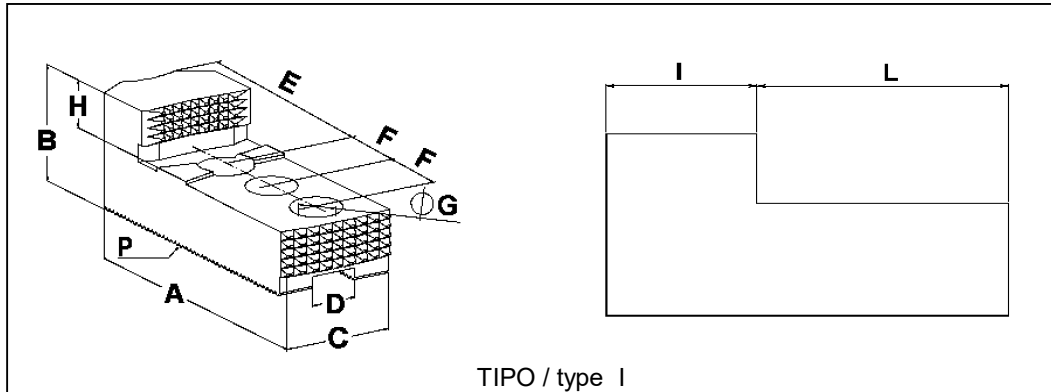


TIPO / type IV

MANDRINO Chuck	TIPO Type	PZ. Pcs.	MAT.	A	B	C	D	E	F	G	H	I	L		P

disegni per morsetti e tasselli speciali drawings for special jaws and T-nuts

MORSETTI REVERSIBILI SPECIALI Special reversible jaws



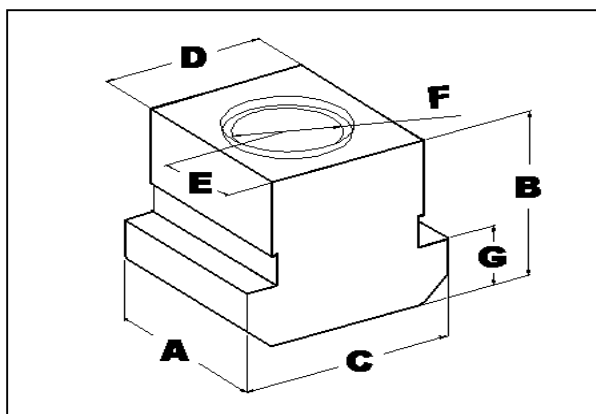
MANDRINO Chuck	TIPO Type	PZ. Pcs.	MAT.	A	B	C	D	E	F	G	H	I	L	M	P

disegni per morsetti e tasselli speciali

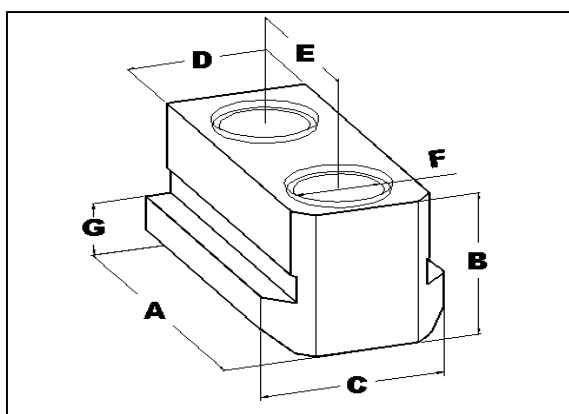
drawings for special jaws and T-nuts

TASSELLI SPECIALI

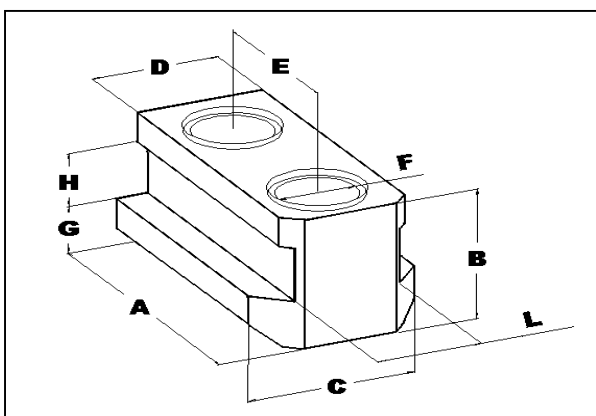
Special T-nuts



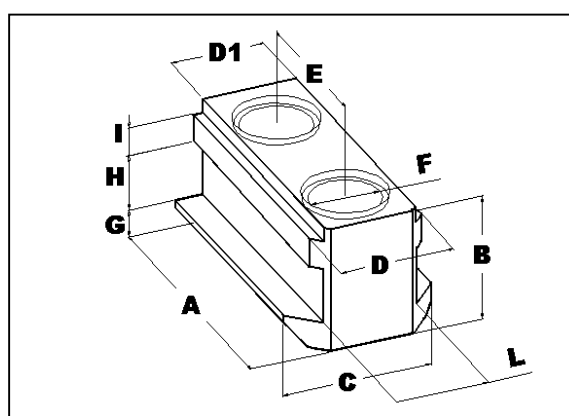
TIPO / type I



TIPO / type II



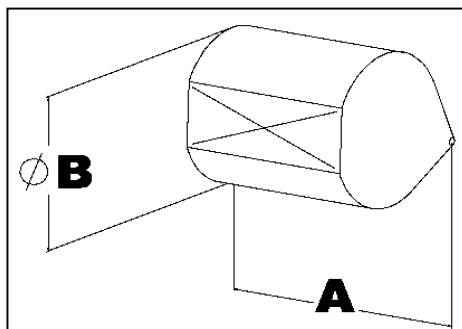
TIPO / type III



TIPO / type IV

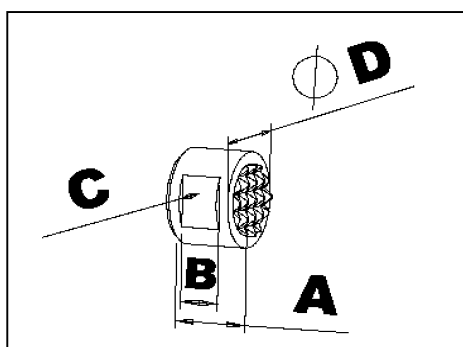
MANDRINO Chuck	TIPO Type	PZ. Pcs.	A	B	C	D	D1	E	F	G	H	I	L		

RULLINI DURI IN HSS / Clamping points in HSS



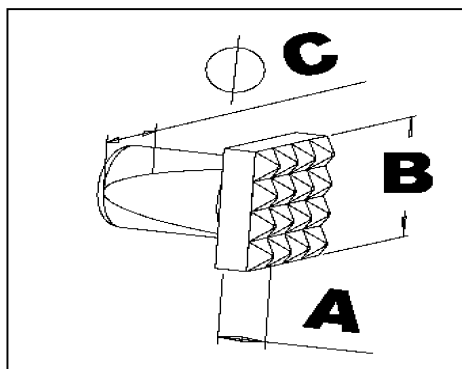
CODICE code	A	B
RHSS-4	10	4
RHSS-5	12	5
RHSS-6	16	6
RHSS-8	16	8
RHSS-10	16	10
RHSS-12	18	12

INSERTI IN ACCIAIO TEMPERATO / Hardened steel grippers



CODICE code	A	B	C	D
IHSS-6	10	-	M3	6
IHSS-8	10	-	M4	8
IHSS-10	10	4,5	M5	10
IHSS-12	9,5	4,5	M5	12,7
IHSS-12A	12,7	-	M6	12,7
IHSS-15	9,5	4,5	M6	15,8
IHSS-19	9,5	4,5	M6	19

INSERTI IN ACCIAIO TEMPERATO / Hardened steel grippers



CODICE code	A	B	C
IKHS-12	5	12	8
IKHS-15	5	15	10,15
IKHS-20	8	20	12

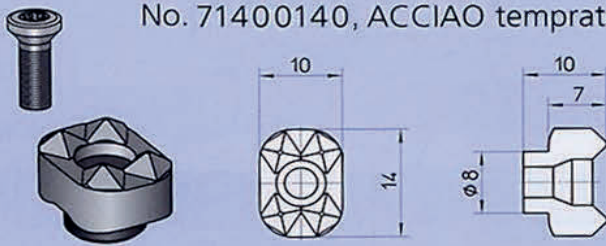
La soluzione economicamente redditizia: morsetti di 1ª operazione con inserti intercambiabili

- Concepiti per essere montati sui morsetti semilavorati.
- Economicamente redditizi perchè solo l'inserto usurato viene sostituito in pochi secondi.
- Durata di vita notevolmente maggiore rispetto ai morsetti di sgrossatura convenzionali.

Caratteristiche:

- Alta sicurezza di bloccaggio in 1ª operazione di pezzi grezzi, anche in acciaio ad alta resistenza.
- Maggiore coppia di trascinamento che permette maggiori asportazioni di truciolo oppure il bloccaggio con minore forza di serraggio per minori deformazioni.
- Ricambio rapido degli inserti usurati.

UGE 10 No. 081845, CARBURO No. 71400140, ACCIAIO temprato



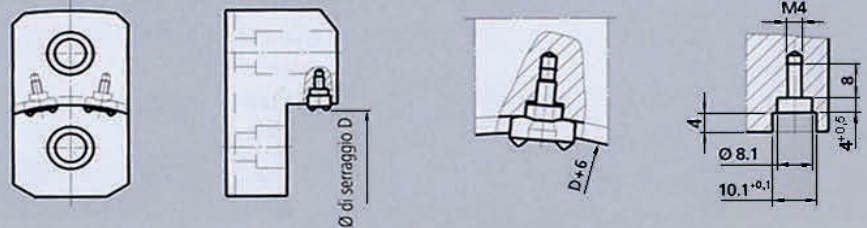
Elementi inclusi: inserto con vite di fissaggio Torx

Inserto di bloccaggio universale con caratteristiche uniche (brevettato):

- Per superfici di bloccaggio piane o rotonde
- Per serraggio interno o esterno
- Montaggio della vite di fissaggio dal davanti
- La realizzazione della sede dell'inserto nel morsetto è estremamente semplice
- La tempra del morsetto è necessaria
- Chiave di montaggio Torx No. 085961
- Vite di serraggio M4 x 13.5 No. 033010

Istruzioni per il montaggio:

1. Tornire o fresare il diametro di serraggio $D + 6$ mm ed il canale di 10 mm (vedere disegno a lato).
2. Fare la lamatura $\varnothing 8$ mm profonda 3,5 mm e filettare M4.
3. Cementare e temperare i morsetti.



UGE 20 No. 087414, ACCIAIO rapido temprato



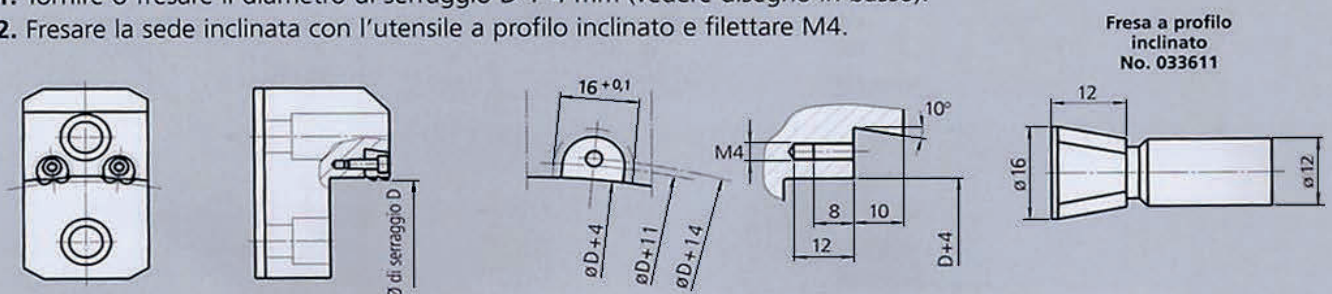
Elementi inclusi: inserto con vite di fissaggio a testa cilindrica

Inserto di bloccaggio con effetto staffante per serraggio esterno (brevettato):

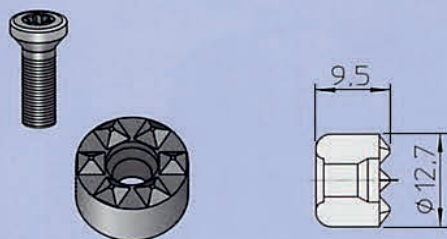
- Montaggio della vite di fissaggio dal davanti
- Effetto staffante grazie all'inclinazione della superficie di appoggio posteriore dell'inserto
- Inserto autocentrante con effetto flottante
- La sede dell'inserto può essere facilmente realizzata con un utensile a profilo speciale inclinato (No. 033611)
- La cementazione-tempra del morsetto non è necessaria
- Per bloccaggio esterno o interno
- Vite TCEI M4 x 12 DIN 912, No. 010145

Istruzioni per il montaggio dell'inserto UGE 20:

1. Tornire o fresare il diametro di serraggio $D + 4$ mm (vedere disegno in basso).
2. Fresare la sede inclinata con l'utensile a profilo inclinato e filettare M4.



UGE 30 No. 089822, CARBURO



Elementi inclusi: inserto con vite di fissaggio Torx.

Inserto per morsetti prismatici e morse (brevettato):

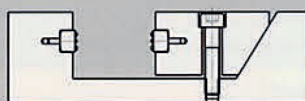
- Per il serraggio interno o esterno di pezzi rettangolari o prismatici (superfici di bloccaggio piane)
- Per morsetti di mandrini autocentranti o morse
- Montaggio della vite di fissaggio dal davanti
- Lavorazione della sede estremamente semplice: il fondo della sede può essere a 120° (punta standard) o piano
- Per grandi serie produttive la cementazione-tempra dei morsetti è consigliata
- **Chiave di montaggio Torx**

Istruzioni per il montaggio dell'inserto UGE 30:

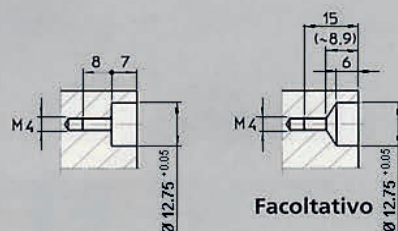
1. Forare il $\varnothing 12,7$ (il fondo della sede può essere a 120° o piano).
2. Filettare M4 per la vite di fissaggio.



morsetti prismatici per mandrini

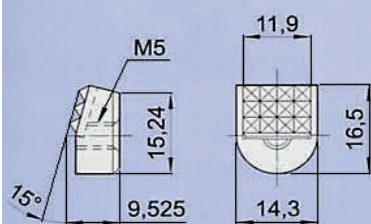


morsetti piani per morse

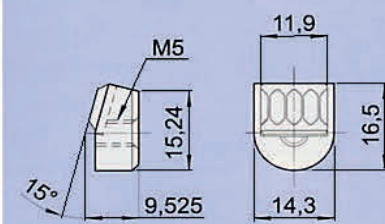


Facoltativo

FGH 33 CARBURO con 12 punte Id.No. 71400133



FGH 34 CARBURO con 4 lame Id.No. 71400134



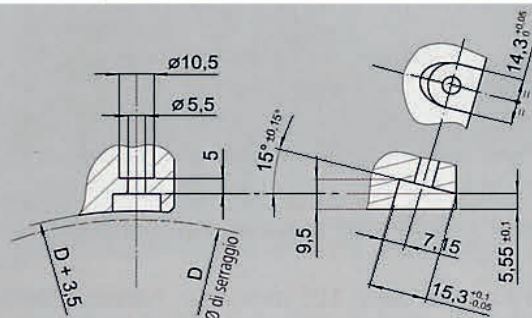
Inserti inclinati con effetto staffante:

- Per serraggio esterno
- Zona di serraggio molto corta ed in posizione avanzata
- Montaggio con vite di fissaggio posteriore
- Semplice esecuzione della sede inserto inclinata
- Per grandi serie produttive la cementazione e tempra dei morsetti è consigliata

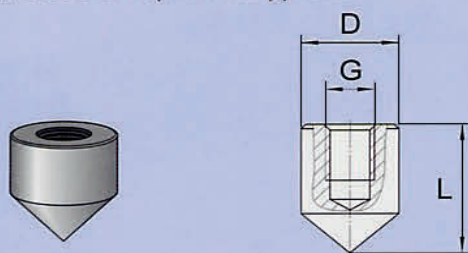
Elementi inclusi: inserto senza vite di fissaggio

Istruzioni per il montaggio degli inserti FGH:

1. Con morsetto inclinato di 15°, realizzare la sede dell'inserto, con una fresa a candela di $\varnothing 14,3$.
2. Forare $\varnothing 5,5$ come disegno a lato.
3. Lamare $\varnothing 10,5$ per la testa della vite di fissaggio.



MGH, acciaio rapido temprato



Elementi inclusi: inserto picot senza vite di fissaggio

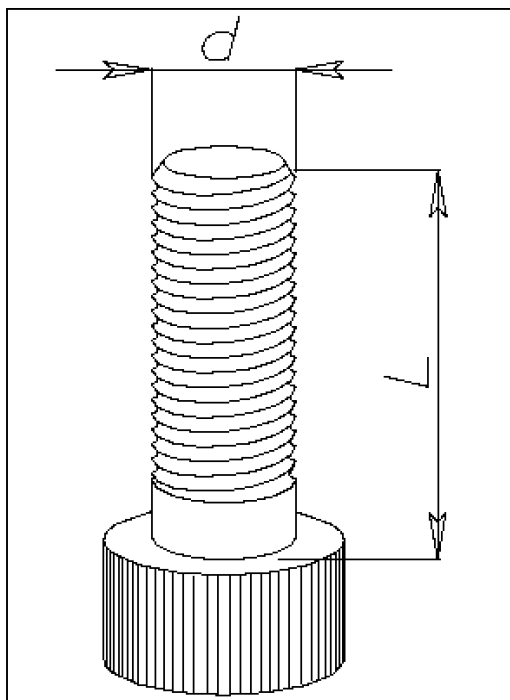
Punta "picot" di utilizzo generico su morsetti

- Per il serraggio esterno o interno
- Maggiore trascinamento per una maggiore produttività
- Montaggio della vite di fissaggio da dietro
- Lavorazione della sede estremamente semplice: solo foratura

Tipo		MGH 6	MGH 10	MGH 12
Id. No.		081851	081852	081853
D	mm	6	10	12
L	mm	10	14	16
G		M3	M5	M6

VITI A TESTA CILINDRICA CON ESAGONO INCASSATO UNI 5931 - DIN 912 (FILETTATURA METRICA A PASSO GROSSO)
 Cylindrical head screws with embedded hexagon UNI 5931 - DIN 912 (metric thread to large step)

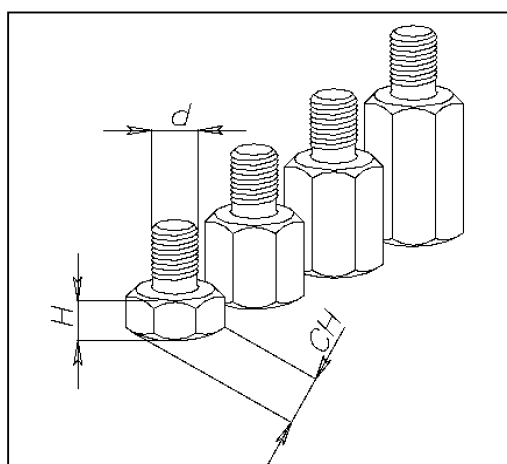
MATERIALE : ACCIAIO BONIFICATO - 12.9
 Material : hardened and tempered steel - 12.9



CODICE / code	d	L
VTCEI M6x18	M6	18
VTCEI M8x20	M8	20
VTCEI M8x22	M8	22
VTCEI M8x25	M8	25
VTCEI M8x30	M8	30
VTCEI M10x20	M10	20
VTCEI M10x25	M10	25
VTCEI M10x30	M10	30
VTCEI M10x35	M10	35
VTCEI M12x25	M12	25
VTCEI M12x30	M12	30
VTCEI M12x35	M12	35
VTCEI M14x30	M14	30
VTCEI M14x40	M14	40
VTCEI M14x45	M14	45
VTCEI M16x30	M16	30
VTCEI M16x35	M16	35
VTCEI M16x40	M16	40
VTCEI M18x55	M18	55
VTCEI M18x90	M18	90
VTCEI M20x40	M20	40
VTCEI M20x45	M20	45
VTCEI M20x50	M20	50
VTCEI M20x55	M20	55
VTCEI M20x60	M20	60
VTCEI M20x70	M20	70
VTCEI M24x50	M24	50
VTCEI M24x70	M24	70

APPOGGI PER MORSETTI TEMPRATI (FILETTATURA METRICA ISO A PASSO GROSSO)
 Bearings for hardened jaws (ISO metric thread to large step)

MATERIALE DA TEMPRA INDUZIONE
 Induction hardening steel



CODICE / code	H	CH	d
AEC6.5	5	10	M6
AEC6.10	10	10	M6
AEC6.15	15	10	M6
AEC6.20	20	10	M6
AEC6.25	25	10	M6
AEC8.5	5	13	M8
AEC8.10	10	13	M8
AEC8.15	15	13	M8
AEC8.20	20	13	M8
AEC8.25	25	13	M8
AEC10.5	5	17	M10
AEC10.10	10	17	M10
AEC10.15	15	17	M10
AEC10.20	20	17	M10

accessori per macchine utensili equipments for machine tools

ACCESSORIES



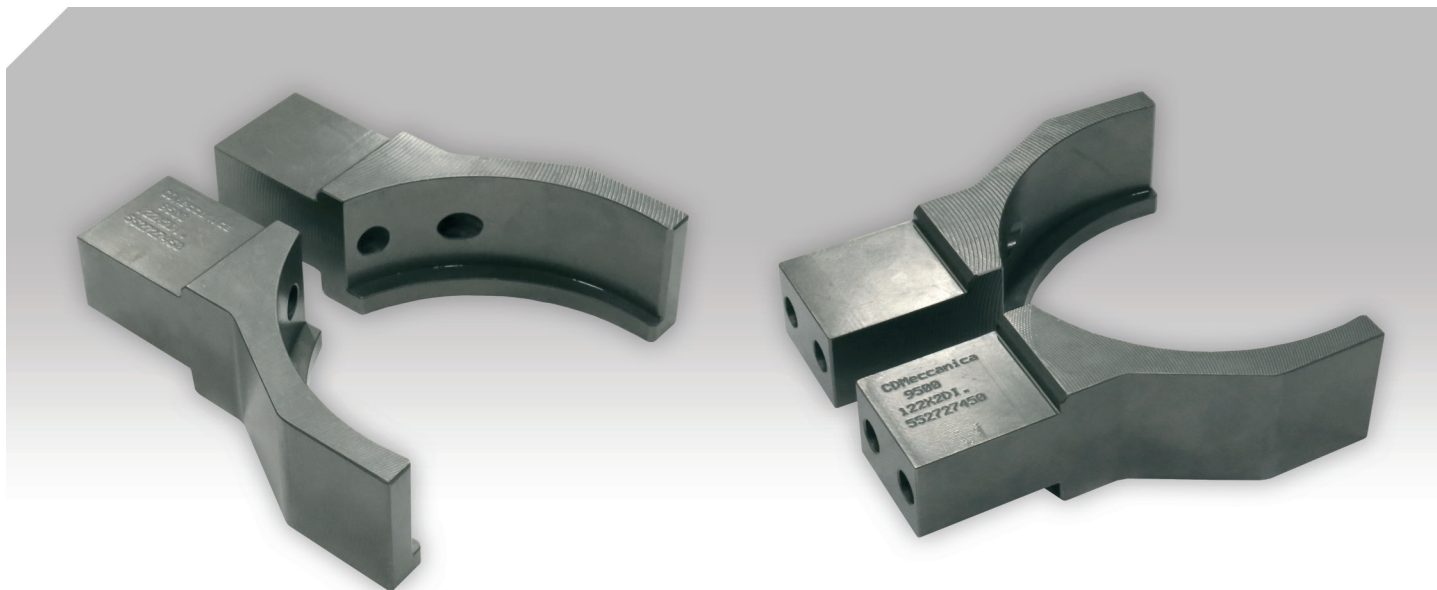
YOUTUBE VIDEO

- ▶ **morsetti speciali per manipolatori**
special finger jaws to be mounted on robot and gantry loading system **pag 166**
- ▶ **accessorio di appoggio con rilevamento pezzo**
bearing device with piece sensing **pag 167**
- ▶ **outlock**
for turning and grinding jaws **pag 168**
- ▶ **bride di trascinamento**
driving dogs **pag 170**
- ▶ **anelle per tornitura**
turning rings **pag 171**
- ▶ **stopbarr**
for maintaining constants set points **pag 172**
- ▶ **chiavi normali e di sicurezza per autocentranti e piattaforme**
standard and safety wrenches **pag 173**
- ▶ **bussole di riduzione**
reduction bushes **pag 174**
- ▶ **griffo il porta morsetti**
griffo the undercarriage for your jaws **pag 177**



morsetti speciali per manipolatori

special finger jaws to be mounted on robot and gantry loading system

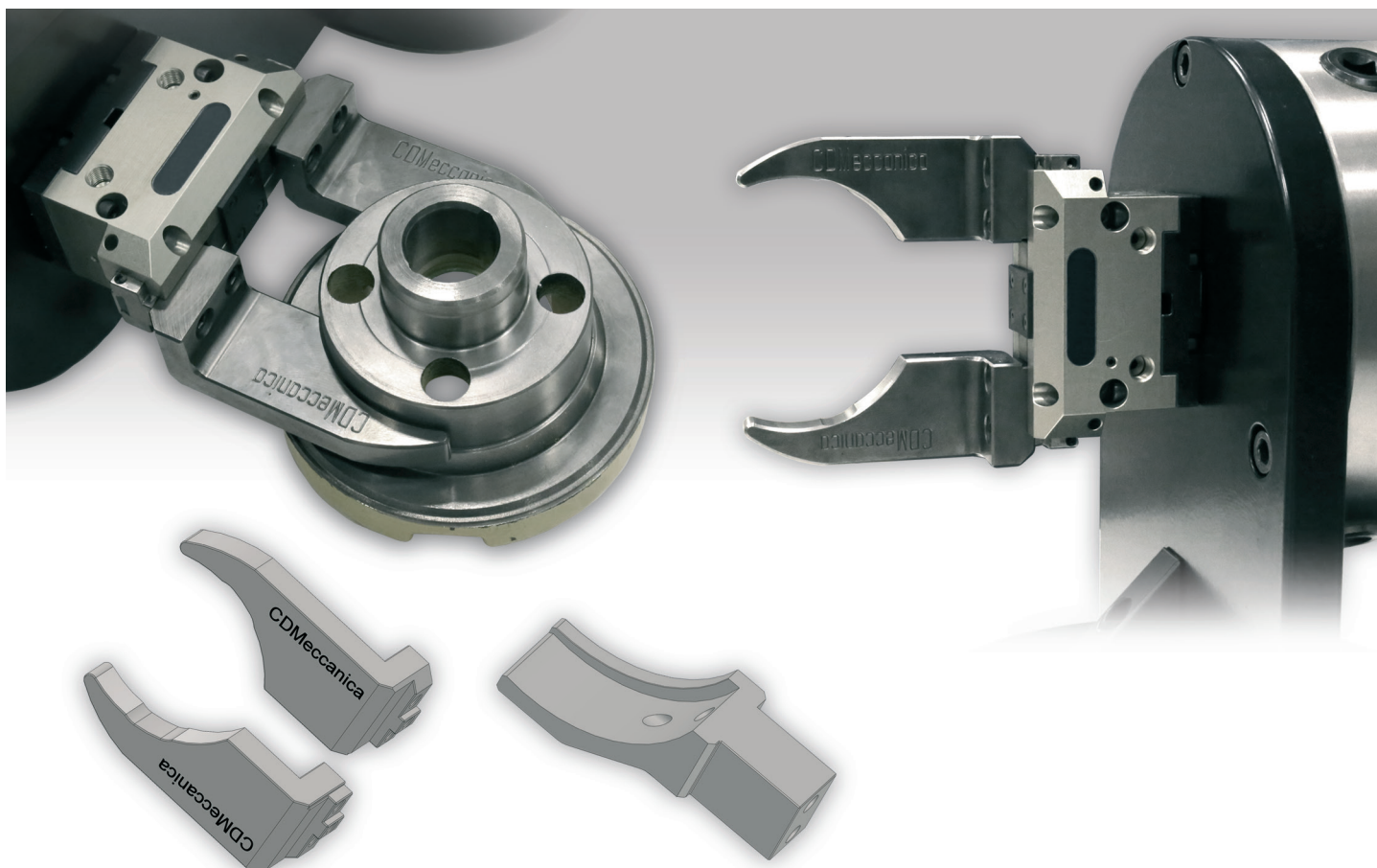


CDMeccanica con la sua continua ricerca di novità per migliorare le lavorazioni meccaniche ha messo a punto dei **Morsetti speciali per manipolatori** montabili su robot e portale.

I nostri morsetti speciali paralleli offrono una manipolazione sicura e precisa dei pezzi. Possono essere impiegati per pezzi con pesi di pochi grammi o diversi chilogrammi. Sono adatte a molte applicazioni specifiche della presa pezzo, migliorandone la funzionalità, l'affidabilità dei processi e della produttività.

CDMeccanica always looking for novelties for improving mechanical processes created **Special finger jaws** to be mounted on robot and gantry loading system.

Our special parallel jaws offer a safe and precise handling of workpieces. They can be used in workpieces with few grams and big kilograms weights. They are suitable to many specific applications of workpiece clamping, improving its functionality, process reliability and productivity.



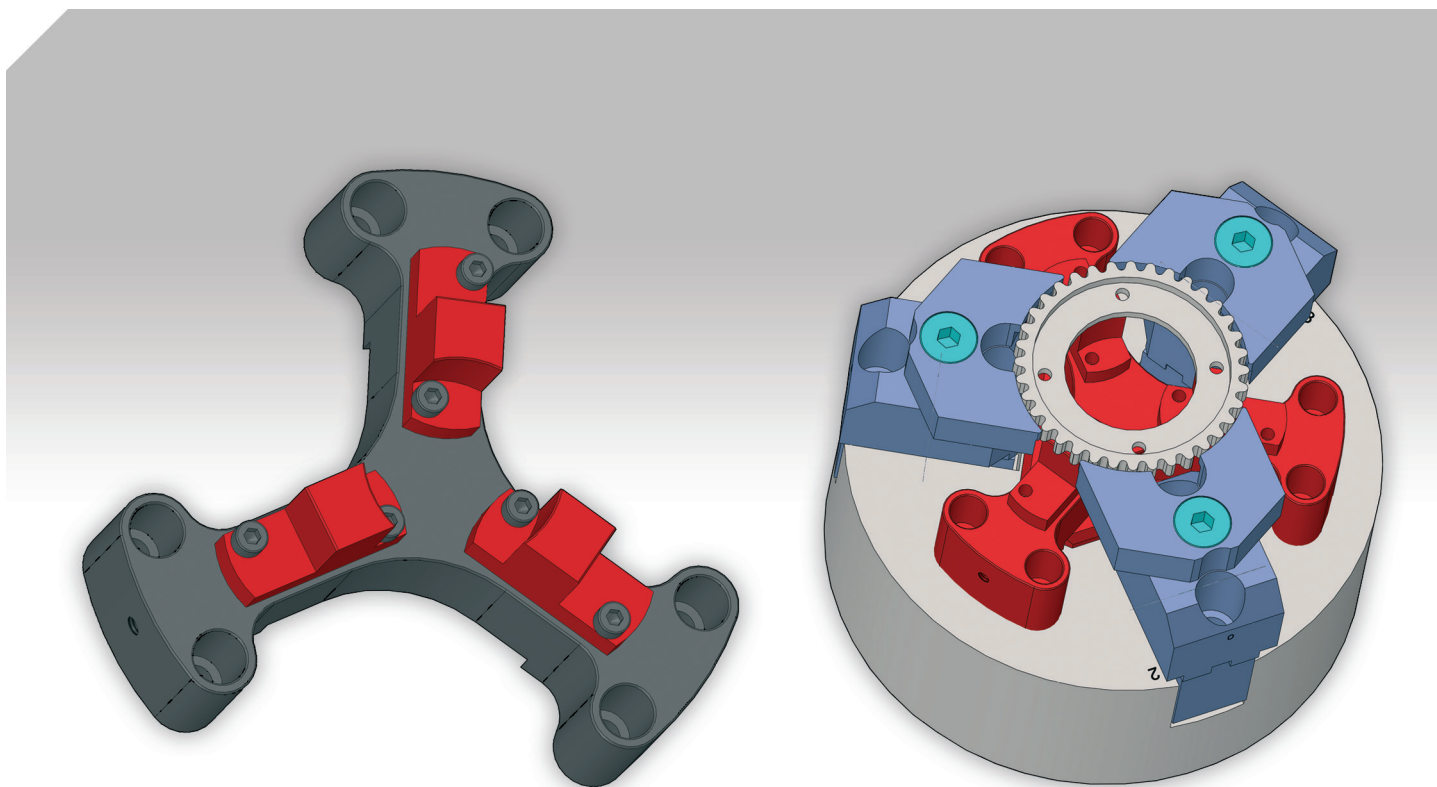
accessorio di appoggio con rilevamento pezzo bearing device with piece sensing

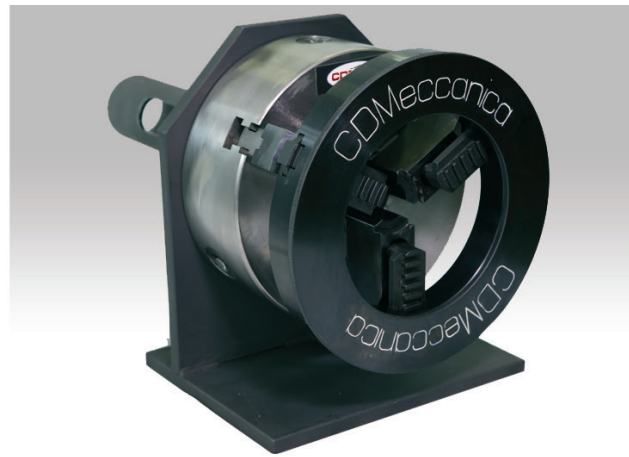


CDMeccanica con la sua continua ricerca di novità per migliorare le lavorazioni meccaniche ha messo a punto un **Accessorio di appoggio con rilevamento pezzo** da montare sui mandrini che hanno già integrato il passaggio dell'aria e/o refrigerante interno.

I suoi vantaggi si riassumono in meno scarti di lavorazione, dovuti alla mancata pulizia del pezzo o ad un errato montaggio, con meno rischi di collisione.

CDMeccanica always looking for novelities for improving mechanical processes created a **bearing device with piece sensing** to be mounted on those chucks which already have integrated air passage and/or internal coolant. Its advantages can be summarized in less machine shop rejections, due to missing workpiece cleaning or to a wrong mounting, and less impact risks.





Per la ottimizzazione delle lavorazioni di tornitura o rettifica dei blocchetti teneri in uso su tutte le macchine utensili dotate di mandrini autocentranti, CDMeccanica ha messo a punto il dispositivo **OUTLOCK**.

L'applicazione del dispositivo **OUTLOCK**:

- **elimina** ogni imprecisione della sede di presa del pezzo rendendola rigorosamente concentrica ed ortogonale all'asse di rotazione del mandrino;
- **favorisce** un grande risparmio di tempo nella preparazione dei blocchetti per la lavorazione della loro sede;
- **riduce** notevolmente il loro consumo per la facile e micrometrica regolabilità delle sue griffe;
- **permette** l'eliminazione totale dei giochi radiali ed assiali.

ART. 525 NC - 575 NC - 500

Questi attrezzi si diversificano dai normali "OUTLOCK" per la loro eccezionale e collaudata robustezza e sono stati ideati con queste peculiarità per rispondere alle esigenze di lavorazione dei torni a controllo numerico o di altre tornitrici. La loro funzionalità è provata quando sia necessario bloccare l'autocentrante con elevati carichi di serraggio (Kg. 13.000 circa), durante la fase operativa per creare o rigenerare le sedi di bloccaggio dei morsetti teneri.

The **OUTLOCK** device has been developed by CDMeccanica to afford faultless turning or grinding of the soft jaws applied on all machine tools including self-centering chucks.

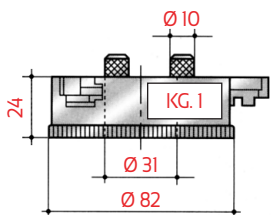
The use of the **OUTLOCK** device affords the following advantages:

- **elimination** of any stock clamping inaccuracy thanks to the strict concentricity and squareness achieved in relation to the spindle axis;
- **no waste of time** to prepare the jaws' lock slots machining;
- **remarkable wear reduction** owing to the easy and micrometric adjustment of the claws;
- **total elimination** of radial and axial end floats.

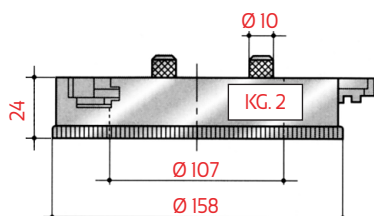
ART. 525 NC - 575 NC

These tools distinguish themselves from the standard "OUTLOCK" devices by their exceptional and thoroughly tested sturdiness. These special features have been developed to meet the requirements of digitally controlled turning processes. Their utility is especially recognized whenever the self-centering device is to be blocked under very heavy gripping conditions (about 13.000 Kg. units) either during the jaws' lock slots machining or re-setting stages.

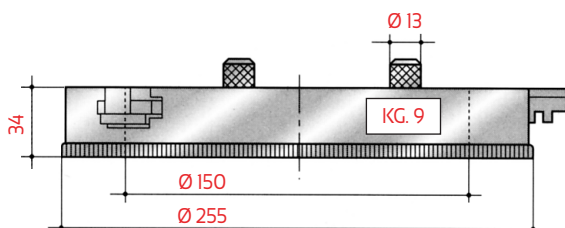




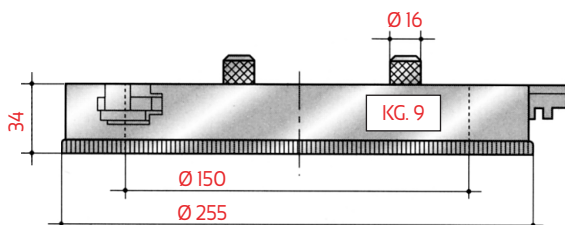
Il tipo 400 è integrativo dei tipi 450-500-550.
Type 400 integrates types 450-500-550.



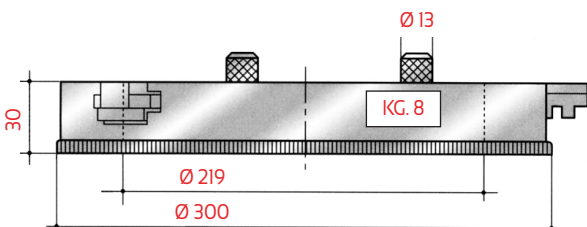
Il tipo 450 è utilizzabile per autocentranti fino a \varnothing 180 mm.
Type 450 can be used for chucks with diameters up to 180 mm (7").



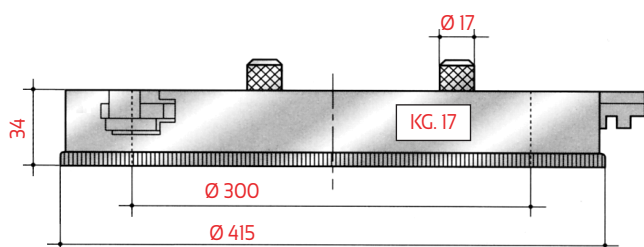
Il tipo 500 è utilizzabile per autocentranti da \varnothing 200 a 300 mm.
Type 500 can be used for chucks with diameters from 200 mm (7 7/8") to 300 mm (11 13/16").



Il tipo 525 NC è utilizzabile per autocentranti automatici da \varnothing 200 a 330 mm.
Type 525 NC can be used for automatic chucks with diameters from 200 mm (7 7/8") to 330 mm (13").



Il tipo 550 è utilizzabile per autocentranti da \varnothing 300 a 400 mm.
Type 550 can be used for chucks with diameters from 300 mm (11 13/16") to 400 mm (15 3/4").



Il tipo 575 NC è utilizzabile per autocentranti automatici da \varnothing 300 a 450 mm.
Type 575 NC can be used for automatic chucks with diameters from 300 mm (11 13/16") to 450 mm (17 3/4").

OUTLOCK 400

Diametro del campi di espansione con griffe in posizione:
Diameter of the expansion field with jaws in position:

NORMALE - NORMAL (I-2-3)	ROVESCIAE - REVERSED (A-B-C)	CARICO DI SERRAGGIO MAX MAX GRIP LOAD
DA 1 A 31 MM FROM 0.039" TO 1.3/16"	DA 90 A 115 MM FROM 3.9/16" TO 4.1/2"	KG 2.000 - 2.400

OUTLOCK 450

Diametro del campi di espansione con griffe in posizione:
Diameter of the expansion field with jaws in position:

NORMALE - NORMAL (I-2-3)	ROVESCIAE - REVERSED (A-B-C)	CARICO DI SERRAGGIO MAX MAX GRIP LOAD
DA 1 A 107 MM FROM 0.039" TO 4.3/16"	DA 159 A 220 MM FROM 6.1/4" TO 8.5/8"	KG 2.000 - 2.400

OUTLOCK 500

Diametro del campi di espansione con griffe in posizione:
Diameter of the expansion field with jaws in position:

NORMALE - NORMAL (I-2-3)	ROVESCIAE - REVERSED (A-B-C)	CARICO DI SERRAGGIO MAX MAX GRIP LOAD
DA 1 A 150 MM FROM 0.039" TO 5.7/8"	DA 256 A 345 MM FROM 10.1/16" TO 13.9/16"	KG 13.000

OUTLOCK 525 NC

Diametro del campi di espansione con griffe in posizione:
Diameter of the expansion field with jaws in position:

NORMALE - NORMAL (I-2-3)	ROVESCIAE - REVERSED (A-B-C)	CARICO DI SERRAGGIO MAX MAX GRIP LOAD
DA 1 A 150 MM FROM 0.039" TO 5.7/8"	DA 256 A 345 MM FROM 10.1/16" TO 13.9/16"	KG 13.000

OUTLOCK 550

Diametro del campi di espansione con griffe in posizione:
Diameter of the expansion field with jaws in position:

NORMALE - NORMAL (I-2-3)	ROVESCIAE - REVERSED (A-B-C)	CARICO DI SERRAGGIO MAX MAX GRIP LOAD
DA 1 A 219 MM FROM 0.039" TO 8.5/8"	DA 301 A 377 MM FROM 11.7/8" TO 14.7/8"	KG 2.000 - 2.400

OUTLOCK 575 NC

Diametro del campi di espansione con griffe in posizione:
Diameter of the expansion field with jaws in position:

NORMALE - NORMAL (I-2-3)	ROVESCIAE - REVERSED (A-B-C)	CARICO DI SERRAGGIO MAX MAX GRIP LOAD
DA 1 A 300 MM FROM 0.039" TO 11.13/16"	DA 415 A 700 MM FROM 16.15/16" TO 27.9/16"	KG 13.000

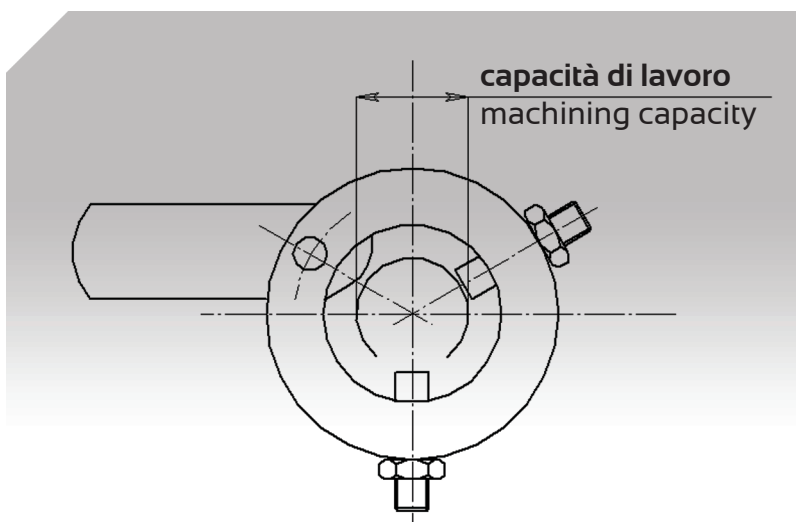


Le Bride di trascinamento a bloccaggio rapido servono per il trascinamento del pezzo da lavorare quando è fissato fra le due punte.

Il loro impiego risulta molto vantaggioso nelle lavorazioni di rettifica in serie. Infatti con la loro rapidità di apertura e di chiusura si riduce notevolmente il tempo di sostituzione del pezzo in macchina con conseguenti risparmi economici.

The fast-clamp driving dogs are used to pull the workpiece when it is fixed between two drills.

They are highly useful in mass grinding processes. In fact, their high-speed opening and closing allows a significant reduction in the time necessary for changing the piece on the machine tool, which also means cost savings.



codice articolo	capacità di lavoro
article code	machining capacity
BRI-0008	00-08
BRI-0816	08-16
BRI-1624	16-24
BRI-2432	24-32
BRI-3240	32-40
BRI-4048	40-48
BRI-4856	48-56
BRI-5664	56-64
BRI-6472	64-72
BRI-7280	72-80
BRI-8090	80-90
BRI-90100	90-100
BRI-100110	100-110
BRI-110120	110-120

Ricambi:

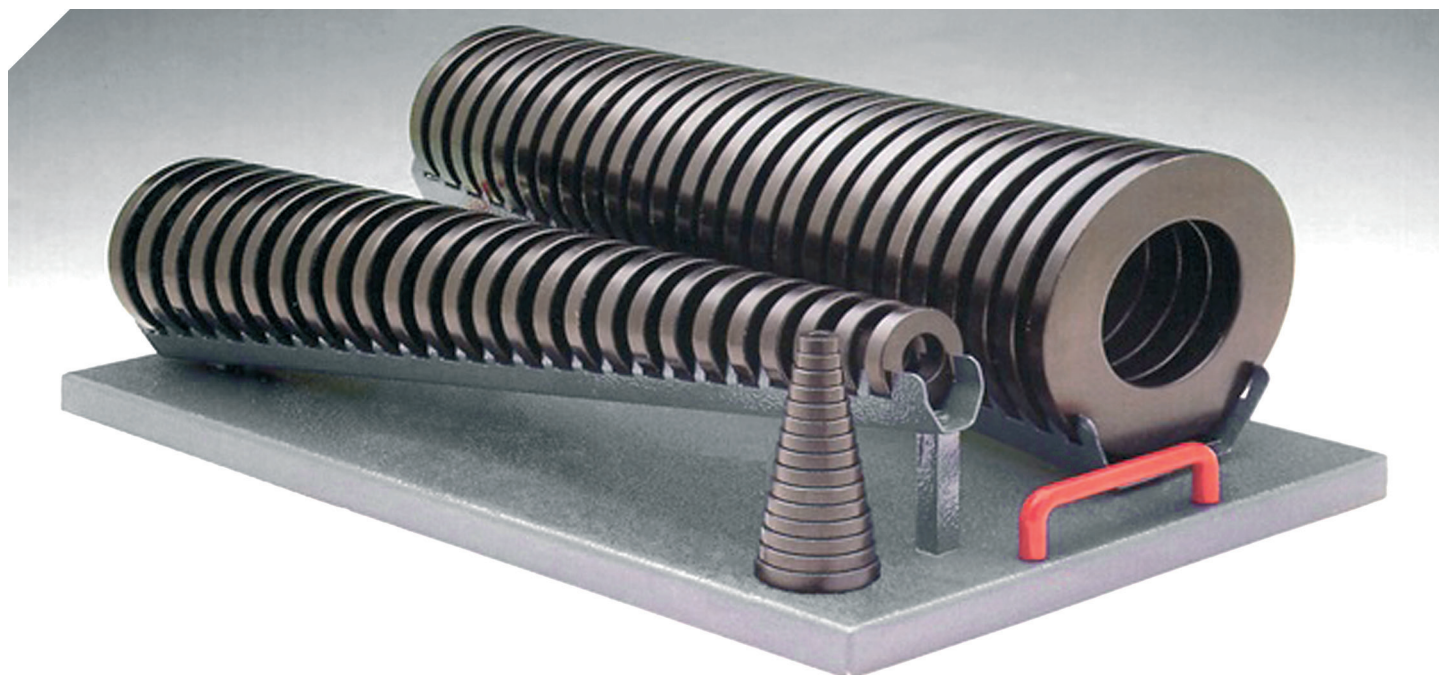
Sono disponibili come ricambi delle bride, la LEVA e la MOLLA

Nell'ordine citare il tipo di articolo

Spare parts:

LEVER and SPRINGS are available as spare parts

Specify the type of item when ordering



3 serie di anelli cementati e temprati:

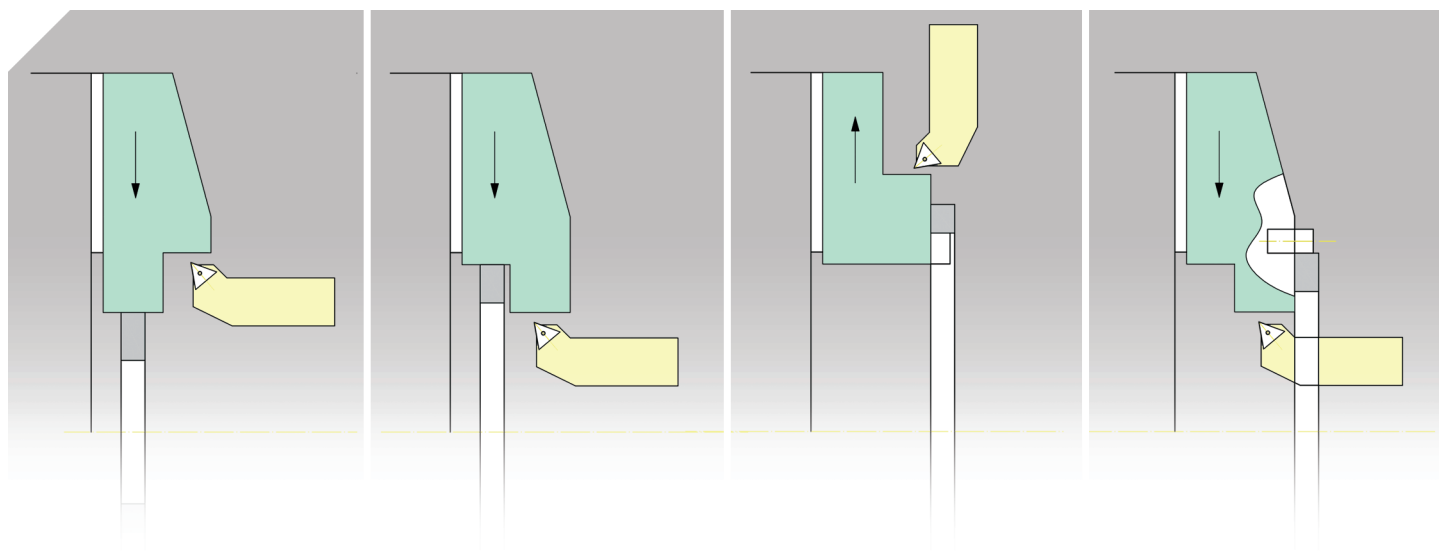
A	91 anelli da 10-100 mm (1 ogni mm)
B	46 anelli da 10-100 mm (1 ogni 2mm)
C	31 anelli da 100-160mm (1 ogni 2 mm)
D	67 anelli da 14-146mm (1 ogni 2 mm)

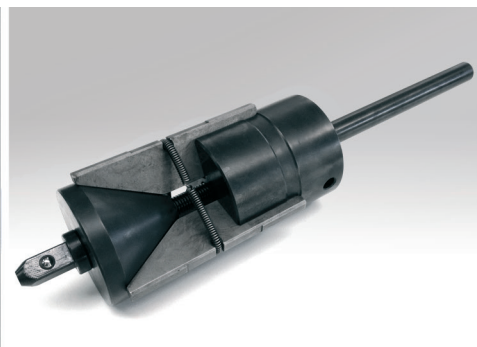
3 sets of hardened turning rings:

A	91 rings from 10-100 mm (1 every mm)
B	46 rings from 10-100 mm (1 every 2mm)
C	31 rings from 100-160mm (1 every 2 mm)
D	67 rings from 14-146mm (1 every 2 mm)

Esempi di utilizzo

Examples

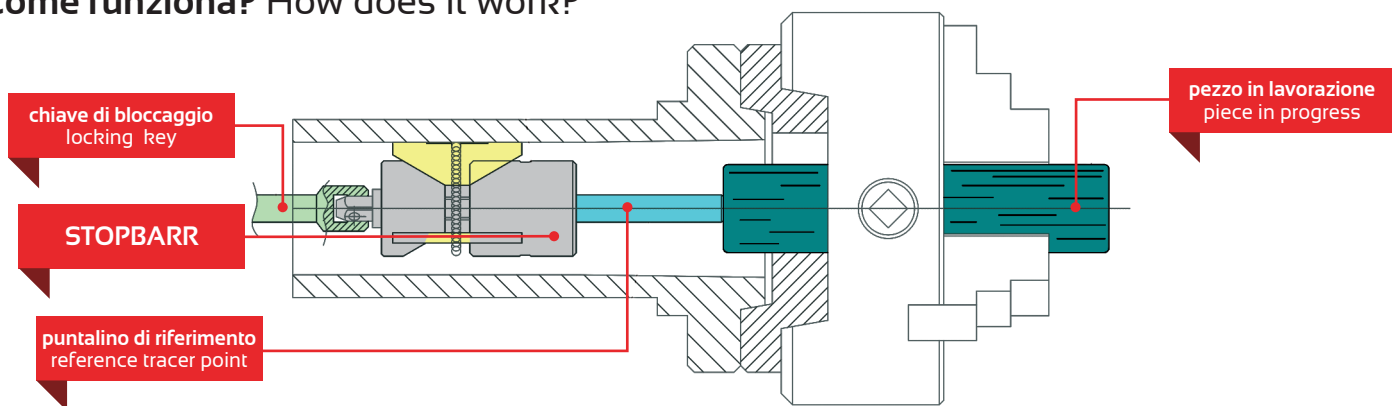




Lo **STOPBARR** è un accessorio indispensabile per mantenere costanti i riferimenti relativi a tutte le operazioni di tornitura o fresatura (quando si usa il divisore con autocentrante) nelle lavorazioni di pezzi di piccole e grandi serie, senza ulteriori misurazioni e con notevole risparmio di tempo.

STOPBARR is an indispensable accessory to maintain constant the set points of any turning or milling operation on pieces of small or big series (when using a divisor with chuck). Your pieces don't need to be measured and controlled after, and you save time!

Come funziona? How does it work?



Articolo	mm	Campo di regolazione	inches
Article	mm	Adjustment field	inches
181924	19 ÷ 24	from 3/4" to	15/16"
232433	24 ÷ 33	from 15/16" to	1 5/16"
283241	32 ÷ 41	from 1 1/4" to	1 5/8"
384152	41 ÷ 52	from 1 5/8" to	2 1/16"
485162	51 ÷ 62	from 2" to	2 7/16"
586282	62 ÷ 82	from 2 7/16" to	3 1/4"
707393	73 ÷ 93	from 2 7/8" to	3 11/16"
8393120	93 ÷ 120	from 3 11/16" to	4 23/32"
108117146	117 ÷ 146	from 4 5/8" to	5 3/4"

Istruzioni d'uso

Per montare l'accessorio STOPBARR è necessario introdurlo nell'albero cavo del mandrino del tornio o del divisore, sistemarlo nella posizione desiderata e ruotare in senso orario con la chiave speciale in dotazione fino a bloccarlo saldamente all'albero stesso.

Installation instructions

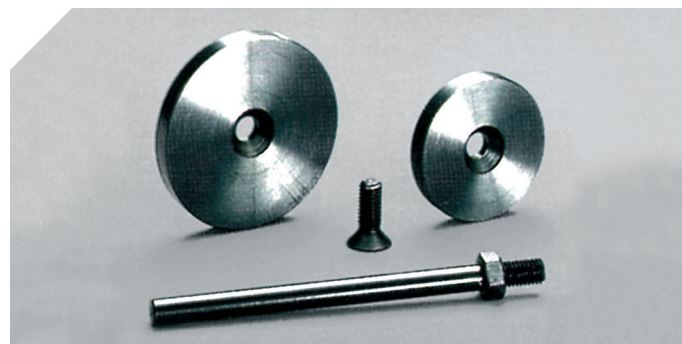
Introduce STOPBARR into the spindle shaft hole of the lathe or the divisor and lock it into the desired position by rotating in CW the special key (standard equipment).

Accessori a richiesta

- > Rondelle per tubi o profilati cavi.
- > Vite fissaggio rondelle.
- > Puntale per minuterie.

Accessories upon request

- > Washers for pipes or hollow sections.
- > Washer setscrews.
- > Push rod for small parts.



chiavi normali standard wrenches



chiavi di sicurezza safety wrenches



SOLO SU RICHIESTA
only on request

chiavi per autocentranti		chiavi per piattaforma		chiavi di sicurezza per mandrino autocentrante a comando manuale		chiavi di sicurezza per piattaforma a comando manuale	
wrenches for self-centering chucks		wrenches for faceplate		safety wrenches for manual self-centering chucks		safety wrenches for manual faceplates	
COD.	maschio - male	COD.	femmina - female	COD.	maschio - male	COD.	femmina - female
CH.AUT.Q6	Q mm. 6	CH.PIA.Q9	Q mm.9	CH.SIC.AUT.Q6	Q mm. 6	CH.SIC.PIA.Q9	Q mm.9
CH.AUT.Q7	Q mm. 7	CH.PIA.Q10	Q mm.10	CH.SIC.AUT.Q7	Q mm. 7	CH.SIC.PIA.Q10	Q mm.10
CH.AUT.Q8	Q mm. 8	CH.PIA.Q11	Q mm.11	CH.SIC.AUT.Q8	Q mm. 8	CH.SIC.PIA.Q11	Q mm.11
CH.AUT.Q9	Q mm. 9	CH.PIA.Q12	Q mm.12	CH.SIC.AUT.Q9	Q mm. 9	CH.SIC.PIA.Q12	Q mm.12
CH.AUT.Q9,5	Q mm. 9,5	CH.PIA.Q13	Q mm.13	CH.SIC.AUT.Q9,5	Q mm. 9,5	CH.SIC.PIA.Q13	Q mm.13
CH.AUT.Q10	Q mm. 10	CH.PIA.Q14	Q mm.14	CH.SIC.AUT.Q10	Q mm. 10	CH.SIC.PIA.Q14	Q mm.14
CH.AUT.Q11	Q mm. 11	CH.PIA.Q15	Q mm.15	CH.SIC.AUT.Q11	Q mm. 11	CH.SIC.PIA.Q15	Q mm.15
CH.AUT.Q12	Q mm. 12	CH.PIA.Q16	Q mm.16	CH.SIC.AUT.Q12	Q mm. 12*	CH.SIC.PIA.Q16	Q mm.16
CH.AUT.Q13	Q mm. 13	CH.PIA.Q17	Q mm.17	CH.SIC.AUT.Q13	Q mm. 13*	CH.SIC.PIA.Q17	Q mm.17
CH.AUT.Q14	Q mm. 14	CH.PIA.Q18	Q mm.18	CH.SIC.AUT.Q14	Q mm. 14*	CH.SIC.PIA.Q18	Q mm.18
CH.AUT.Q15	Q mm. 15	CH.PIA.Q19	Q mm.19	CH.SIC.AUT.Q15	Q mm. 15	CH.SIC.PIA.Q19	Q mm.19
CH.AUT.Q16	Q mm. 16	CH.PIA.Q20	Q mm.20	CH.SIC.AUT.Q16	Q mm. 16	CH.SIC.PIA.Q20	Q mm.20
CH.AUT.Q17	Q mm. 17	CH.PIA.Q22	Q mm.22	CH.SIC.AUT.Q17	Q mm. 17	CH.SIC.PIA.Q22	Q mm.22
CH.AUT.Q18	Q mm. 18	CH.PIA.Q23	Q mm.23	CH.SIC.AUT.Q18	Q mm. 18	CH.SIC.PIA.Q23	Q mm.23
CH.AUT.Q19	Q mm. 19	CH.PIA.Q24	Q mm.24	CH.SIC.AUT.Q19	Q mm. 19	CH.SIC.PIA.Q24	Q mm.24
CH.AUT.Q20	Q mm. 20	CH.PIA.Q25	Q mm.25	CH.SIC.AUT.Q20	Q mm. 20	CH.SIC.PIA.Q25	Q mm.25
CH.AUT.Q22	Q mm. 22			CH.SIC.AUT.Q22	Q mm. 22		

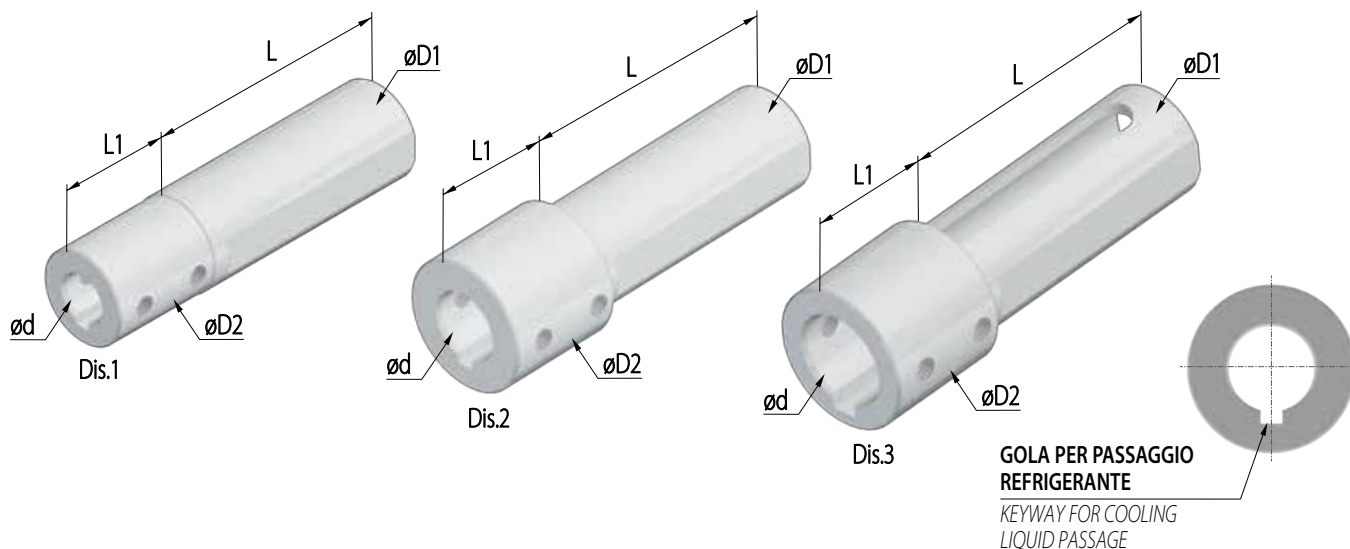
* Disponibili anche in versione corpo lungo 220mm
* Available also for long wrenches 220mm

chiavi lunghe per autocentranti l=220 mm	
long wrenches for self-centering chucks	
COD.	maschio - male
CH.AUT.CLQ10	Q mm. 10
CH.AUT.CLQ11	Q mm. 11
CH.AUT.CLQ12	Q mm. 12
CH.AUT.CLQ13	Q mm. 13
CH.AUT.CLQ14	Q mm. 14
CH.AUT.CLQ16	Q mm. 16

Eventuali tipi di chiavi sono costruiti a richiesta del cliente mediante invio di disegni o campionatura

Other possible kinds of wrenches will be produced upon the client request through sending of designs or samples

bussole con passaggio del refrigerante bushes with flow of cooling liquid



D=25 mm

CODICE /code	D1 h7	D2	d H7	L	L1	Rif.Ref.
BL 25-6	25	24,5	6	65	30	Dis.1
BL 25-8	25	24,5	8	65	30	Dis.1
BL 25-10	25	24,5	10	65	30	Dis.1
BL 25-12	25	24,5	12	65	30	Dis.1

BL 25-16	25	32	16	65	30	Dis.2
----------	----	----	----	----	----	-------

BL 25-20	25	32	20	65	30	Dis.3
----------	----	----	----	----	----	-------

D=40 mm

CODICE /code	D1 h7	D2	d H7	L	L1	Rif.Ref.
BL 40-6	40	31,5	6	65	30	Dis.1
BL 40-8	40	31,5	8	65	30	Dis.1
BL 40-10	40	31,5	10	65	30	Dis.1
BL 40-12	40	31,5	12	65	30	Dis.1
BL 40-14	40	31,5	14	65	30	Dis.1
BL 40-16	40	31,5	16	65	30	Dis.1

BL 40-18	40	47,5	18	65	30	Dis.2
----------	----	------	----	----	----	-------

BL 40-20	40	47,5	20	65	30	Dis.2
----------	----	------	----	----	----	-------

BL 40-25	40	47,5	25	65	30	Dis.2
----------	----	------	----	----	----	-------

BL 40-32	40	47,5	32	65	30	Dis.3
----------	----	------	----	----	----	-------

D=32 mm

CODICE /code	D1 h7	D2	d H7	L	L1	Rif.Ref.
BL 32-6	32	28	6	65	30	Dis.1
BL 32-8	32	28	8	65	30	Dis.1
BL 32-10	32	28	10	65	30	Dis.1
BL 32-12	32	28	12	65	30	Dis.1
BL 32-14	32	28	14	65	30	Dis.1
BL 32-16	32	28	16	65	30	Dis.1

BL 32-18	32	38	18	65	30	Dis.2
BL 32-20	32	38	20	65	30	Dis.2

BL 32-25	32	43	25	65	30	Dis.3
----------	----	----	----	----	----	-------

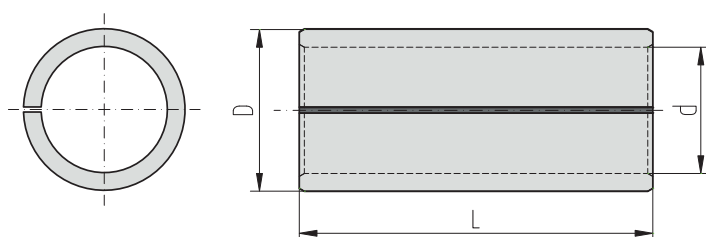
D=50 mm

CODICE /code	D1 h7	D2	d H7	L	L1	Rif.Ref.
BL 50-12	50	40	12	65	30	Dis.1
BL 50-14	50	40	14	65	30	Dis.1
BL 50-16	50	40	16	65	30	Dis.1
BL 50-18	50	40	18	65	30	Dis.1
BL 50-20	50	40	20	65	30	Dis.1
BL 50-25	50	40	25	65	30	Dis.1

BL 50-32	50	56	32	65	30	Dis.2
----------	----	----	----	----	----	-------

BL 50-40	50	56	40	65	30	Dis.3
----------	----	----	----	----	----	-------

bussole elastiche • elastic bushes



CODICE /code	D h7	d H7	L
BE-16-12-40	16	12	40
BE-20-16-50	20	16	50
BE-25-20-60	25	20	60
BE-32-25-70	32	25	70
BE-40-32-80	40	32	80
BE-50-40-90	50	40	90

bussole coniche e cilindriche di riduzione per bareni e punte conic & cylindric reduction bushes for boring bars and drills

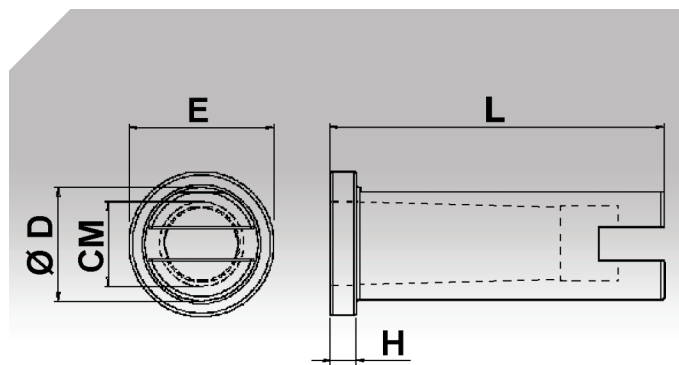


FIG. 1

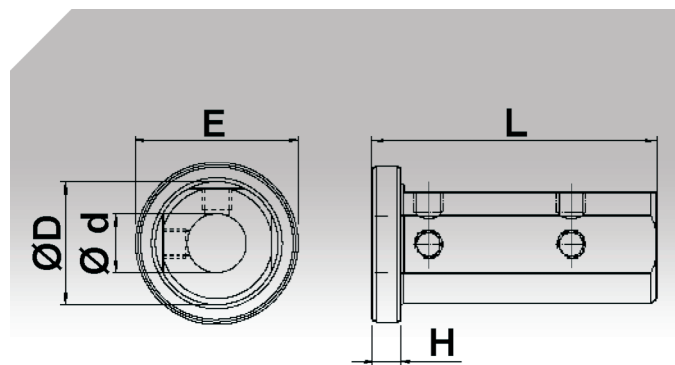


FIG. 2

Art.	D	d	CM	L	H	E	FIG.
B16-06-50	16	6	-	50	5	20	3
B16-08-50	16	8	-	50	5	20	3
B16-10-50	16	10	-	50	5	20	3
B16-12-50	16	12	-	50	5	20	3
B19,05-06-60	19,05	6	-	60	6	27	2
B19,05-08-60	19,05	8	-	60	6	27	2
B19,05-10-60	19,05	10	-	60	6	27	2
B19,05-12-60	19,05	12	-	60	10	27	3
B19,05-14-60	19,05	14	-	60	10	27	3
B19,05-16-60	19,05	16	-	60	10	27	3
B20-06-60	20	6	-	60	6	27	2
B20-08-60	20	8	-	60	6	27	2
B20-10-60	20	10	-	60	6	27	2
B20-12-60	20	12	-	60	10	27	3
B20-14-60	20	14	-	60	10	27	3
B20-16-60	20	16	-	60	10	27	3
B22-06-60	22	6	-	60	6	28	2
B22-08-60	22	8	-	60	6	28	2
B22-10-60	22	10	-	60	6	28	2
B22-12-60	22	12	-	60	6	28	3
B22-14-60	22	14	-	60	6	28	3
B22-16-60	22	16	-	60	6	28	3
B25-06-60	25	6	-	60	8	33	2
B25-08-60	25	8	-	60	8	33	2
B25-10-60	25	10	-	60	8	33	2
B25-12-60	25	12	-	60	8	33	2
B25-14-70	25	14	-	70	13	33	3
B25-16-70	25	16	-	70	13	33	3
B25-18-70	25	18	-	70	13	33	3
B25-20-70	25	20	-	70	13	33	3
BC25-01-65	25	-	1	65	6	33	1
BC25-02-78	25	-	2	78	8	33	1

Art.	D	d	CM	L	H	E	FIG.
B25,40-06-60	25,40	6	-	60	8	33	2
B25,40-08-60	25,40	8	-	60	8	33	2
B25,40-10-60	25,40	10	-	60	8	33	2
B25,40-12-60	25,40	12	-	60	8	33	2
B25,40-14-70	25,40	14	-	70	13	33	3
B25,40-16-70	25,40	16	-	70	13	33	3
B25,40-18-70	25,40	18	-	70	13	33	3
B25,40-20-70	25,40	20	-	70	13	33	3
BC25,40-01-65	25,40	-	1	65	6	33	1
BC25,40-02-78	25,40	-	2	78	8	33	1
B31,75-06-60	31,75	6	-	60	6	39	2
B31,75-08-70	31,75	8	-	70	8	39	2
B31,75-10-70	31,75	10	-	70	8	39	2
B31,75-12-70	31,75	12	-	70	8	39	2
B31,75-14-70	31,75	14	-	70	8	39	2
B31,75-16-70	31,75	16	-	70	8	39	2
B31,75-18-70	31,75	18	-	70	8	39	2
B31,75-20-70	31,75	20	-	70	8	39	2
B31,75-25-80	31,75	25	-	80	15	39	3
B32-06-60	32	6	-	60	6	39	2
B32-08-70	32	8	-	70	8	39	2
B32-10-70	32	10	-	70	8	39	2
B32-12-70	32	12	-	70	8	39	2
B32-14-70	32	14	-	70	8	39	2
B32-16-70	32	16	-	70	8	39	2
B32-18-70	32	18	-	70	8	39	2
B32-20-70	32	20	-	70	8	39	2
B32-25-80	32	25	-	80	15	39	3
BC32-01-65	32	-	1	65	6	39	1
BC32-02-78	32	-	2	78	8	39	1
BC32-03-97	32	-	3	97	8	39	1

bussole coniche e cilindriche di riduzione per bareni e punte conic & cylindric reduction bushes for boring bars and drills

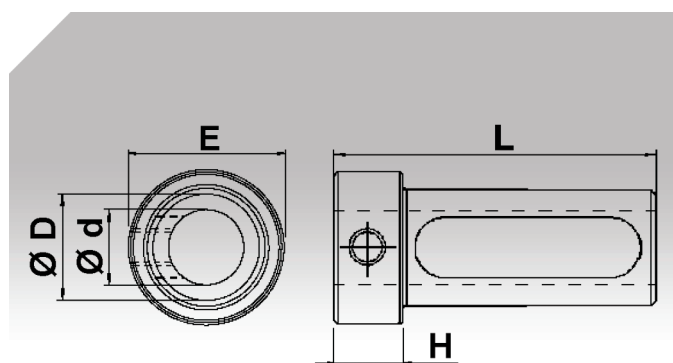
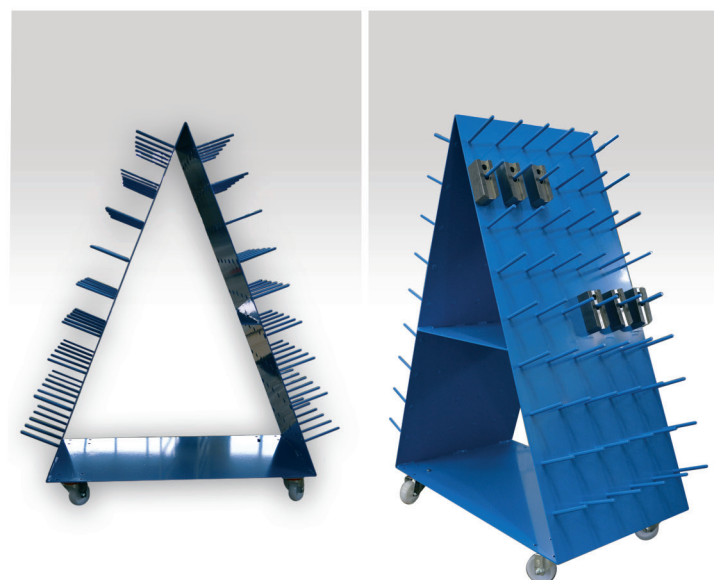
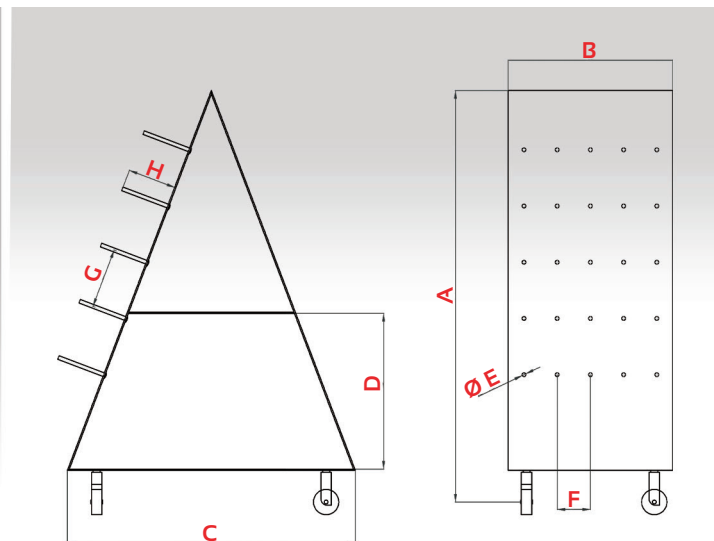
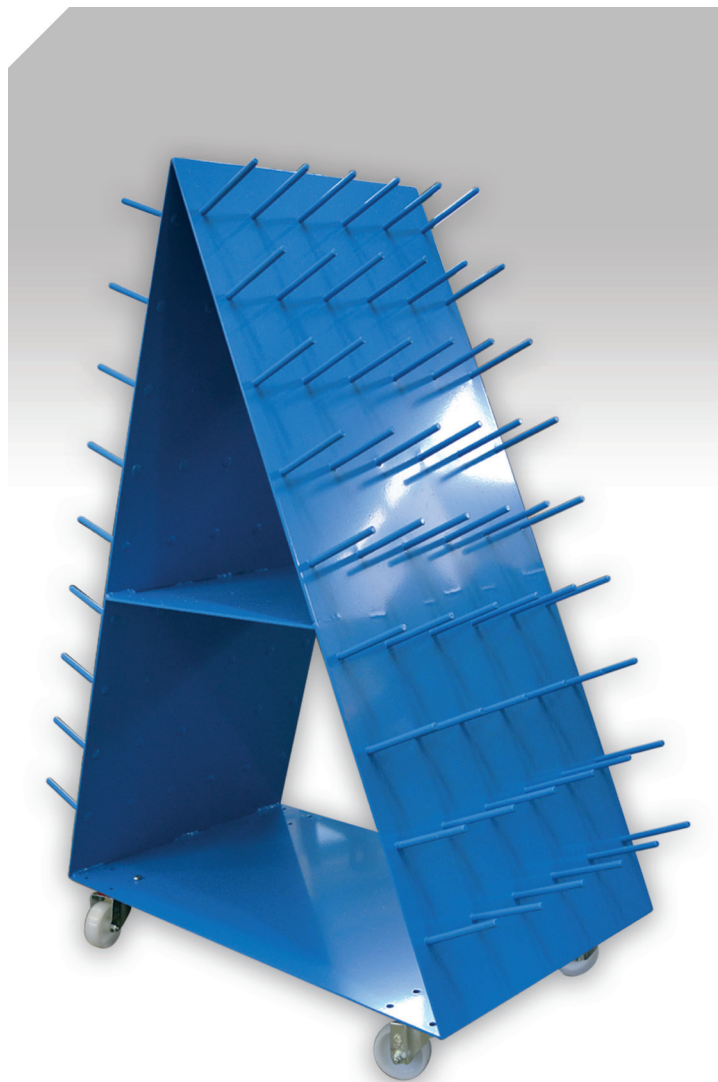


FIG. 3

Art.	D	d	CM	L	H	E	FIG.
B35-08-80	35	8	-	80	6	44	2
B35-10-80	35	10	-	80	6	44	2
B35-12-80	35	12	-	80	6	44	2
B35-16-80	35	16	-	80	6	44	2
B35-20-80	35	20	-	80	6	44	2
B35-25-80	35	25	-	80	6	44	2
B35-32-80	35	32	-	80	6	44	2
B40-06-60	40	6	-	60	6	49	2
B40-08-80	40	8	-	80	8	49	2
B40-10-80	40	10	-	80	8	49	2
B40-12-80	40	12	-	80	8	49	2
B40-14-80	40	14	-	80	8	49	2
B40-16-80	40	16	-	80	8	49	2
B40-18-80	40	18	-	80	8	49	2
B40-20-80	40	20	-	80	8	49	2
B40-25-80	40	25	-	80	8	49	2
B40-32-90	40	32	-	90	15	49	3
BC40-01-65	40	-	1	65	6	49	1
BC40-02-78	40	-	2	78	8	49	1
BC40-03-97	40	-	3	97	8	49	1
BC40-04-120	40	-	4	120	8	49	1
B45-08-80	45	8	-	80	6	54	2
B45-10-80	45	10	-	80	8	54	2
B45-12-80	45	12	-	80	8	54	2
B45-16-80	45	16	-	80	8	54	2
B45-20-80	45	20	-	80	8	54	2
B45-25-80	45	25	-	80	8	54	2
B45-32-80	45	32	-	80	8	54	3
B45-40-80	45	40	-	80	8	54	3

Art.	D	d	CM	L	H	E	FIG.
BC45-02-78	45	-	2	78	8	54	1
BC45-03-97	45	-	3	97	8	54	1
BC45-04-120	45	-	4	120	8	54	1
B50-08-90	50	8	-	90	8	59	2
B50-10-90	50	10	-	90	8	59	2
B50-12-90	50	12	-	90	8	59	2
B50-14-90	50	14	-	90	8	59	2
B50-16-90	50	16	-	90	8	59	2
B50-18-90	50	18	-	90	8	59	2
B50-20-90	50	20	-	90	8	59	2
B50-25-90	50	25	-	90	8	59	2
B50-32-90	50	32	-	90	8	59	2
B50-40-100	50	40	-	100	15	59	3
BC50-02-78	50	-	2	78	8	59	1
BC50-03-97	50	-	3	97	8	59	1
BC50-04-120	50	-	4	120	8	59	1
B60-12-97	60	12	-	97	8	69	2
B60-16-97	60	16	-	97	8	69	2
B60-20-97	60	20	-	97	8	69	2
B60-25-97	60	25	-	97	8	69	2
B60-32-97	60	32	-	97	8	69	2
B60-40-97	60	40	-	97	8	69	2
B60-50-97	60	50	-	97	8	69	2
BC60-02-78	60	-	2	78	8	49	1
BC60-03-97	60	-	3	97	8	49	1
BC60-04-120	60	-	4	120	8	49	1
BC60-05-155	60	-	5	155	8	49	1



Un nuovo amico per la tua officina.

Un utilissimo carrello porta morsetti che vi fara' risparmiare tempo e denaro. I vostri morsetti saranno sempre in ordine, sempre perfetti, sempre puliti e soprattutto sempre a portata di mano.

One new friend for your workshop.

A very useful jaws holder which will help you in saving moneys and time. Your jaws will always be in order, always perfect, clean and above all within your reach.

Griffo è disponibile in qualsiasi colore

Griffo is available in any colour you wish

Modello	N° Terze	A	B	C	D	E	F	G	H	Ø Mandrino	Ø Chuck
Model	Set									mm	inches
W	120	1300	520	910	500	Ø8	92	120	125	125/200	4"/8"
L	96	1300	520	910	500	Ø10	94	140	130	160/250	6"/12"
F	50	1300	520	910	500	Ø12	105	190	153	250/400	12"/15"
C	36	1300	520	910	500	Ø12	173	190	90	250/400	12"/15"



CDMeccanica S.r.l.

Via Caduti sul Lavoro, 661 - 41058 Vignola (MO) - ITALY

+39 059 705 071 - info@cdmeccanica.it

www.cdmeccanica.it

